



Vialsamplers

Agilent InfinityLab LC Series

User Manual



Notices

Document Information

Document No: SD-29000242 Rev. E
Part No: G7129-90010 Rev. E
EDITION 04/2020

Copyright

© Agilent Technologies, Inc. 2015-2020

No part of this manual may be reproduced in any form or by any means (including electronic storage and retrieval or translation into a foreign language) without prior agreement and written consent from Agilent Technologies, Inc. as governed by United States and international copyright laws.

Agilent Technologies
Hewlett-Packard-Strasse 8
76337 Waldbronn

Warranty

The material contained in this document is provided "as is," and is subject to being changed, without notice, in future editions. Further, to the maximum extent permitted by applicable law, Agilent disclaims all warranties, either express or implied, with regard to this manual and any information contained herein, including but not limited to the implied warranties of merchantability and fitness for a particular purpose. Agilent shall not be liable for errors or for incidental or consequential damages in connection with the furnishing, use, or performance of this document or of any information contained herein. Should Agilent and the user have a separate written agreement with warranty terms covering the material in this document that conflict with these terms, the warranty terms in the separate agreement shall control.

Technology Licenses

The hardware and/or software described in this document are furnished under a license and may be used or copied only in accordance with the terms of such license.

Restricted Rights Legend

U.S. Government Restricted Rights. Software and technical data rights granted to the federal government include only those rights customarily provided to end user customers. Agilent provides this customary commercial license in Software and technical data pursuant to FAR 12.211 (Technical Data) and 12.212 (Computer Software) and, for the Department of Defense, DFARS 252.227-7015 (Technical Data - Commercial Items) and DFARS 227.7202-3 (Rights in Commercial Computer Software or Computer Software Documentation).

Safety Notices

CAUTION

A **CAUTION** notice denotes a hazard. It calls attention to an operating procedure, practice, or the like that, if not correctly performed or adhered to, could result in damage to the product or loss of important data. Do not proceed beyond a **CAUTION** notice until the indicated conditions are fully understood and met.

WARNING

A **WARNING** notice denotes a hazard. It calls attention to an operating procedure, practice, or the like that, if not correctly performed or adhered to, could result in personal injury or death. Do not proceed beyond a **WARNING** notice until the indicated conditions are fully understood and met.

In This Book:

This manual covers the following modules:

- Agilent 1260 Infinity II Vialsampler (G7129A)
- Agilent 1290 Infinity II Vialsampler (G7129B)
- Agilent 1260 Infinity II Vialsampler (G7129C)

1 Introduction

This chapter gives an introduction to the module and instrument overview.

2 Site Requirements and Specifications

This chapter provides information on environmental requirements, physical and performance specifications.

3 Using the Module

This chapter provides information on how to use the module.

4 Preparing the Module

This chapter explains the operational parameters of the module.

5 Optimizing Performance

This chapter provides information on how to optimize the module.

6 Troubleshooting and Diagnostics

This chapter gives an overview of the maintenance, troubleshooting, and diagnostic features available for the Agilent InfinityLab Series Vialsampler.

7 Error Information

This chapter describes the meaning of error messages, and provides information on probable causes and suggested actions how to recover from error conditions.

8 Maintenance

This chapter describes the maintenance of the module.

9 Parts and Materials for Maintenance

This chapter provides information on parts for maintenance.

10 Identifying Cables

This chapter provides information on cables used with the Agilent 1200 Infinity Series modules.

11 Hardware Information

This chapter describes the detector in more detail on hardware and electronics.

12 LAN Configuration

This chapter provides information on connecting the module to the Agilent ChemStation PC.

13 Appendix

This chapter provides additional information on safety, legal and web.

Contents

1	Introduction	9
	Product Description (G7129A)	10
	Features (G7129A)	11
	Product Description (G7129B)	12
	Features (G7129B)	13
	Product Description (G7129C)	14
	Features (G7129C)	15
	Overview of the Module	16
	Operating Principle	18
	Leak and Waste Handling	27
2	Site Requirements and Specifications	33
	Site Requirements	34
	Physical Specifications	38
	Performance Specifications	39
	Specifications of the Sample Cooler	47
	Specifications of the Sample Thermostat	49
	Specifications of the Integrated Column Compartment	51
3	Using the Module	53
	Magnets	55
	Turn on/off	56
	Status Indicators	58
	Vial Drawers and Trays	59
	Choice of Vials and Caps	70
	Install the Optional Integrated Column Compartment	74
	Using the Optional Integrated Column Compartment	96
	Install the Optional Sample Cooler/Sample Thermostat	116
	Using the Optional Sample Cooler/Sample Thermostat	123
	Transporting the Sampler	132
	Agilent Local Control Modules	137

4	Preparing the Module	139
	Leak and Waste Handling	140
	Preparing the Module	141
	Solvent Information	142
	Capillary Color Coding Guide	149
	Installing Capillaries	150
	Flow Connections to the Vialsampler	152
	Setting up the Vialsampler	154
5	Optimizing Performance	166
	Optimization for Lowest Carryover	167
	Fast Injection Cycle and Low Delay Volume	171
	Precise Injection Volume	173
	Choice of Rotor Seal	175
6	Troubleshooting and Diagnostics	176
	Status Indicators	177
	Overview of Tests and Tools	178
	Maintenance and Troubleshooting Tools	179
	Diagnostic Tests	187
	Agilent Lab Advisor Software	189
7	Error Information	190
	What are Error Messages	192
	General Error Messages	193
	Vialsampler Error Messages	201
	Sample Cooler/Sample Thermostat Error Messages	213
	Integrated Column Compartment (ICC) Heater Error Messages	219

8 Maintenance 222

Introduction to Maintenance	223
Warnings and Cautions	224
Overview of Maintenance	226
Cleaning the Module	227
Remove and Install Doors	228
Exchange the Needle Assembly	229
Exchange the Needle Seat Assembly	235
Exchange the Sample Loop Assembly	241
Exchange the Rotor Seal	245
Exchange the Metering Seal and Piston	250
Replace the Analytical Heads	255
Exchange the Gripper Arm	258
Replace the Peristaltic Pump Cartridge	261
Exchange the Wash Port Assembly	263
Replace the Module Firmware	269
Replace the Sample Cooler/Sample Thermostat	270

9 Parts and Materials for Maintenance 275

Standard Parts For Maintenance	276
Accessory Kits	279
Vial Drawers and Trays	283
Multidraw Kits	286
Sample Thermostat Upgrade	287
Integrated Column Compartment	288
Column ID Upgrade Kit	289
Parts for 900 μ L Injection Upgrade	290
Cabinet and Door Kits	291
Analytical Head Assembly (100 μ L)	295
Analytical-Head Assembly (900 μ L)	296
Analytical Head Assembly (40 μ L)	297
2 Position/6 Port Injection Valve, 600 bar	298
2 Position/6 Port Injection Valve, 800 bar	299
2 Position/6 Port Injection Valve, 1300 bar	300

10	Identifying Cables	301
	Cable Overview	302
	Analog Cables	304
	Remote Cables	306
	CAN/LAN Cables	310
	RS-232 Cables	311
	USB	312
11	Hardware Information	313
	Firmware Description	314
	Electrical Connections	317
	Interfaces	319
	Setting the 6-bit Configuration Switch	326
	Instrument Layout	330
	Early Maintenance Feedback (EMF)	331
12	LAN Configuration	332
	What You Have to Do First	333
	TCP/IP parameter configuration	334
	Configuration Switches	335
	Initialization Mode Selection	336
	Dynamic Host Configuration Protocol (DHCP)	338
	Manual Configuration	341
	PC and Agilent ChemStation Setup	345
13	Appendix	354
	General Safety Information	355
	Waste Electrical and Electronic Equipment (WEEE) Directive	361
	Refrigerant	362
	Radio Interference	365
	Sound Emission	366
	Solvent Information	367
	Agilent Technologies on Internet	368

1

Introduction

Product Description (G7129A)	10
Features (G7129A)	11
Product Description (G7129B)	12
Features (G7129B)	13
Product Description (G7129C)	14
Features (G7129C)	15
Overview of the Module	16
Operating Principle	18
Sampling Sequence	18
Needle Parkstation	23
Hydraulic Box	24
Transport Assembly	26
Leak and Waste Handling	27
Leak Sensor	31
Waste Guidance	31
Waste Concept	32

This chapter gives an introduction to the module and instrument overview.

Product Description (G7129A)

The Agilent 1260 Infinity II Vialsampler is an autosampler designed for the reliability and ease-of-use needed for routine pharmaceutical tasks and quality control, as well as for environmental and food analyses. It can house optionally the integrated column compartment for two LC columns with temperature control up to 80 °C as well as a sample thermostat for stable temperatures from 4 °C to 40 °C, all within one module.

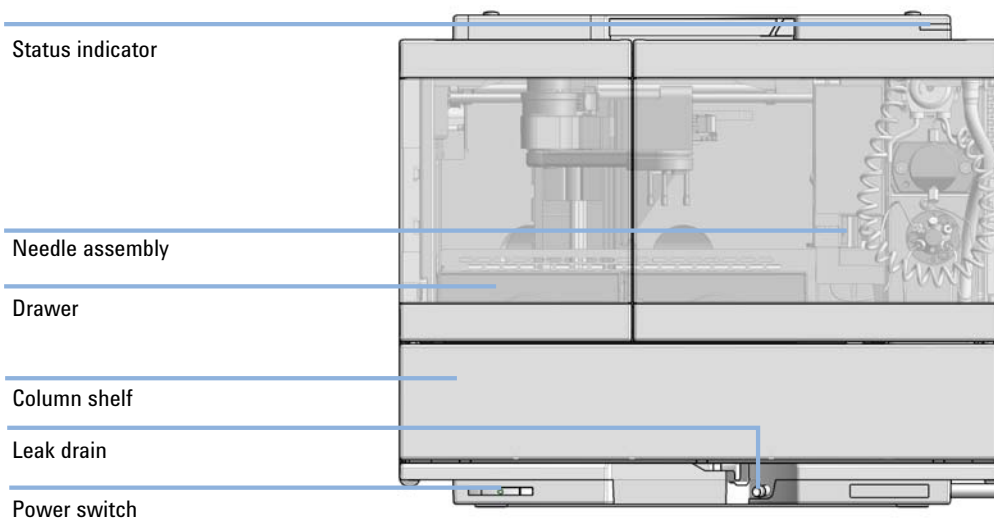


Figure 1 Overview of the Vialsampler

Features (G7129A)

- **High capacity** – up to 132 vials (2 mL) or up to 36 vials (6 mL).
- **Reliable injections** – 0.1 to 100 µL injections for up to 600 bar (G7129A) and up to 800 bar (G7129C).
- **Easy volume extensions** – for injection volumes up to 1800 µL for applications ranging from microbore to semipreparative chromatography.
- **Lowest carryover** – with an in needle flush port included, for rinsing the outside of the needle.
- **Efficient temperature control** – with an integrated column compartment as option or upgrade available. Which holds two columns up to 30 cm length, and provides heating capacity from 5 °C above ambient up to 80 °C for reproducible chromatography data at optimized resolution.
- **Integrated sample thermostat** – available as option or upgrade, providing cooling and heating in the range from 4 °C - 40 °C.
- **Low internal volume** – for minimum contribution to a system's total internal volume, which can be even further reduced using "bypass" mode.
- **Increased productivity** – with overlapped injections.
- **Customizable injection program** – available for customizing advanced injections as well as for sample preparation steps upfront injection.

Product Description (G7129B)

The Agilent 1290 Infinity II Vialsampler (G7129B) is an autosampler designed for UHPLC applications up to 1300 bar. It provides the reliability, safety, and ease-of-use needed for routine pharmaceutical tasks and quality control, as well as for environmental and food analyses. It can house optionally the integrated column compartment for two LC columns with temperature control up to 80 °C as well as a sample thermostat for stable temperatures from 4 °C to 40 °C, all within one module.

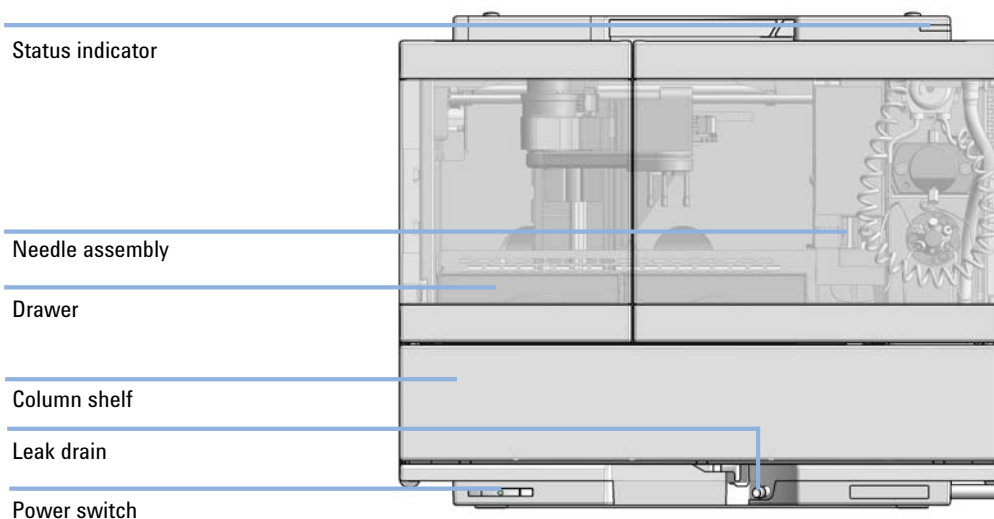


Figure 2 Overview of the Vialsampler

Features (G7129B)

- **Accurate and precise injections** - within a wide and flexible range of volumes
- **High capacity** - up to 132 vials (2 mL) or up to 36 vials (6 mL).
- **Easy volume extensions** - for injection volumes up to 1500 μ L for applications ranging from microbore to semipreparative chromatography.
- **Lowest carryover** - with an in needle flush port included, for rinsing the outside of the needle.
- **Efficient temperature control** - with an integrated column compartment as option or upgrade available. Which holds two columns up to 30 cm length, and provides heating capacity from 5 °C above ambient up to 80 °C for reproducible chromatography data at optimized resolution.
- **Integrated sample thermostat** - available as option or upgrade, providing cooling and heating in the range from 4 – 40 °C.
- **Low internal volume** - for minimum contribution to a system's total internal volume, which can be even further reduced using bypass mode.
- **Increased productivity** - with overlapped injections.
- **Customizable Injection program** - available for customizing advanced injections as well as for sample preparation steps upfront injection.

Product Description (G7129C)

The Agilent 1260 Infinity II Vialsampler is an autosampler designed for the reliability and ease-of-use needed for routine pharmaceutical tasks and quality control, as well as for environmental and food analyses. It can house optionally the integrated column compartment for two LC columns with temperature control up to 80 °C as well as a sample thermostat for stable temperatures from 4 °C to 40 °C, all within one module.

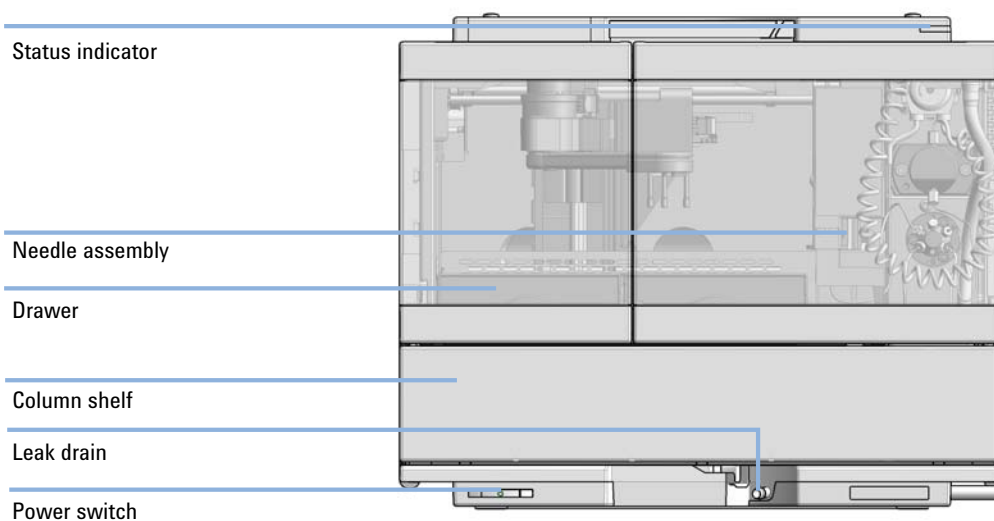


Figure 3 Overview of the Vialsampler

Features (G7129C)

- **High capacity** – up to 132 vials (2 mL) or up to 36 vials (6 mL).
- **Reliable injections** – 0.1 to 100 µL injections for up to 600 bar (G7129A) and up to 800 bar (G7129C).
- **Easy volume extensions** – for injection volumes up to 1800 µL for applications ranging from microbore to semipreparative chromatography.
- **Lowest carryover** – with an in needle flush port included, for rinsing the outside of the needle.
- **Efficient temperature control** – with an integrated column compartment as option or upgrade available. Which holds two columns up to 30 cm length, and provides heating capacity from 5 °C above ambient up to 80 °C for reproducible chromatography data at optimized resolution.
- **Integrated sample thermostat** – available as option or upgrade, providing cooling and heating in the range from 4 °C - 40 °C.
- **Low internal volume** – for minimum contribution to a system's total internal volume, which can be even further reduced using "bypass" mode.
- **Increased productivity** – with overlapped injections.
- **Customizable injection program** – available for customizing advanced injections as well as for sample preparation steps upfront injection.

Overview of the Module

The Agilent InfinityLab LC Series Vialsampler is designed for use with other modules of the Agilent InfinityLab LC Series, 1200 Series, and 1100 Series LC, as well as with other LC systems with adequate remote-control capabilities. The Vialsampler can be controlled from any computer with a suitable chromatography data system (for example, Agilent OpenLab CDS, MassHunter, etc.) or via an Agilent local control module (InfinityLab Companion or 1200 Infinity Series Instant Pilot).

The 1290 Infinity II Vialsampler (G7129B) can be operated at up to 1300 bar. The two 1260 Infinity II Vialsampler variants (G7129A and G7129C) are limited to a maximum system pressure of 600 and 800 bar, respectively.

The Vialsampler can accommodate two vial drawers, providing space for up to 132 samples. The two cartesian vial drawers allow for the use of either 66 × 2 mL or 18 × 6 mL vials. A pair of classic vial drawers with a numerical vial assignment system is also available, each capable of hosting 50 × 2 mL vials. The classic vial drawers are designed to ease method transfer from older Agilent samplers. The Vialsampler can also be equipped with an external tray, which can be beneficial for automation. The Agilent WalkUp solution fully supports the external tray.

The Vialsampler features a robotic gripper arm for the transport of vials, driven by four stepper motors to ensure the highest precision and flexibility for the transport movement.

The default configuration of the analytical head and sample loop allows an injection range from 0.1 – 20 µL for the 1290 Infinity II Vialsampler and 0.1 – 100 µL for the 1260 Infinity II Vialsamplers. An analytical head with extended volume is also available for injection volumes from 0.1 – 900 µL, and can be operated at up to 400 bar. With the Multidraw Kit, the maximum injection volume can even reach 1800 µL.

The 2-position/6-port injection valve is driven by a high-speed, hybrid stepper motor, ensuring smooth switching between the mainpass and bypass positions. Thanks to the flow-through design of the Vialsampler, the eluent continuously rinses the component parts of the sample introduction system. This, together with the automated needle wash function for rinsing the outer surface of the needle, ensures the lowest level of carryover for each analysis. For advanced delay volume reduction, the injection valve can be programmed to automatically switch back to the bypass position when the injection is completed.

Introduction

Overview of the Module

The Agilent InfinityLab Integrated Column Compartment, an optional upgrade for the Vialsampler, eliminates the need for having a standalone column thermostat in the LC stack. It has the heating capability of reaching temperatures up to 80 °C and can hold a total of two columns with maximum lengths of 30 cm.

For applications requiring control over the vial temperature, the Vialsampler can be equipped with the Agilent InfinityLab Sample Thermostat (G7167-60101). It features a vapor-compression refrigeration system and an electric heater, allowing the Vialsampler to reach vial temperatures down to 4 °C and up to 40 °C.

Operating Principle

Sampling Sequence

The Vialsampler processor continuously monitors the movements of the vialsampler components during the sampling sequence. The processor defines specific time windows and mechanical ranges for each movement. If a specific step of the sampling sequence can't be completed successfully, an error message is generated.

During the sampling sequence, the solvent bypasses the vialsampler via the injection valve. The gripper arm selects the sample vial, either from a static sample rack, or from external vial positions. The gripper arm places the sample vial below the injection needle. The required volume of sample is drawn into the sample loop by the metering device. Sample is applied to the column when the injection valve returns to the mainpass (main path) position at the end of the sampling sequence.

The sampling sequence occurs in the following order:

- 1 The injection valve switches to the bypass position.
- 2 The piston of the metering device moves to the initialization position.
- 3 The gripper arm moves from the home position, and selects the vial. At the same time, the needle lifts out of the seat.
- 4 The gripper moves into the needle station and stops in the draw position.¹
- 5 The needle lowers into the vial.
- 6 The metering device draws the defined sample volume.
- 7 The needle lifts out of the vial.
- 8 The gripper arm moves out slightly and stops in the wash position¹.
- 9 The needle moves downwards and dips into the wash well of the wash port. Simultaneously the peristaltic pump delivers the flush solvent.¹
- 10 The needle moves back.¹
- 11 The gripper arm moves out of the needle station and the wash port snaps back in position.

¹ only if automated needle wash is selected. If this feature is disabled, the gripper arm positions the sample vial directly below the needle (Step 4) and lowers the needle into the vial.

Introduction

Operating Principle

- 12 The gripper arm replaces the vial, and returns to the home position. Simultaneously, the needle lowers into the seat.
- 13 The injection valve switches to the mainpass (main path) position.

Injection Sequence

Before the start of the injection sequence, and during an analysis, the injection valve is in the mainpass (main path) position (see Figure 4 on page 19). In this position, the mobile phase flows through the autosamplers metering device, sample loop, and needle. This ensures that all parts in contact with sample are flushed during the run, thus minimizing carryover.

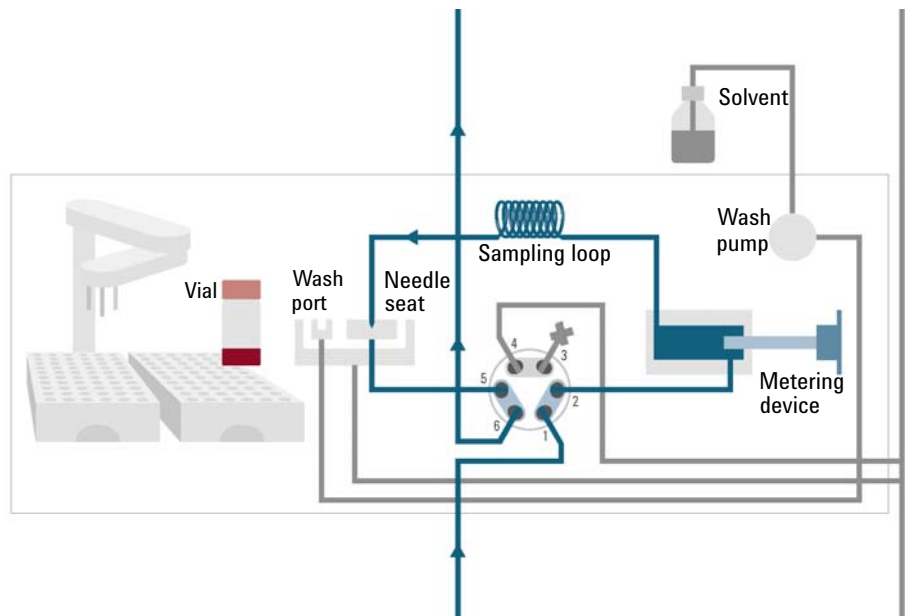


Figure 4 Mainpass (main path) Position - standard position during runs and when the sampler is idle

Introduction

Operating Principle

When the sample sequence begins, the valve unit switches to the bypass position (see Figure 5 on page 20). Solvent from the pump enters the valve unit at port 1, and flows directly to the column through port 6.

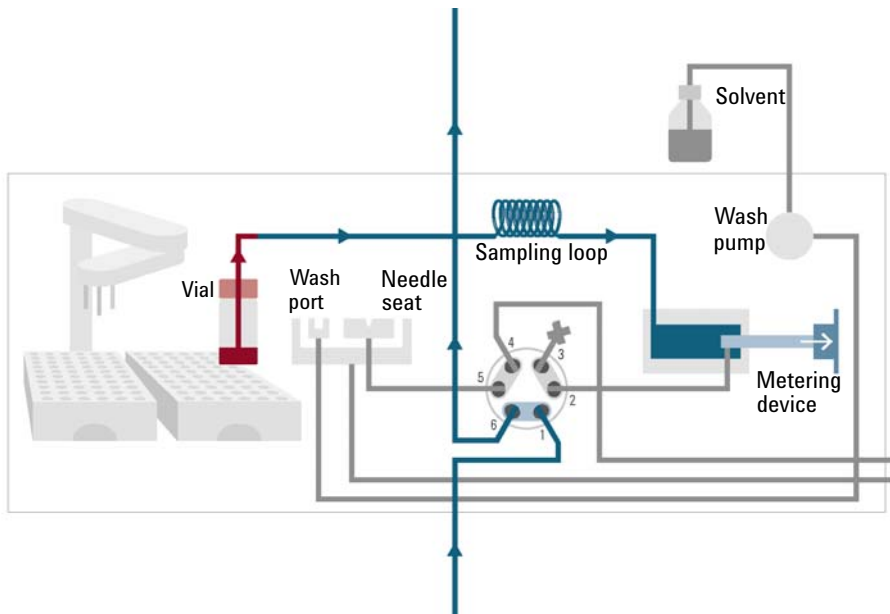


Figure 5 Valve in bypass - needle in vial, metering device aspirates sample volume

Introduction

Operating Principle

Then the vial is positioned below the needle. The needle moves down into the vial, the metering unit draws the required sample volume into the loop, and the needle is raised. In the next step, the needle is washed (see [Figure 6](#) on page 21).

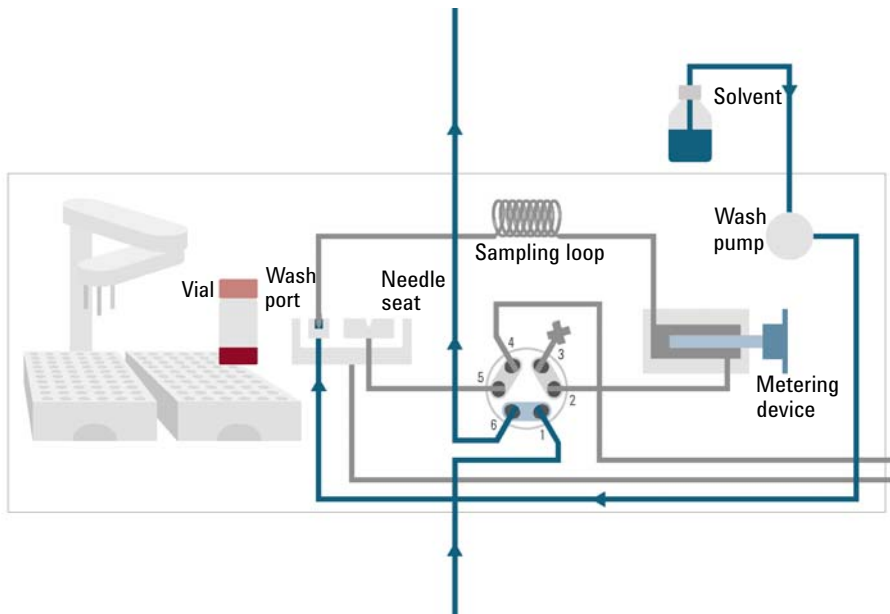


Figure 6 Outer face of needle getting washed in wash port

Introduction

Operating Principle

When the metering unit has drawn the required volume of sample into the sample loop, the vial is replaced in the sample tray. The wash port flips into the origin position, the needle is lowered into the needle seat, and the injection valve switches back to mainpass (main path) position, flushing the sample onto the column (see [Figure 7](#) on page 22).

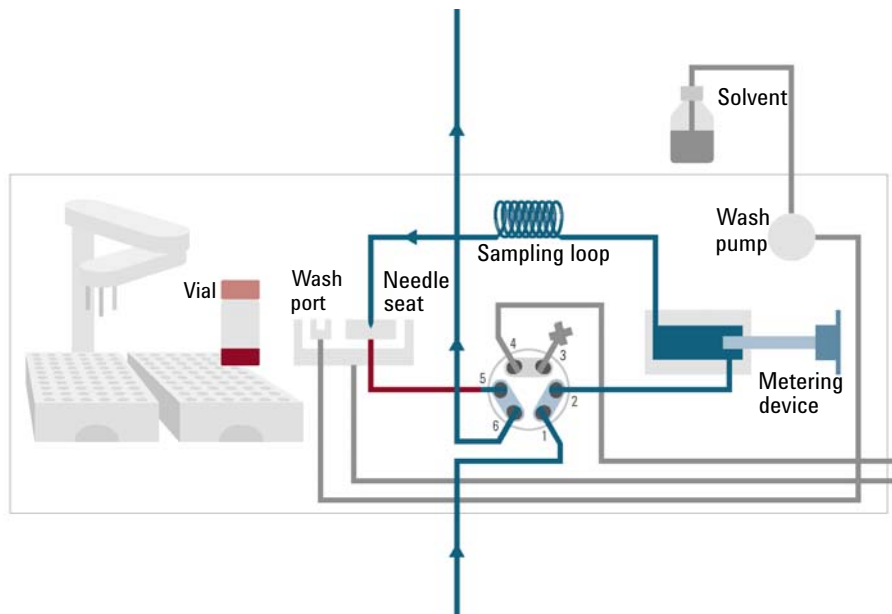


Figure 7 Valve switches to mainpass (main path) - sample is transferred towards the LC column

Needle Parkstation

The needle parkstation comprises two main assemblies: needle drive and wash port.

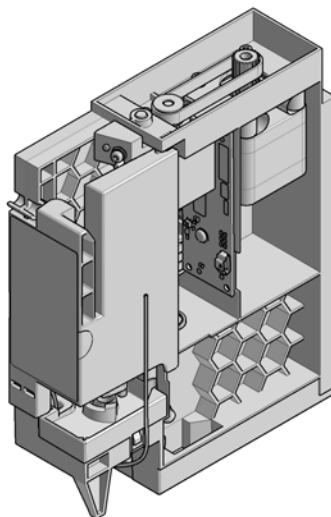


Figure 8 Needle Station

Needle-Drive

The needle movement is driven by a stepper motor connected to the spindle assembly by a toothed belt. The circular motion of the motor is converted to linear motion by the drive nut on the spindle assembly. The upper and lower needle positions are detected by reflection sensors on the needle station board, while the needle-in-vial position is determined by counting the motor steps from the upper needle-sensor position.

Hydraulic Box

The hydraulic box comprises two main assemblies: metering device, and injection valve.

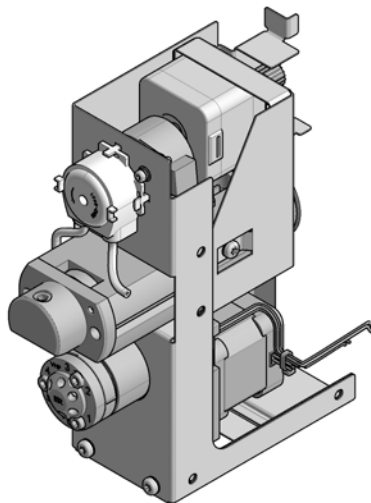


Figure 9 Hydraulic Unit

NOTE

The replacement hydraulic box excludes the injection valve and metering head assemblies.

Analytical Head

The analytical head is driven by the stepper motor that is connected to the drive shaft by a toothed belt. The drive nut on the spindle converts the circular movement of the spindle to linear motion. The drive nut pushes the sapphire piston against the tension of the spring into the analytical head. The base of the piston sits on the large bearing of the drive nut, which ensures the piston is always centered. A ceramic ring guides the movement of the piston in the analytical head. The home position of the piston is sensed by an optical sensor on the hydraulic unit board while the sample volume is determined by counting the number of steps from the home position. The backward movement of the piston (driven by the spring) draws sample from the vial.

Injection Valve

The two-position 6-port injection valve is driven by a stepper motor. Only five of the six ports are used (port 3 is not used). A lever/slider mechanism transfers the movement of the stepper motor to the injection valve. Two microswitches monitor switching of the valve (bypass and mainpass (main path) end positions). No valve adjustments are required after replacing internal components.

Transport Assembly

The transport unit comprises an X-axis slide (left-right motion), a Z-axis arm (up-down motion), and a gripper assembly (rotation and vial-gripping).

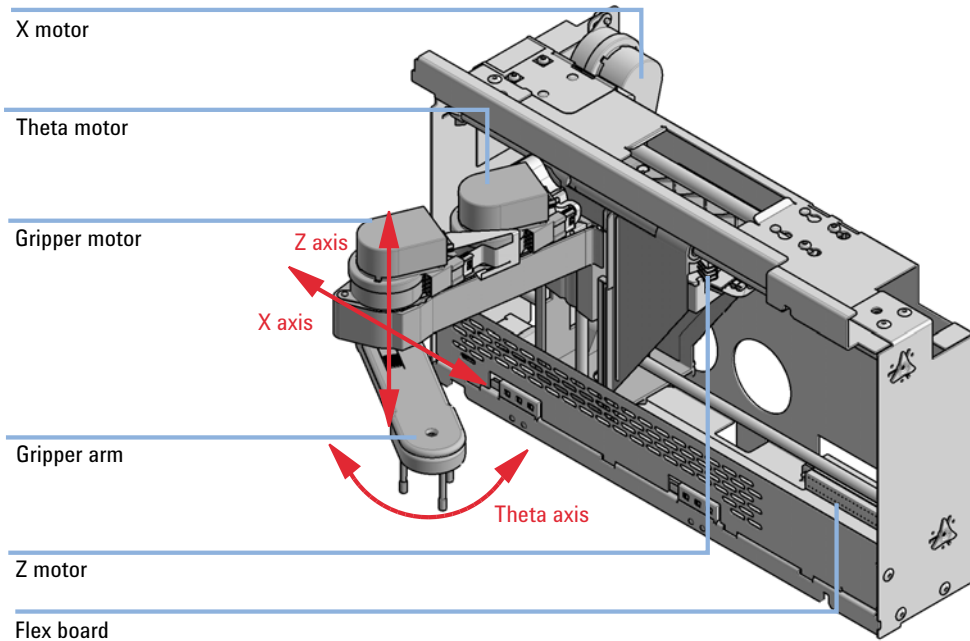


Figure 10 Transport Assembly

The transport assembly uses four stepper motors driven in closed-loop mode for accurate positioning of the gripper assembly. The rotational movement of the motors is converted to linear motion (X- and Z-axes) by toothed belts connected to the drive spindles. The rotation (theta axes) of the gripper assembly is transferred from the motor by a toothed belt and series of gears. The opening and closing of the gripper fingers are driven by a stepper motor linked by a toothed belt to the planetary gearing inside the gripper assembly.

The stepper motor positions are determined by the optical encoders mounted onto the stepper-motor housing. The encoders monitor the position of the motors continually, and correct for position errors automatically (e.g. if the gripper is accidentally moved out of position when loading vials into the vial tray). The initialization positions of the moving components are sensed by reflection sensors mounted on the flex board. These positions are used by the processor to calculate the actual motor position. An additional six reflection sensors for tray recognition are mounted on the flex board at the front of the assembly.

Leak and Waste Handling

The Agilent InfinityLab LC Series has been designed for safe leak and waste handling. It is important that all security concepts are understood and instructions are carefully followed.

The solvent cabinet is designed to store a maximum volume of 8 L solvent. The maximum volume for an individual bottle stored in the solvent cabinet should not exceed 2 L. For details, see the usage guideline for the Agilent Infinity II Solvent Cabinets (a printed copy of the guideline has been shipped with the solvent cabinet, electronic copies are available on the Internet).

All leak plane outlets are situated in a consistent position so that all Infinity and Infinity II modules can be stacked on top of each other. Waste tubes are guided through a channel on the right hand side of the instrument, keeping the front access clear from tubes.

The leak plane provides leak management by catching all internal liquid leaks, guiding them to the leak sensor for leak detection, and passing them on to the next module below, if the leak sensor fails. The leak sensor in the leak plane stops the running system as soon as the leak detection level is reached.

Solvent and condensate is guided through the waste channel into the waste container:

- from the detector's flow cell outlet
- from the Multisampler needle wash port
- from the Sample Cooler or Sample Thermostat (condensate)
- from the pump's Seal Wash Sensor (if applicable)
- from the pump's Purge Valve or Multipurpose Valve

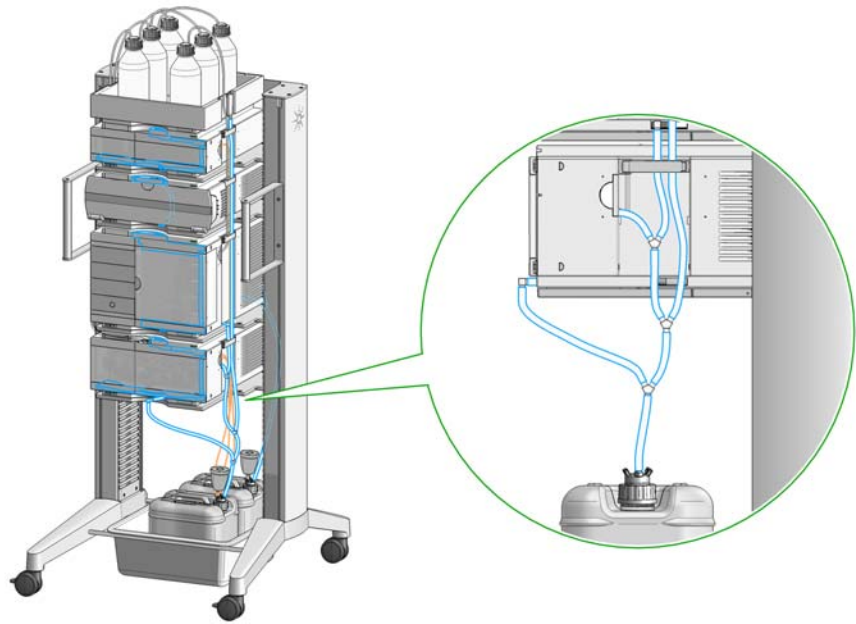


Figure 11 Infinity II Leak Waste Concept (Flex Bench installation)

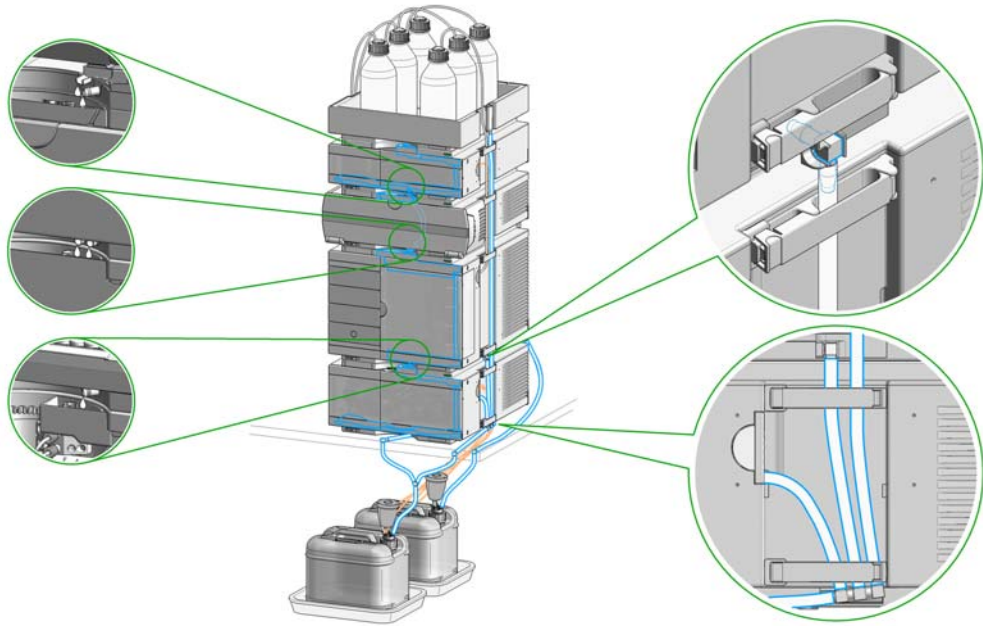


Figure 12 Infinity II Single Stack Leak Waste Concept (bench installation)

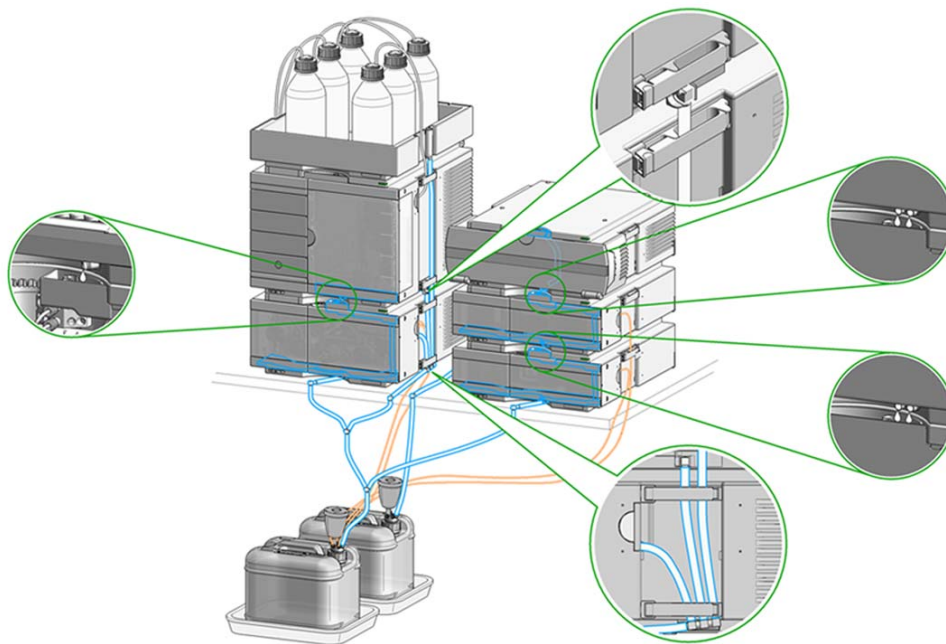


Figure 13 Infinity II Two Stack Leak Waste Concept (bench installation)

The waste tube connected to the leak plane outlet on each of the bottom instruments guides the solvent to a suitable waste container.

Leak Sensor

CAUTION

Solvent incompatibility

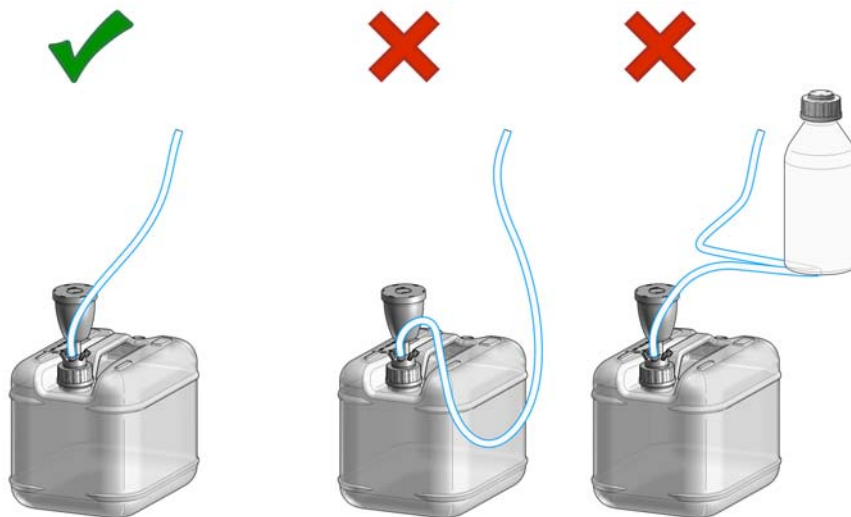
The solvent DMF (dimethyl formamide) leads to corrosion of the leak sensor. The material of the leak sensor, PVDF (polyvinylidene fluoride), is incompatible with DMF.

- ✓ Do not use DMF as mobile phase.
- ✓ Check the leak sensor regularly for corrosion.

NOTE

The leak sensor in the sampler is hidden under the ICC Column Heater or Column Shelf respectively.

Waste Guidance



NOTE

The waste drainage must go straight into the waste containers. The waste flow must not be restricted at bends or joints.

Waste Concept

- 1 Agilent recommends using the 6 L waste can with 1 Stay Safe cap GL45 with 4 ports (5043-1221) for optimal and safe waste disposal. If you decide to use your own waste solution, make sure that the tubes don't immerse in the liquid.





2

Site Requirements and Specifications

Site Requirements	34
Physical Specifications	38
Performance Specifications	39
Performance Specifications (G7129A)	39
Performance Specifications (G7129B)	42
Performance Specifications (G7129C)	45
Specifications of the Sample Cooler	47
Specifications of the Sample Thermostat	49
Specifications of the Integrated Column Compartment	51

This chapter provides information on environmental requirements, physical and performance specifications.

Site Requirements

Site Requirements

A suitable environment is important to ensure optimum performance of the instrument.

Power Considerations

The module power supply has wide ranging capability. It accepts any line voltage in the range described in [Table 1](#) on page 38. Consequently there is no voltage selector in the rear of the module. There are also no externally accessible fuses, because automatic electronic fuses are implemented in the power supply.

WARNING

Hazard of electrical shock or damage of your instrumentation can result, if the devices are connected to a line voltage higher than specified.

- ✓ Connect your instrument to the specified line voltage only.

WARNING

Electrical shock hazard

The module is partially energized when switched off, as long as the power cord is plugged in.

The cover protects users from personal injuries, for example electrical shock.

- ✓ Do not open the cover.
- ✓ Do not operate the instrument and disconnect the power cable in case the cover has any signs of damage.
- ✓ Contact Agilent for support and request an instrument repair service.

WARNING

Inaccessible power plug.

In case of emergency it must be possible to disconnect the instrument from the power line at any time.

- ✓ Make sure the power connector of the instrument can be easily reached and unplugged.
- ✓ Provide sufficient space behind the power socket of the instrument to unplug the cable.

Power Cords

Country-specific power cords are available for the module. The female end of all power cords is identical. It plugs into the power-input socket at the rear. The male end of each power cord is different and designed to match the wall socket of a particular country or region.

Agilent makes sure that your instrument is shipped with the power cord that is suitable for your particular country or region.

WARNING**Unintended use of power cords**

Using power cords for unintended purposes can lead to personal injury or damage of electronic equipment.

- ✓ Never use a power cord other than the one that Agilent shipped with this instrument.
- ✓ Never use the power cords that Agilent Technologies supplies with this instrument for any other equipment.
- ✓ Never use cables other than the ones supplied by Agilent Technologies to ensure proper functionality and compliance with safety or EMC regulations.

WARNING**Absence of ground connection**

The absence of ground connection can lead to electric shock or short circuit.

- ✓ Never operate your instrumentation from a power outlet that has no ground connection.

WARNING**Electrical shock hazard**

Solvents may damage electrical cables.

- ✓ Prevent electrical cables from getting in contact with solvents.
 - ✓ Exchange electrical cables after contact with solvents.
-

Room Size and Ventilation

WARNING**Flammable refrigerant**

Formation of flammable gas-air mixtures inside the Sample Thermostat and laboratory.

- ✓ Keep open fire or sources of ignition away from the device.
- ✓ Ensure a room size of 4 m³ (1 m³ for every 8 g of R600a refrigerant inside of the Sample Thermostat).
- ✓ Ensure adequate ventilation: typical air exchange of 25 m³/h per m² of laboratory floor area.
- ✓ Keep all ventilation openings in the enclosure clear of obstructions. Do not block the openings on the circumference of the Sample Thermostat.

Bench Space

The module dimensions and weight (see [Table 1](#) on page 38) allow you to place the module on almost any desk or laboratory bench. It needs an additional 2.5 cm (1.0 inches) of space on either side and approximately 8 cm (3.1 inches) in the rear for air circulation and electric connections.

If the bench shall carry a complete HPLC system, make sure that the bench is designed to bear the weight of all modules.

The module should be operated in a horizontal position, especially if a Sample Cooler or Sample Thermostat is installed. Use a bubble level to check the leveling of the sampler.

NOTE

Agilent recommends that you install the HPLC instrument in the InfinityLab Flex Bench rack. This option helps to save bench space as all modules can be placed into one single stack. It also allows to easily relocate the instrument to another laboratory.

WARNING**Heavy weight**

The module is heavy.

- ✓ Carry the module at least with 2 people.
 - ✓ Avoid back strain or injury by following all precautions for lifting heavy objects.
 - ✓ Ensure that the load is as close to your body as possible.
 - ✓ Ensure that you can cope with the weight of your load.
-

Condensation

CAUTION**Condensation within the module**

Condensation can damage the system electronics.

- ✓ Do not store, ship or use your module under conditions where temperature fluctuations could cause condensation within the module.
 - ✓ If your module was shipped in cold weather, leave it in its box and allow it to warm slowly to room temperature to avoid condensation.
-

Physical Specifications

Table 1 Physical Specifications G7129A, G7129B, G7129C

Type	Specification	Comments
Weight	19 kg (41.9 lbs)	w/o sample thermostat
Dimensions (height x width x depth)	320 x 396 x 468 mm (12.8 x 15.6 x 18.4 inches)	
Line voltage	100 – 240 V~, ± 10 %	Wide-ranging capability
Line frequency	50 or 60 Hz, ± 5 %	
Power consumption	350 VA, 350 W, 1195 BTU/h	
Ambient operating temperature	4 - 40 °C (39 - 104 °F); without sample thermostat up to 55 °C (131 °F)	
Ambient non-operating temperature	-40 – 70 °C (-40 – 158 °F)	
Humidity	< 95 % r.h. at 40 °C (104 °F) ¹	Non-condensing
Operating altitude	Up to 3000 m (9842 ft)	
Safety standards: IEC, EN, CSA, UL	Installation category II, Pollution degree 2	For indoor use only.
ISM Classification	ISM Group 1 Class B	According to CISPR 11
Permitted solvents	Boiling point ≥56 °C (133 °F). Auto-ignition temperature ≥200 °C (394 °F).	

¹ If a sample thermostat is included the upper value for humidity can be reduced. Please check your lab conditions to stay beyond dew point values for non-condensing operation.

Performance Specifications

Performance Specifications (G7129A)

Table 2 Performance Specifications G7129A

Type	Specification	Comments	Method/Conditions
Injection range	0.1 – 100 µL in 0.1 µL increments with 100 µL up to 60 MPa 0.1 – 900 µL in 0.1 µL increments with 900 µL up to 40 MPa	Up to 1800 µL with multiple draw (hardware modification required) Requires 900 µL analytical head	
Injection precision	<0.25 % RSD of peak areas from 5 µL to 100 µL	Measured caffeine	
Pressure range	0 – 60 MPa (0 – 600 bar, 0 – 8702 psi) 0 – 40 MPa (0 – 400 bar, 0 – 5801 psi)	for 900 µL Analytical Head	
Sample viscosity range	0.2 – 5.0 cP		
Sample capacity	132 x 2 mL vial (two trays default) 100 x 2 mL vial (two classic trays optional) 36 x 6 mL vials (two trays optional)		

Table 2 Performance Specifications G7129A

Type	Specification	Comments	Method/Conditions
Carryover	<0.004 % (40 ppm) with needle wash		Using the following conditions: <ul style="list-style-type: none"> • Column: Agilent Pursuit XRs 3 C18, 2.0 x 50 mm • Mobile Phase: <ul style="list-style-type: none"> • A: 0.1 % TFA in water • B: 0.1 % TFA in acetonitrile • Isocratic : %B = 40 % • Flow rate: 0.5 mL/min • Temperature: Ambient • Wavelength: 257/4 nm • Injection volume: 1 µL • Sample: 1200 ng/µL Chlorhexidine for UV (dissolved with mobile phase A), 1 µL injected and measured with Agilent UV detector • Wash solution: H₂O with 0.1 % TFA (3 s)
Injection cycle time	18 s for draw speed 200 µL/min Ejection speed: 200 µL/min Injection volume: 1 µL		
Minimum sample volume	1 µL from 5 µL sample in 100 µL microvial, or 1 µL from 10 µL sample in 300 µL microvial.	Needle height offset has to be adapted to ensure that needle doesn't touch vial bottom. Default needle height = 0 equates to 2 mm above the vial bottom.	
Instrument Control	LC & CE Drivers A.02.12 or above Instrument Control Framework (ICF) A.02.03 or above Instant Pilot (G4208A) with firmware B.02.19 or above Lab Advisor B.02.07 or above	For details about supported software versions refer to the compatibility matrix of your version of the LC & CE Drivers	
Communication	Controller Area Network (CAN), Local Area Network (LAN) ERI: ready, start, stop and shut-down signals		

Table 2 Performance Specifications G7129A

Type	Specification	Comments	Method/Conditions
Maintenance and safety-related features	Extensive diagnostics, error detection and display with Agilent Lab Advisor software Leak detection, safe leak handling, leak output signal for shutdown of pumping system, and low voltages in major maintenance areas		
GLP features	Early maintenance feedback (EMF) for continuous tracking of instrument usage with user-settable limits and feedback messages. Electronic records of maintenance and errors.		
Housing	All materials recyclable.		

Performance Specifications (G7129B)

Table 3 Performance Specifications G7129B

Type	Specification	Comments	Method/Conditions
Injection range	0.1 – 20 μ L in 0.1 μ L increments (default) 0.1 – 40 μ L in 0.1 μ L increments (if 40 μ L loop is installed) 0.1 – 120 μ L in 0.1 μ L increments with 1290 Infinity large volume injection kit (hardware modification required) 0.1 – 100 μ L in 0.1 μ L (if 100 μ L loop and 100 μ L head is installed)	Up to 1500 μ L (with 1400 μ L multi-draw kit and 100 μ L analytical head) up to 130 MPa (1300 bar, 18854 psi) up to 60 MPa (600 bar, 8702 psi)	
Injection precision	<0.25 % RSD of peak areas from 5 μ L to 100 μ L	Measured caffeine	
Pressure range	Up to 130 MPa (1300 bar, 18854 psi)		
Sample viscosity range	0.2 – 5.0 cP		
Sample capacity	132 x 2 mL vial (two trays default) 100 x 2 mL vial (two classic trays optional) 36 x 6 mL vials (two trays optional)		

Table 3 Performance Specifications G7129B

Type	Specification	Comments	Method/Conditions
Carryover	<0.004 % (40 ppm) with needle wash		Using the following conditions: <ul style="list-style-type: none"> • Column: Agilent Pursuit XRs 3 C18, 2.0 x 50 mm • Mobile Phase: <ul style="list-style-type: none"> • A: 0.1 % TFA in water • B: 0.1 % TFA in acetonitrile • Isocratic : %B = 40 % • Flow rate: 0.5 mL/min • Temperature: Ambient • Wavelength: 257/4 nm • Injection volume: 1 µL • Sample: 1200 ng/µL Chlorhexidine for UV (dissolved with mobile phase A), 1 µL injected and measured with Agilent UV detector • Wash solution: H₂O with 0.1 % TFA (3 s)
Injection cycle time	18 s for draw speed 200 µL/min Ejection speed: 200 µL/min Injection volume: 1 µL		
Minimum sample volume	1 µL from 5 µL sample in 100 µL microvial, or 1 µL from 10 µL sample in 300 µL microvial.	Needle height offset has to be adapted to ensure that needle doesn't touch vial bottom. Default needle height = 0 equates to 2 mm above the vial bottom.	
Instrument control	LC & CE Drivers A.02.12 or above Instrument Control Framework (ICF) A.02.03 or above Instant Pilot (G4208A) with firmware B.02.19 or above Lab Advisor B.02.07 or above	For details about supported software versions refer to the compatibility matrix of your version of the LC & CE Drivers	
Communication	Controller Area Network (CAN), Local Area Network (LAN), ERI: ready, start, stop and shut-down signals		

Table 3 Performance Specifications G7129B

Type	Specification	Comments	Method/Conditions
Maintenance and safety-related features	Extensive diagnostics, error detection and display with Agilent Lab Advisor software Leak detection, safe leak handling, leak output signal for shutdown of pumping system, and low voltages in major maintenance areas		
GLP features	Early maintenance feedback (EMF) for continuous tracking of instrument usage with user-settable limits and feedback messages. Electronic records of maintenance and errors.		
Housing	All materials recyclable.		

Performance Specifications (G7129C)

Table 4 Performance Specifications G7129C

Type	Specification	Comments	Method/Conditions
Injection range	0.1 – 100 µL in 0.1 µL increments with 100 µL up to 80 MPa	Up to 1800 µL with multiple draw (hardware modification required)	
Injection precision	<0.25 % RSD of peak areas from 5 µL to 100 µL	Measured caffeine	
Pressure range	0 – 80 MPa (0 – 800 bar, 0 – 11603 psi)		
Sample viscosity range	0.2 – 5.0 cP		
Sample capacity	132 x 2 mL vial (two trays default) 100 x 2 mL vial (two classic trays optional) 36 x 6 mL vials (two trays optional)		
Carryover	<0.004 % (40 ppm) with needle wash		Using the following conditions: <ul style="list-style-type: none"> • Column: Agilent Pursuit XRs 3 C18, 2.0 x 50 mm • Mobile Phase: <ul style="list-style-type: none"> • A: 0.1 % TFA in water • B: 0.1 % TFA in acetonitrile • Isocratic : %B = 40 % • Flow rate: 0.5 mL/min • Temperature: Ambient • Wavelength: 257/4 nm • Injection volume: 1 µL • Sample: 1200 ng/µL Chlorhexidine for UV (dissolved with mobile phase A), 1 µL injected and measured with Agilent UV detector • Wash solution: H₂O with 0.1 % TFA (3 s)
Injection cycle time	18 s for draw speed 200 µL/min Ejection speed: 200 µL/min Injection volume: 1 µL		

Table 4 Performance Specifications G7129C

Type	Specification	Comments	Method/Conditions
Minimum sample volume	1 μ L from 5 μ L sample in 100 μ L microvial, or 1 μ L from 10 μ L sample in 300 μ L microvial.	Needle height offset has to be adapted to ensure that needle doesn't touch vial bottom. Default needle height = 0 equates to 2 mm above the vial bottom.	
Instrument Control	LC & CE Drivers A.02.17 or above Instrument Control Framework (ICF) A.02.05 or above Instant Pilot (G4208A) with firmware B.02.22 or above InfinityLab LC Companion (G7108A) Lab Advisor B.02.10 or above	For details about supported software versions refer to the compatibility matrix of your version of the LC & CE Drivers	
Communication	Controller Area Network (CAN), Local Area Network (LAN), ERI: ready, start, stop and shut-down signals		
Maintenance and safety-related features	Extensive diagnostics, error detection and display with Agilent Lab Advisor software Leak detection, safe leak handling, leak output signal for shutdown of pumping system, and low voltages in major maintenance areas		
GLP features	Early maintenance feedback (EMF) for continuous tracking of instrument usage with user-settable limits and feedback messages. Electronic records of maintenance and errors.		
Housing	All materials recyclable.		

Specifications of the Sample Cooler

The Agilent Infinity II Sample Cooler is a vapor-compression refrigeration system that uses a fluorinated greenhouse gas (HCF-134a) as the refrigerant. For information on carbon dioxide equivalency (CDE) and global warming potential (GWP), see the instrument label.

Table 5 Physical Specification of the Sample Cooler

Type	Specification	Comment
Weight	< 6 kg (< 13.2 lbs)	
Dimensions (height × width × depth)	205 x 340 x 370 mm (8.1 x 13.4 x 14.6 inches)	
Refrigerant gas	HFC-134a (0.042 kg)	Ozone depletion potential (ODP) = 0
Supply voltage	24 VDC	
Current	10 A max.	
Ambient operating temperature	4 – 40 °C (39 – 104 °F)	
Ambient non-operating temperature	-40 – 70 °C (-40 – 158 °F)	
Humidity	< 95 % r.h. at 40 °C (104 °F)	Non-condensing
Operating altitude	Up to 3000 m (9842 ft)	
Safety standards: IEC, EN, CSA, UL	Installation category II, Pollution degree 2	For indoor use only
ISM Classification	ISM Group 1 Class B	According to CISPR 11

CAUTION

General hazards and improper disposal

Improper disposal of the media and components used pollutes the environment.

- ✓ The disposal or scrapping of the Sample Cooler or the Sample Thermostat must be carried out by a qualified disposal company.
- ✓ All media must be disposed of in accordance with national and local regulations.
- ✓ Please contact your local Agilent Service Center in regard to safe environmental disposal of the appliance or check www.agilent.com for more info.

Table 6 Performance Specifications of the Sample Cooler

Type	Specifications
Operating principle	High performance, low-energy consumption micro-compressor based cooler with ozone-friendly HFC-134a coolant (42 g), user-upgradable.
Temperature range	from 4 °C to 5 °C below ambient
Temperature settable	from 4 – 40 °C in 1 ° increments
Temperature accuracy (<25 °C, <50 % r.H.)	2 °C to 6 °C at a setpoint of 4 °C

NOTE

The Agilent Infinity II Sample Cooler is not available for trade sales anymore and has been replaced by the Agilent InfinityLab Sample Thermostat.

Specifications of the Sample Thermostat

The Agilent InfinityLab Sample Thermostat is the combination of an electric heater and a vapor-compression refrigeration system. It uses isobutane as a non-Freon refrigerant, which is harmless to the environment and does not affect the ozone layer and global warming but is combustible. Please adhere to the warnings listed in the manual.

Table 7 Physical Specifications of the Sample Thermostat

Type	Specification	Comments
Weight	<6 kg (< 13.2 lbs)	
Dimensions (height x width x depth)	205 x 340 x 370 mm (8.1 x 13.4 x 14.6 inches)	
Refrigerant gas	R600a (0.030 kg)	Ozone depletion potential (ODP) =0 Global warming potential (GWP) =3
Supply voltage	24VDC	
Current	10 A max.	
Ambient operating temperature	4 – 40 °C (39 – 104 °F)	
Ambient non-operating temperature	-40 – 70 °C (-40 – 158 °F)	
Humidity	< 95 % r.h. at 40 °C (104 °F)	Non-condensing
Operating altitude	Up to 3000 m (9842 ft)	
Safety standards: IEC, EN, CSA, UL	Installation category II, Pollution degree 2	For indoor use only
ISM Classification	ISM Group 1 Class B	According to CISPR 11

CAUTION

General hazards and improper disposal

Improper disposal of the media and components used pollutes the environment.

- ✓ The disposal or scrapping of the Sample Cooler or the Sample Thermostat must be carried out by a qualified disposal company.
- ✓ All media must be disposed of in accordance with national and local regulations.
- ✓ Please contact your local Agilent Service Center in regard to safe environmental disposal of the appliance or check www.agilent.com for more info.

Table 8 Performance Specifications for the Sample Thermostat

Type	Specifications
Operating principle	High performance, low-energy consumption micro-compressor based cooler with natural R600a coolant (Butane 30 g), user-upgradable
Temperature range	from 4 – 40 °C
Temperature settable	from 4 – 40 °C in 1 ° increments
Temperature accuracy	2 °C to 6 °C at a setpoint of 4 °C (<25 °C, <50 % r.H.)

NOTE

Minimum firmware revision for the Sample Thermostat is D.07.22.
Minimum LC driver revision for the Sample Thermostat is A.02.14.

Specifications of the Integrated Column Compartment

Physical Specifications Agilent InfinityLab LC Series Integrated Column Compartment (G7130A)

Table 9 Physical Specifications (G7130A)

Type	Specification	Comment
Weight	1.8 kg (4.0 lbs)	
Dimensions (height x width x depth)	86.5 x 396.0 x 106.5 mm (3.4 x 15.6 x 4.2 inches)	Maximum outside
Supply Voltage	24 V DC	
Power consumption	110 W	
Ambient operating temperature	4 – 55 °C (39 – 131 °F)	
Ambient non-operating temperature	-40 – 70 °C (-40 – 158 °F)	
Humidity	< 95 % r.h. at 40 °C (104 °F) ¹	Non-condensing
Operating altitude	Up to 3000 m (9842 ft)	
Safety standards IEC, EN, CSA, UL	Installation category II, Pollution degree 2	For indoor use only
ISM Classification	ISM Group 1 Class B	According to CISPR 11

¹ If a sample cooler is included the upper value for humidity can be reduced. Please check your lab conditions to stay beyond dew point values for non-condensing operation.

Performance Specifications Agilent InfinityLab LC Series Integrated Column Compartment (G7130A)

Table 10 Performance Specifications G7130A

Type	Specification	Comments
Temperature range	5 °C above ambient to 80 °C	
Column capacity	2 columns up to 30 cm and 4.6 mm ID	
Temperature stability	±0.10 °C	at sensor
Temperature accuracy	±0.8 K (±0.5 K with calibration)	
Warm up time	20 – 40 °C in 5 min	at sensor

3 Using the Module

Magnets	55
Turn on/off	56
Status Indicators	58
Vial Drawers and Trays	59
List of Drawers and Trays	59
Exchange Drawers	62
Insert a Vial Into the Sampler	65
Install the External Tray	67
Choice of Vials and Caps	70
Compatible Vials and Caps for the 2 mL Vial Drawers	70
Compatible Vials and Caps for the 6 mL Vial Drawer	73
Install the Optional Integrated Column Compartment	74
Unpacking the Unit	74
Install the Integrated Column Compartment	76
Install a Column in the ICC	82
Remove a Column from the ICC	86
Install the Column Shelf	88
Install the Column ID Upgrade Kit	92
Connect a Column Identification Tag to the Tag Reader	94
Using the Optional Integrated Column Compartment	96
Dashboard	96
Control Interface	97
Control	98
Method Parameters	99
Online Signals	101
Column Assignment	102
Column Tag Information Table	103
Using Column Identification Tags	104
Install the Optional Sample Cooler/Sample Thermostat	116
Unpacking the Unit	116
Install the Sample Cooler/Sample Thermostat	117
Using the Optional Sample Cooler/Sample Thermostat	123
Dashboard	123
Control Interface	124
Control	125
Temperature Mode	127
Online Signals	128

Using the Module

Specifications of the Integrated Column Compartment

Reporting Sample Temperature 129

Operation Information 130

Transporting the Sampler 132

Prepare a Sampler Without Cooler/Thermostat for Transportation 132

Prepare a Sampler with Cooler/Thermostat for Transportation 133

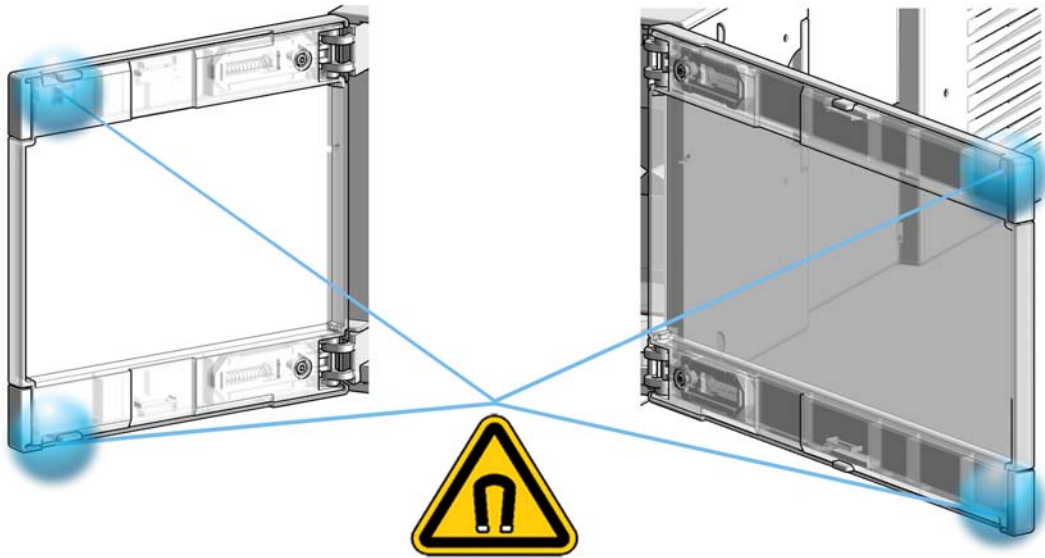
Install the Transport Protection Foam 135

Agilent Local Control Modules 137

This chapter provides information on how to use the module.

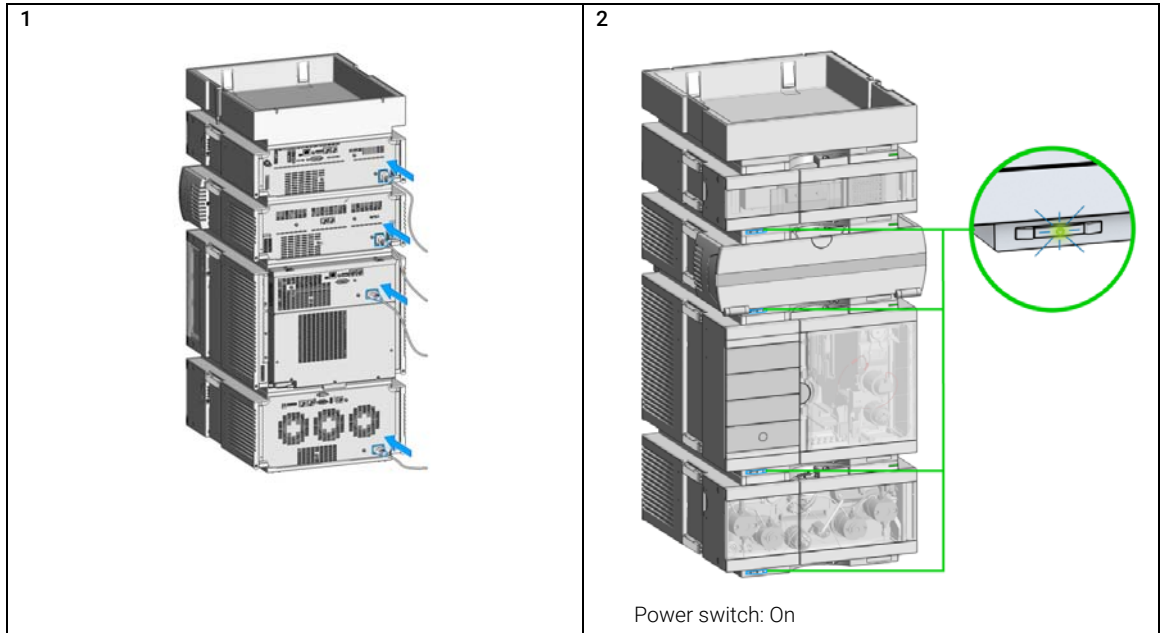
Magnets

- 1 Magnets in doors of pumps, autosamplers, detectors, and fraction collectors.

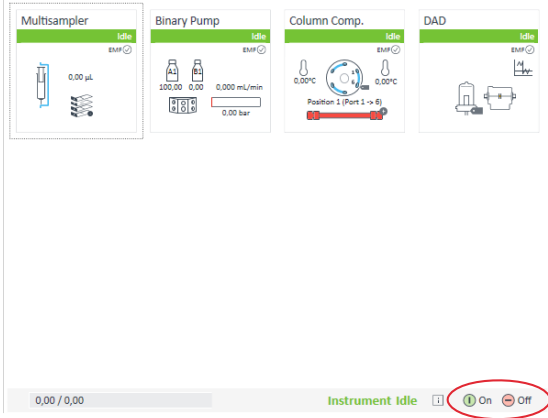


Turn on/off

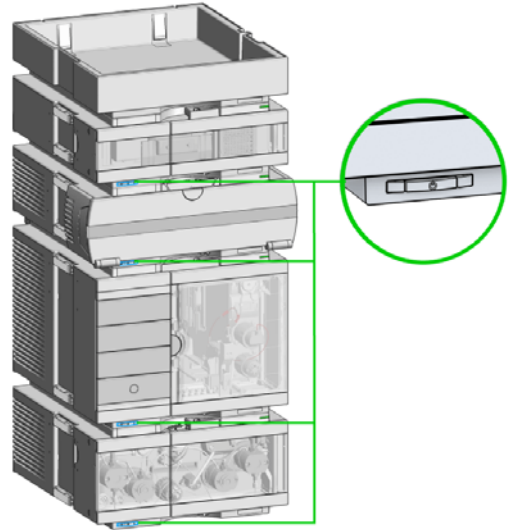
This procedure exemplarily shows an arbitrary LC stack configuration.



3 Turn instrument **On/Off** with the control software.

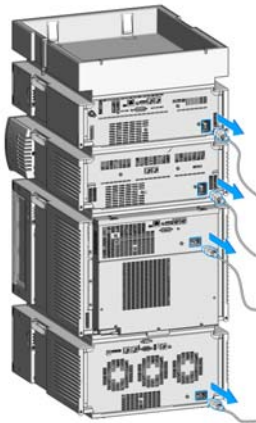


4



Power switch: Off

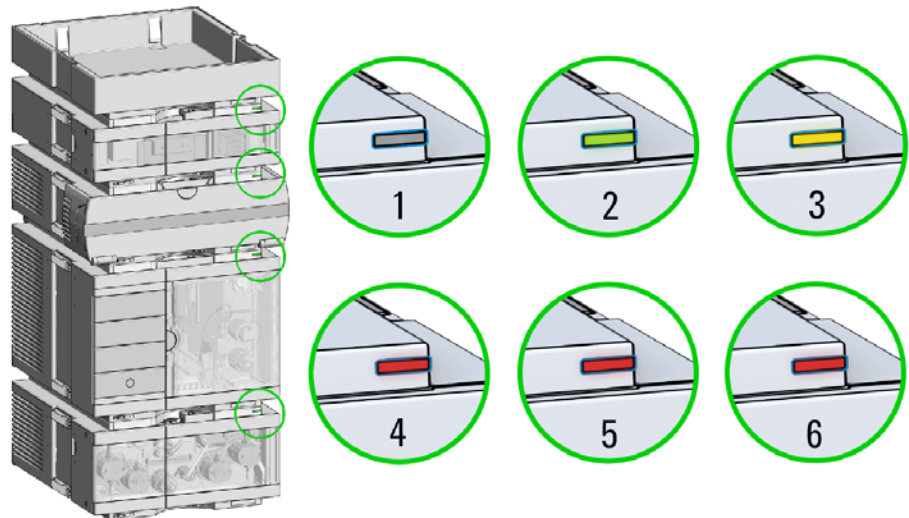
5



Status Indicators

This procedure exemplarily shows an arbitrary LC stack configuration.

- 1 The module status indicator indicates one of six possible module conditions:



Status indicators

1. Idle
2. Run mode
3. Not-ready. Waiting for a specific pre-run condition to be reached or completed.
4. Error mode - interrupts the analysis and requires attention (for example a leak or defective internal components).
5. Resident mode (blinking) - for example during update of main firmware.
6. Bootloader mode (fast blinking). Try to re-boot the module or try a cold-start. Then try a firmware update.

Vial Drawers and Trays

List of Drawers and Trays

Supported drawers for the module:

p/n	Description
G7129-60010	Drawer for 66 x 2 mL Vials
G7129-60110	Drawer for 18 x 6 mL Vials
G7129-68210	Classic Vial Drawer Kit
G7129-60210	Classic Drawer for 50 x 2 mL Vials, Left
G7129-60220	Classic Drawer for 50 x 2 mL Vials, Right
G7129-60000	External Tray for 5 x 2 mL Vials

NOTE

Install all drawers for best cooling performance.

Drawer Combinations

Drawers can be installed in any combination enabling both 2 mL- and 6 mL-vials to be used simultaneously. The only exception is the usage of the classical drawer option (100 x 2 mL). This option can't combine with the other drawers.

Numbering of Vial Positions

The standard 2*66 vial drawers have 132 vial positions from P1-A1-P2-F11. However, when using two drawers, the numbering convention is slightly different. The vial positions of the right-hand drawer begin at position P2-A1 as follows:

Left-hand Drawer for 66 x 2 mL Vials: P1-A1 to P1-F11

Left-hand Drawer for 18 x 6 mL Vials: P1-A1 to P1-C6

Right-hand Drawer for 66 x 2 mL Vials: P2-A1 to P2-F11

Right-hand Drawer for 18 x 6 mL Vials: P2-A1 to P2-C6

Drawer for 50 x 2 mL Vials Classic Left: Vial 1-50

Using the Module

Vial Drawers and Trays

Drawer for 50 x 2 mL Vials Classic Right: Vial 51-100

External Tray 5-position: 201 – 205 Position

(The disposal tube is installed into the external tray by turning and pushing it into the backside of the hole position, No. 206)

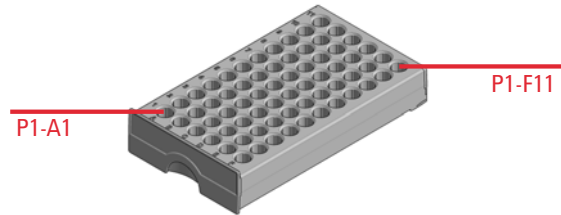


Figure 14 Numbering of drawer position (left-hand Drawer for 66 x 2 mL Vials)

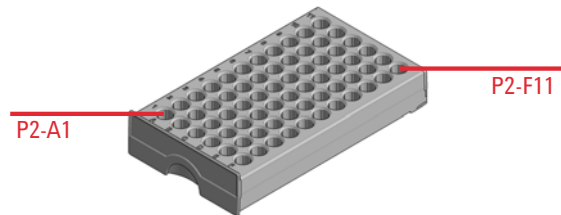


Figure 15 Numbering of drawer position (right-hand Drawer for 66 x 2 mL Vials)

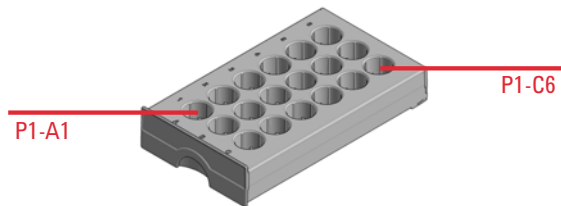


Figure 16 Numbering of drawer position (left-hand Drawer for 18 x 6 mL Vials)

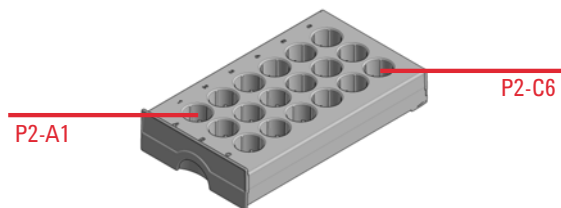


Figure 17 Numbering of drawer position (right-hand Drawer for 18 x 6 mL Vials)

Using the Module

Vial Drawers and Trays

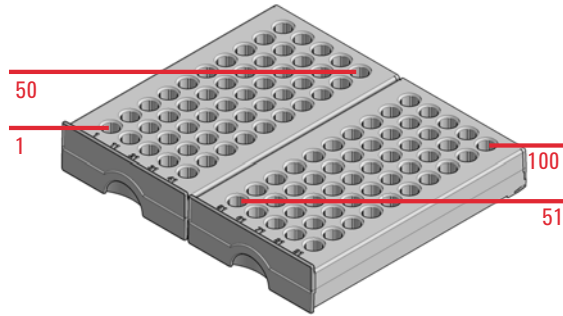


Figure 18 Numbering of drawer position (Drawer for 50 x 2 mL Vials Classic)

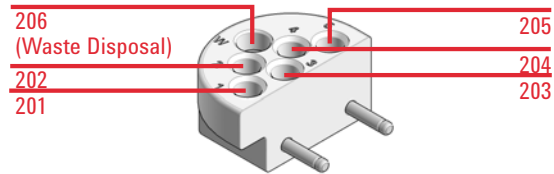


Figure 19 Numbering of tray position (External tray)

Exchange Drawers

NOTE

Do not operate the sampler without drawers installed.

NOTE

Install all drawers for best cooling performance.

NOTE

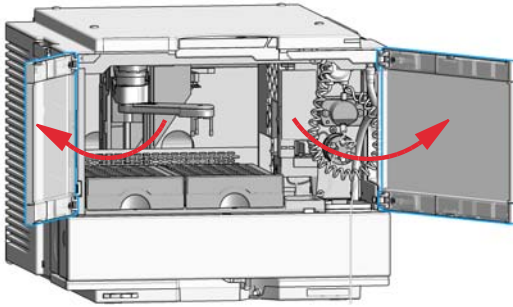
Do not mix standard and classic drawers.

Install classic drawer 1-50 to the left, classic drawer 51-100 to the right side.

Using the Module

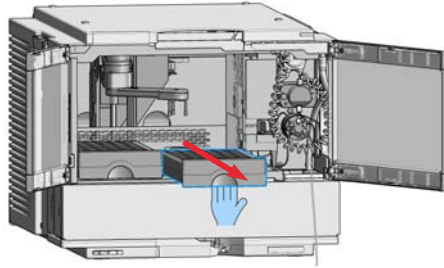
Vial Drawers and Trays

1 Open the doors of the module.

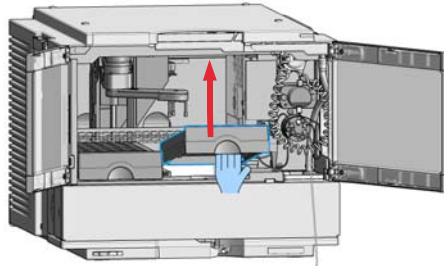


2 Remove the drawer.

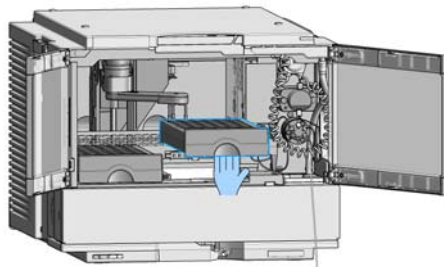
a Pull the drawer out.



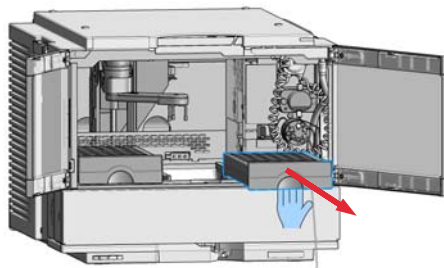
b Lift the front of the drawer.



c Lift the drawer out.

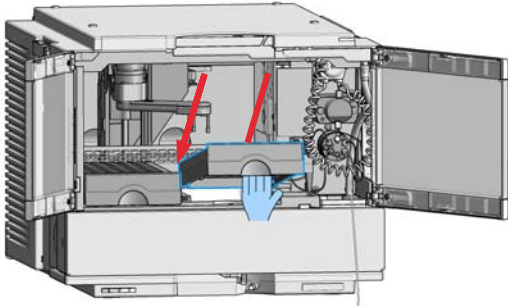


d Remove the drawer.

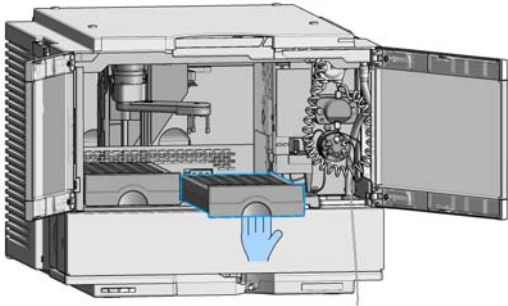


3 Install the drawer.

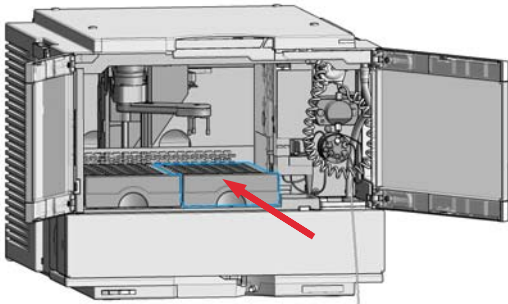
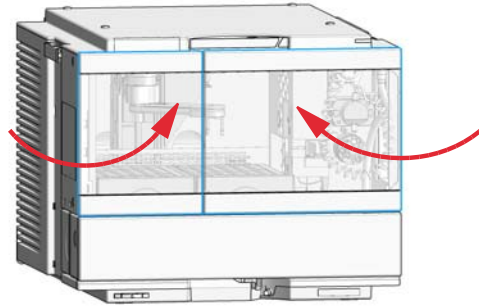
- a**
- Insert the back of the drawer.



- b**
- Align the drawer.



- c**
- Push in the drawer.

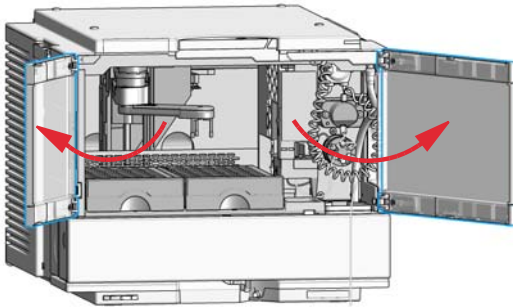
**4** Close the doors.

Insert a Vial Into the Sampler

NOTE

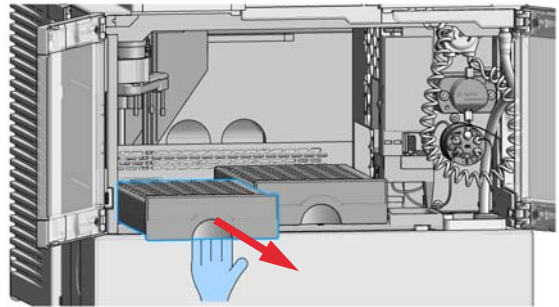
Attempting to insert a new vial into the sampler while the gripper arm is moving might lead to aborting the ongoing analysis.

- 1 Open the doors of the module.

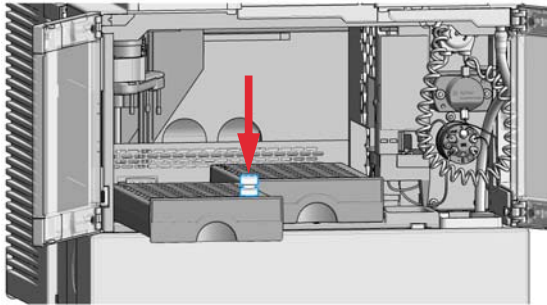
**NOTE**

For accessing the left drawer, it is sufficient to open the left door only.

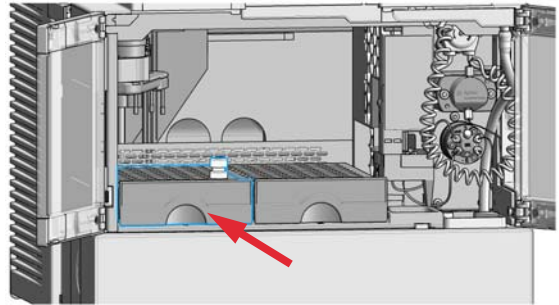
- 2 Pull out the vial drawer into which you want to insert the vial.



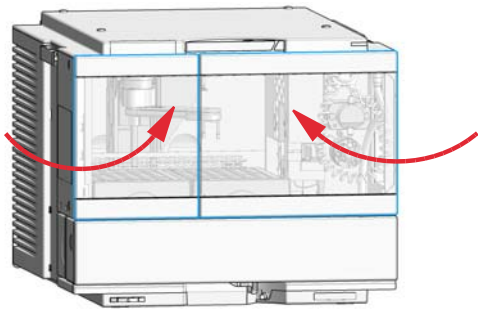
- 3 Insert the vial into an appropriate position of the drawer.



- 4 Push the vial drawer back into place.



5 Close the doors.



Install the External Tray

Tools required

Description

Flathead screwdriver

Parts required

p/n

Description

G7129-60000

External Tray for 5 x 2 mL Vials

G1313-27302

Disposal tube

Preparations

- Turn off the sampler
- Open the doors
- Remove the samples

NOTE

Keep foam and plastic cover in a safe place.

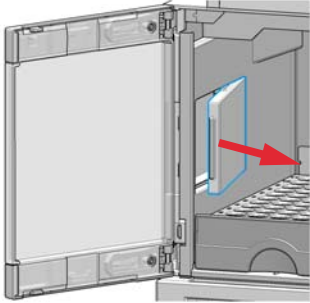
For best temperature performance, and if the external tray is not in use, it is best to cover the opening for the external tray with the original parts.

Using the Module

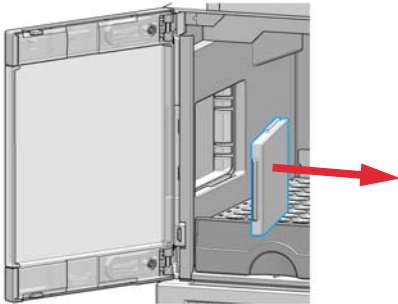
Vial Drawers and Trays

1 Remove the foam and the plastic cover.

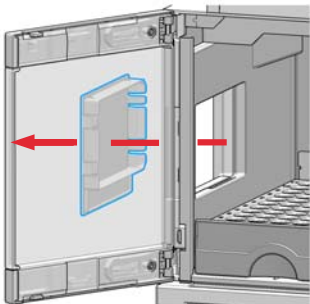
- a** Lift up the front part of the foam with a flathead screw driver.



- b** Remove the foam.

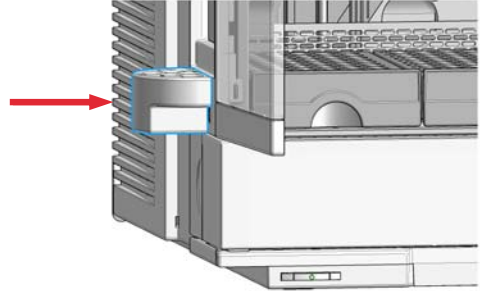


- c** Push out the plastic cover.

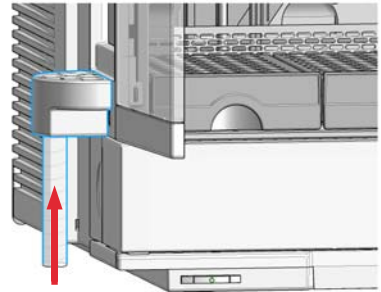


2 Install the external tray and the disposal tube.

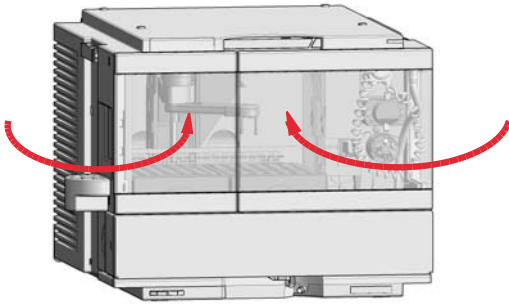
- a** Mount the external tray in the mounting holes on the left side of the sampler and ensure that it is pushed in all the way.



- b** Install the disposal tube.



3 Close the doors.



4 Configure the External Tray in the online view of the Chromatographic Data System: right-click on the sampler dashboard and select **Modify> External Tray**. In the dialog, select the **External Tray installed** check box.

Choice of Vials and Caps

Compatible Vials and Caps for the 2 mL Vial Drawers

List of Compatible Vials and Caps

For reliable operation vials used with the autosampler must not have tapered shoulders or caps that are wider than the body of the vial. The vials in “Crimp Top Vials” on page 70, “Snap Top Vials” on page 71 and “Screw Top Vials” on page 71 and caps in “Crimp Caps” on page 72, “Snap Caps” on page 72 and “Screw Caps” on page 72 (shown with their Part numbers) have been successfully tested using a minimum of 15,000 injections with the autosampler.

Crimp Top Vials

p/n	Description
5181-3375	Crimp Top Vial, 2 mL, clear glass, 100/Pack
5183-4491	Crimp Top Vial, 2 mL, clear glass, 1000/Pack
5182-0543	Crimp Top Vial, 2 mL, clear glass, write-on spot, 100/Pack
5183-4492	Crimp Top Vial, 2 mL, clear glass, write-on spot, 1000/Pack
5183-4494	Crimp Top Vial, 2 mL, clear glass, write-on spot, 100/Pack (silanized)
5181-3376	Crimp Top Vial, 2 mL, amber glass, write-on spot, 100/Pack
5183-4493	Crimp Top Vial, 2 mL, amber glass, write-on spot, 1000/Pack
5183-4495	Crimp Top Vial, 2 mL, amber glass, write-on spot, 100/Pack (silanized)
5182-0567	Crimp Top Vial, 1 mL, polypropylene, wide opening, 100/Pack
5183-4496	Crimp Top Vial, 1 mL, polypropylene, wide opening, 100/Pack (silanized)
9301-0978	Crimp top vial, 250 µL, polypropylene, wide opening, 1000/Pack

Snap Top Vials

p/n	Description
5182-0544	Snap Top Vial, 2 mL, clear glass, 100/Pack
5183-4504	Snap Top Vial, 2 mL, clear glass, 1000/Pack
5183-4507	Snap Top Vial, 2 mL, clear glass, 100/Pack (silanized)
5182-0546	Snap Top Vial, 2 mL, clear glass, write-on spot, 100/Pack
5183-4505	Snap Top Vial, 2 mL, clear glass, write-on spot, 1000/Pack
5183-4508	Snap Top Vial, 2 mL, clear glass, write-on spot, 100/Pack (silanized)
5182-0545	Snap Top Vial, 2 mL, amber glass, write-on spot, 100/Pack
5183-4506	Snap Top Vial, 2 mL, amber glass, write-on spot, 1000/Pack
5183-4509	Snap Top Vial, 2 mL, amber glass, write-on spot, 100/Pack (silanized)

Screw Top Vials

p/n	Description
5182-0714	Screw Cap Vials, 2 mL, clear glass, 100/Pack
5183-2067	Screw Top Vial, 2 mL, clear glass, 1000/Pack
5183-2070	Screw Top Vial, 2 mL, clear glass, 100/Pack (silanized)
5182-0715	Screw Top Vial, 2 mL, clear glass, write-on spot, 100/Pack
5183-2068	Screw Top Vial, 2 mL, clear glass, write-on spot, 1000/Pack
5183-2071	Screw Top Vial, 2 mL, clear glass, write-on spot, 100/Pack (silanized)
5182-0716	Screw Cap Vial, 2 mL, amber glass, write-on spot, 100/Pack
5183-2069	Screw Top Vial, 2 mL, amber glass, write-on spot, 1000/Pack
5183-2072	Screw Top Vial, 2 mL, amber glass, write-on spot, 100/Pack (silanized)

Crimp Caps

p/n	Description
5181-1210	Crimp Cap, silver aluminum, septum (clear PTFE/red rubber), 100/Pack
5183-4498	Crimp Cap, silver aluminum, septum (clear PTFE/red rubber), 1000/Pack
5181-1215	Crimp Cap, blue aluminum, septum (clear PTFE/red rubber), 100/Pack
5181-1216	Crimp Cap, green aluminum, septum (clear PTFE/red rubber), 100/Pack
5181-1217	Crimp Cap, red aluminum, septum (clear PTFE/red rubber), 100/Pack

Snap Caps

p/n	Description
5182-0550	Snap Cap, clear polypropylene, septum (clear PTFE/red rubber), 100/Pack
5182-3458	Snap Cap, blue polypropylene, septum (clear PTFE/red rubber), 100/Pack
5182-3457	Snap Cap, green polypropylene, septum (clear PTFE/red rubber), 100/Pack
5182-3459	Snap Cap, red polypropylene, septum (clear PTFE/red rubber), 100/Pack

Screw Caps

p/n	Description
5182-0717	Screw Cap, blue polypropylene, septum (clear PTFE/red rubber), 100/Pack
5182-0718	Screw Cap, green polypropylene, septum (clear PTFE/red rubber), 100/Pack
5182-0719	Screw Cap, red polypropylene, septum (clear PTFE/red rubber), 100/Pack
5182-0720	Screw Cap, blue polypropylene, septum (clear PTFE/silicone), 100/Pack
5182-0721	Screw Cap, green polypropylene, septum (clear PTFE/silicone), 100/Pack
5182-0722	Screw Cap, red polypropylene, septum (clear PTFE/silicone), 100/Pack

Compatible Vials and Caps for the 6 mL Vial Drawer

NOTE

For reliable operation of the sampler, the combined height of the vial and cap should never exceed 40 mm.

Screw Top Vials and Caps

p/n	Description
9301-1377	Screw Top Vial, 6 mL, clear glass, flat bottom, 100/Pack
5188-5369	Screw Top Vial, 5 mL, clear glass, high recovery, 100/Pack
9301-1379	Screw Cap, 16 mm, w/o septum, for 6 mL vials, 100/Pack
9301-1378	Septum, PTFE/silicone, for 16 mm caps, 100/Pack
5188-2758	Septum, preslit, PTFE/silicone, for 16 mm caps, 100/Pack

Crimp Top Vials and Caps

p/n	Description
9301-1419	Crimp Top Vial, 6 mL, clear glass, flat bottom, 100/Pack
9301-1425	Crimp Cap, silver aluminum, septum (PTFE/silicone), 100/Pack

Install the Optional Integrated Column Compartment

Unpacking the Unit

Damaged Packaging

Damaged Packaging

If the delivery packaging shows signs of external damage, please call your Agilent Technologies sales and service office immediately. Inform your service representative that the instrument may have been damaged during shipment.

CAUTION

"Defective on arrival" problems

If there are signs of damage, please do not attempt to install the module. Inspection by Agilent is required to evaluate if the instrument is in good condition or damaged.

- ✓ Notify your Agilent sales and service office about the damage.
- ✓ An Agilent service representative will inspect the instrument at your site and initiate appropriate actions.

Condensation

CAUTION

Condensation within the module

Condensation can damage the system electronics.

- ✓ Do not store, ship or use your module under conditions where temperature fluctuations could cause condensation within the module.
 - ✓ If your module was shipped in cold weather, leave it in its box and allow it to warm slowly to room temperature to avoid condensation.
-

Delivery Checklist

Ensure all parts and materials have been delivered with your module. The delivery checklist is shown below. For parts identification please check the illustrated parts breakdown in “[Integrated Column Compartment](#)” on page 288. Please report any missing or damaged parts to your local Agilent Technologies sales and service office.

Table 11 Delivery checklist for the Integrated Column Compartment (ICC)

Description	Quantity
Integrated Column Compartment (G7130-60030 or G7130-60060)	1
Accessory Kit for ICC	1

Install the Integrated Column Compartment

Tools required	p/n	Description
	8710-0510	Open-end wrench 1/4 – 5/16 inch

Parts required	#	p/n	Description
	1	G7130-60030	Integrated Column Compartment, 3 µL Heater
OR	1	G7130-60060	Integrated Column Compartment, 6 µL Heater
	1		Accessory Kit for ICC (includes capillaries and column holder clips)

For more information on recommended capillary types refer to “Capillary Connections” on page 278.

Preparations	
	<ul style="list-style-type: none"> • Switch off the pump. • Switch off the sampler. • Remove the column. • Open the doors of the sampler.

WARNING

Fire or explosion due to missing leak drainage

Solvents may run into the module if column shelf or Integrated Column Compartment are not installed.

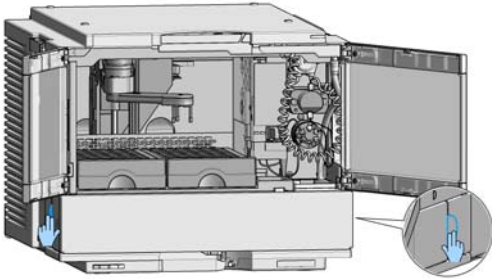
- ✓ Install either column shelf or Integrated Column Compartment before starting the module.

Using the Module

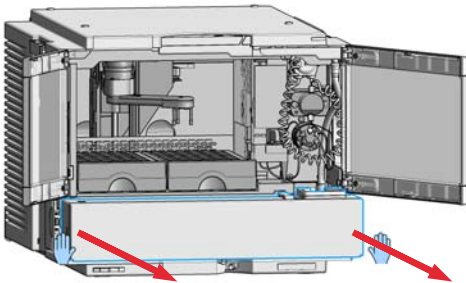
Install the Optional Integrated Column Compartment

1 Remove the column shelf.

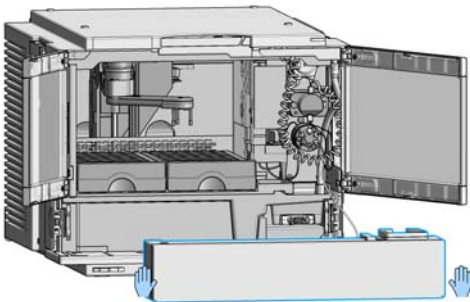
- a** Press in the release buttons on the left and right side.



- b** Pull out the column shelf.

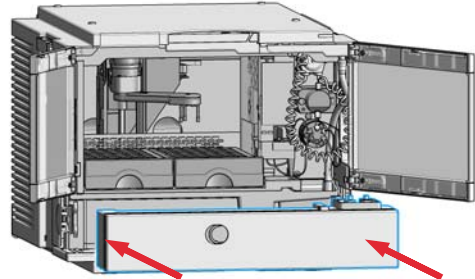


The column shelf is removed.

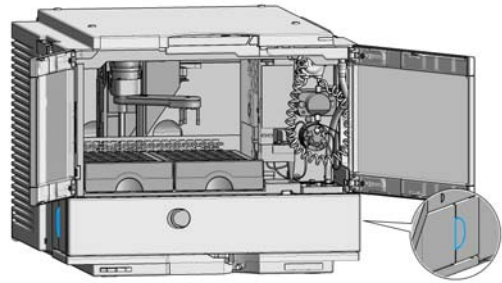


2 Install the Integrated Column Compartment.

- a** Push in the Integrated Column Compartment.

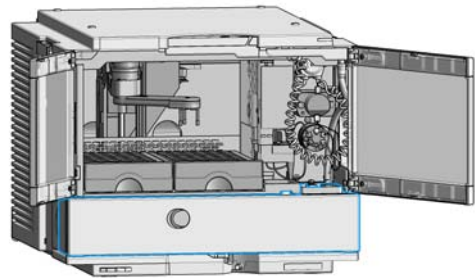


- b** Ensure that the release buttons are clicked back in their original position.

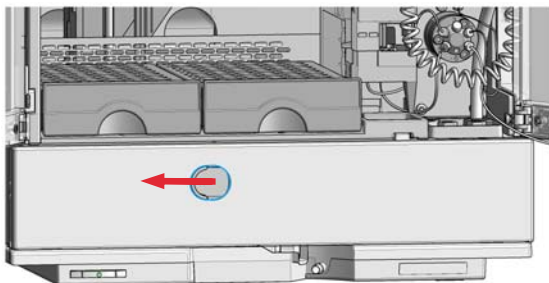


Click

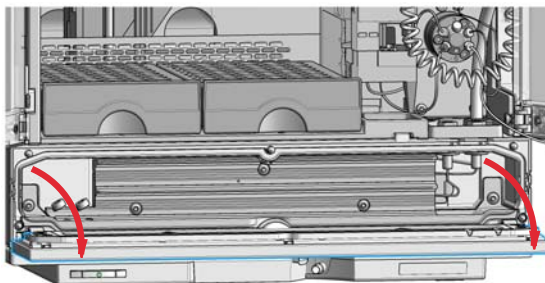
The Integrated Column Compartment is installed.



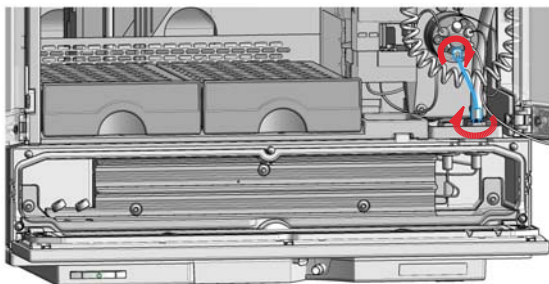
- 3 Push the latch of the Integrated Column Compartment to the left.



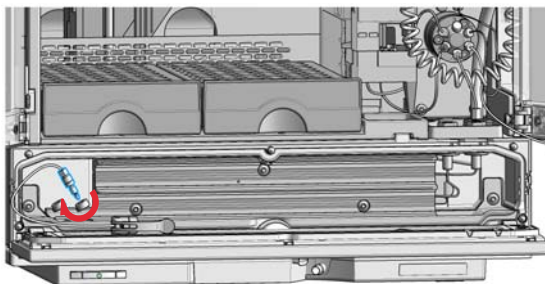
- 4 Open the flap door.



- 5 Connect the injector valve (port 6) of the Vialsampler to the inlet port of the ICC heat exchanger with a suitable capillary (see "Capillary Connections" on page 278 for recommendations).



- 6 Connect a suitable capillary to the respective outlet port of the ICC heat exchanger (see "Capillary Connections" on page 278 for recommendations).



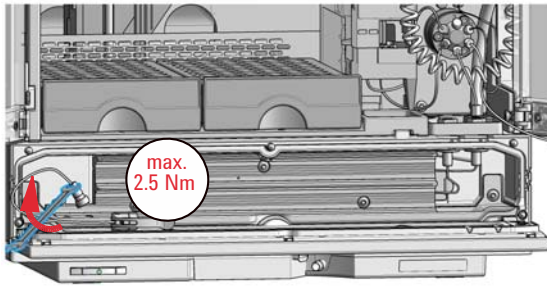
- 7 Tighten the capillary fitting to make the connection pressure tight.

NOTE

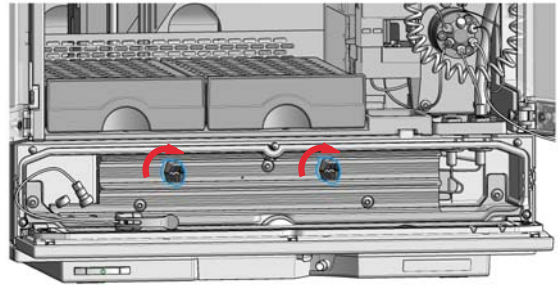
Do not overtighten the fitting (maximum torque 2.5 Nm).

NOTE

The use of capillaries with SL or SX fittings are recommended for a better handling.

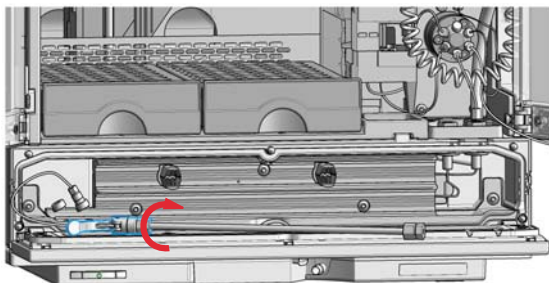


- 8 Mount the column holders on the heat exchanger.

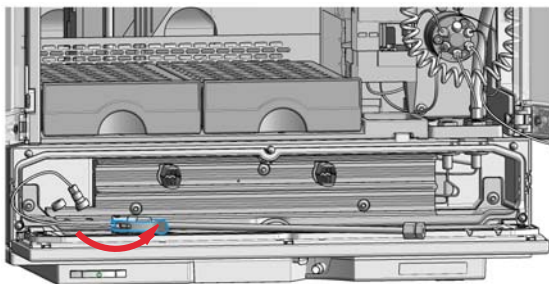


9 Connect the column to the free end of the capillary coming from the ICC heat exchanger. For best performance, use capillaries with the InfinityLab Quick Connect Fitting.

- a** Turn the column onto the Quick Connect Fitting until the first resistance is observed.

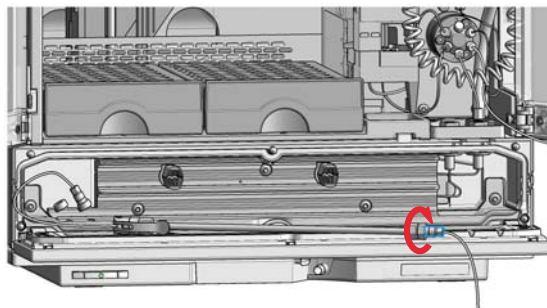


- b** Close the lever to establish a pressure tight connection.



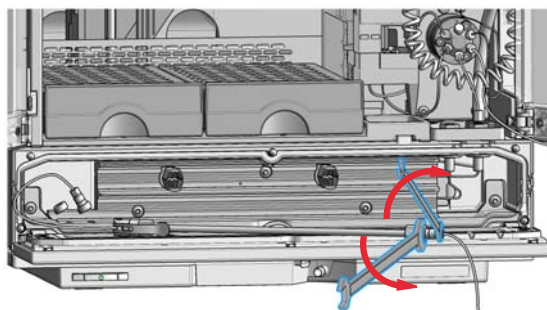
10 Connect a suitable capillary to the outlet port of the column. For best performance, use capillaries with the InfinityLab Quick Turn Fitting.

- a** Connect the capillary with the Quick Connect Fitting and tighten it until finger-tightness.



The fitting should be pressure tight up to 600 bar.

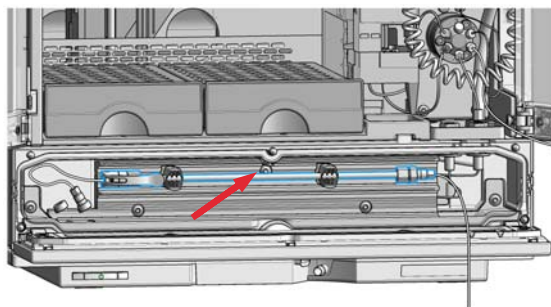
- b** If needed, tighten the fitting further with the help of two suitable wrenches.



Using the Module

Install the Optional Integrated Column Compartment

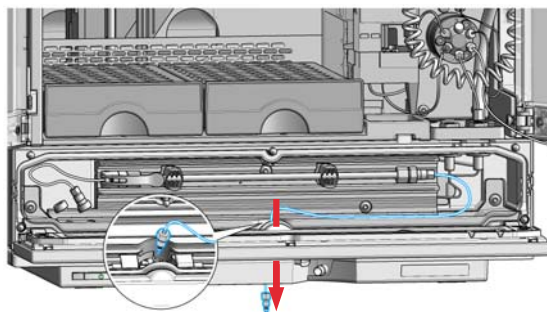
11 Mount the column in the column holder clip(s).



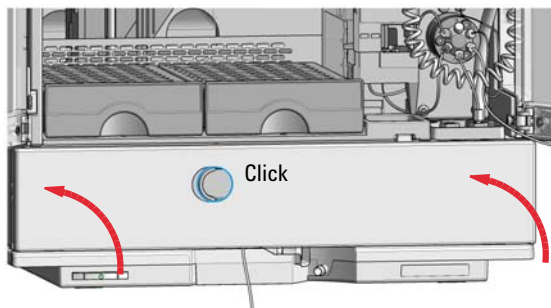
12 Route the capillary coming from the column through the opening between the flap door and the ICC body towards the detector module.

NOTE

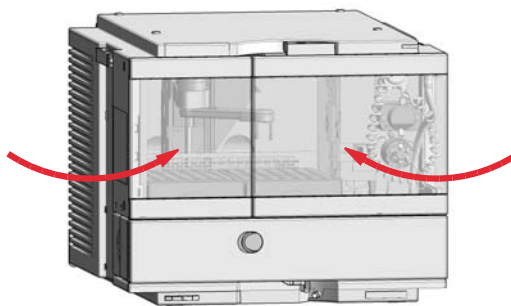
Alternatively, the capillary can also be routed through the incisions at the right side of the ICC dedicated for this purpose.



13 Close the flap door until the latch is locked.



14 Close the doors.



15 Turn on the sampler and the pump.

Install a Column in the ICC

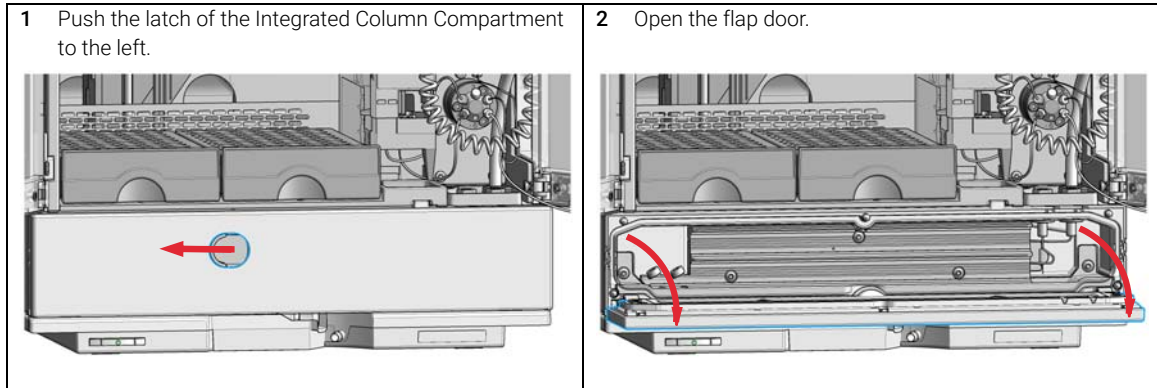
Tools required	p/n	Description
	8710-0510	Open-end wrench 1/4 – 5/16 inch
Parts required	p/n	Description
		Column (up to 30 cm length)
	G7116-68003	Column Holder Lamella, 2/pk

For more information on recommended capillary types, refer to “Capillary Connections” on page 278.

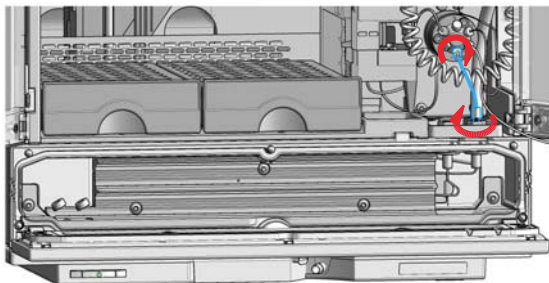
Preparations	• Switch off the pump
	• Switch off the sampler
	• Open the doors of the sampler
	• Open the doors of the sampler

NOTE

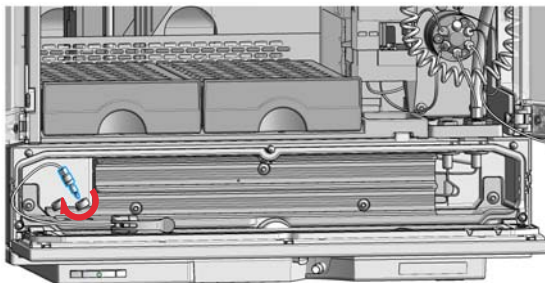
A maximum of two columns can be installed.



- 3 Connect the injector valve (port 6) of the Vialsampler to the inlet port of the ICC heat exchanger with a suitable capillary (see "Capillary Connections" on page 278 for recommendations).



- 4 Connect a suitable capillary to the respective outlet port of the ICC heat exchanger (see "Capillary Connections" on page 278 for recommendations).



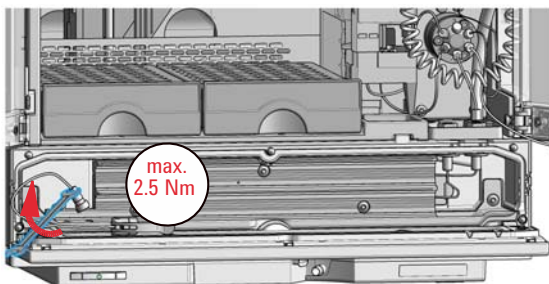
- 5 Tighten the capillary fitting to make the connection pressure tight.

NOTE

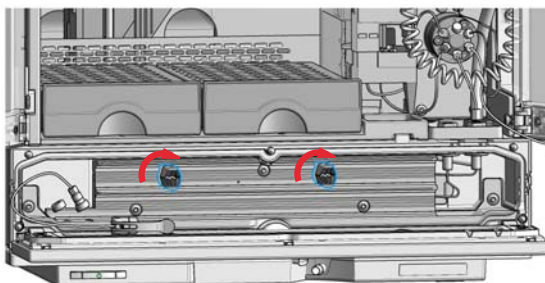
Do not overtighten the fitting (maximum torque 2.5 Nm).

NOTE

The use of capillaries with SL or SX fittings are recommended for a better handling.

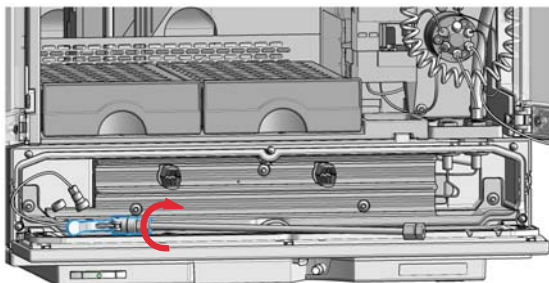


- 6 Mount the column holders on the heat exchanger.

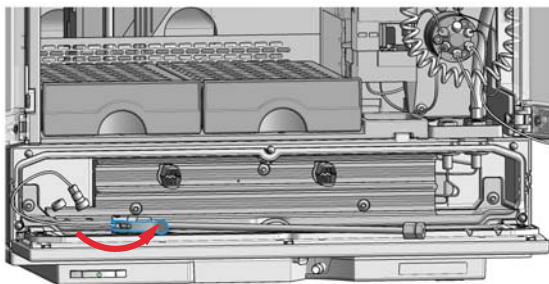


7 Connect the column to the free end of the capillary coming from the ICC heat exchanger. For best performance, use capillaries with the InfinityLab Quick Connect Fitting.

- a** Turn the column onto the Quick Connect Fitting until the first resistance is observed.

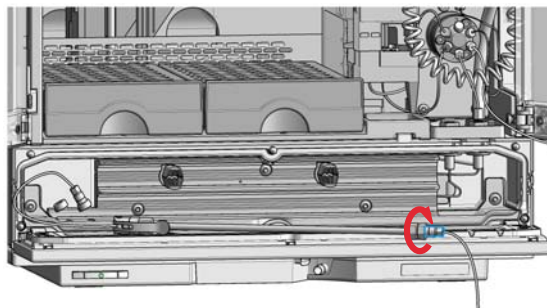


- b** Close the lever to establish a pressure tight connection.



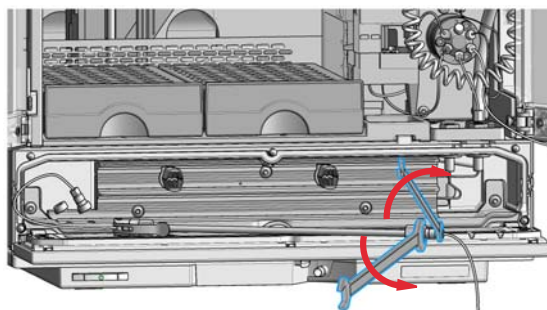
8 Connect a suitable capillary to the outlet port of the column. For best performance, use capillaries with the InfinityLab Quick Turn Fitting.

- a** Connect the capillary with the Quick Connect Fitting and tighten it until finger-tightness.

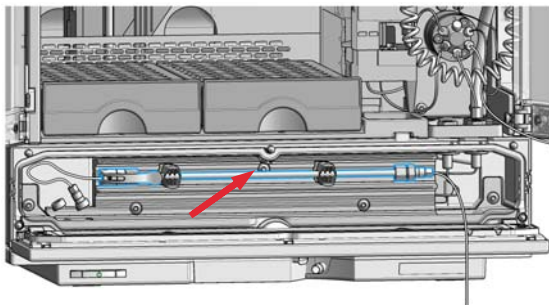


The fitting should be pressure tight up to 600 bar.

- b** If needed, tighten the fitting further with the help of two suitable wrenches.



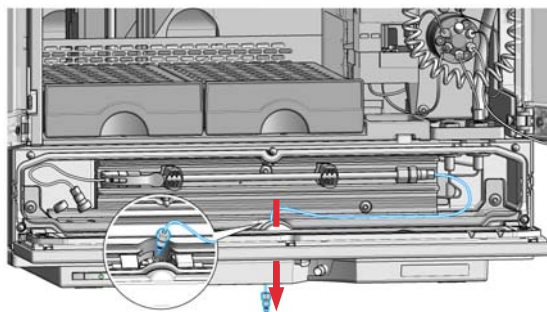
- 9 Mount the column in the column holder clip(s).



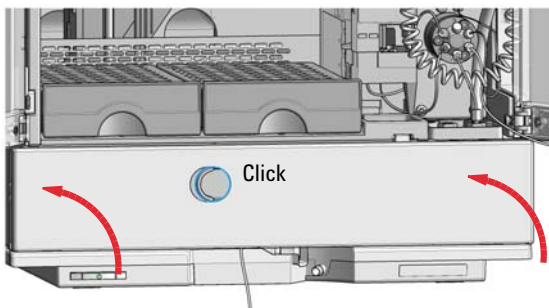
- 10 Route the capillary coming from the column through the opening between the flap door and the ICC body towards the detector module.

NOTE

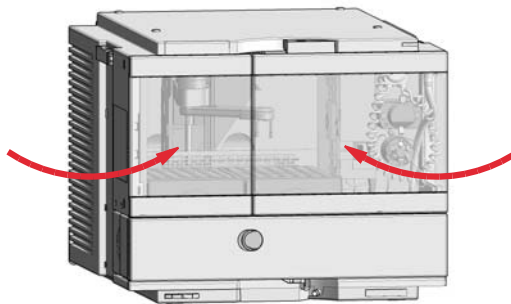
Alternatively, the capillary can also be routed through the incisions at the right side of the ICC dedicated for this purpose.



- 11 Close the flap door until the latch is locked.



- 12 Close the doors.



Next Steps:

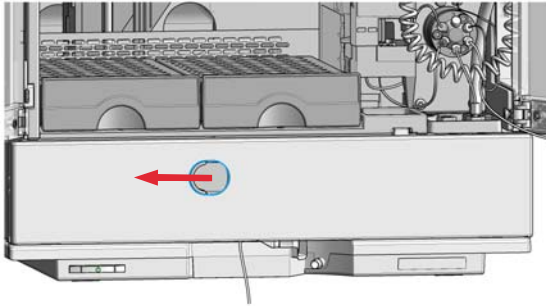
- 13 If applicable, connect the column identification tag to the tag reader (see "Connect a Column Identification Tag to the Tag Reader" on page 94).
- 14 Configure the connected column in the CDS (see "Column Assignment" on page 102).

Remove a Column from the ICC

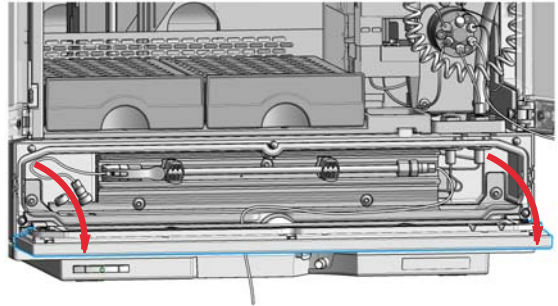
Tools required	p/n	Description
	8710-0510	Open-end wrench 1/4 – 5/16 inch

Preparations	
	<ul style="list-style-type: none"> • Switch off the pump • Switch off the sampler • Open the doors of the sampler

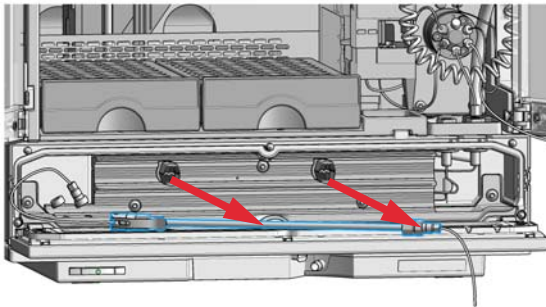
1 Push the latch of the Integrated Column Compartment to the left.



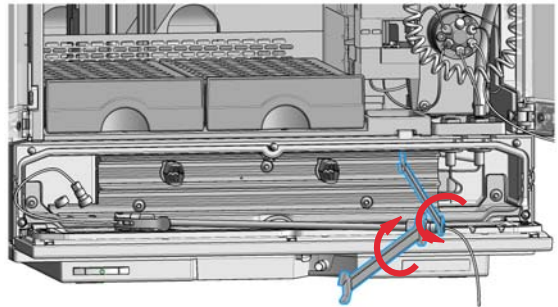
2 Open the flap door.



3 Remove the column from the column holder clips.



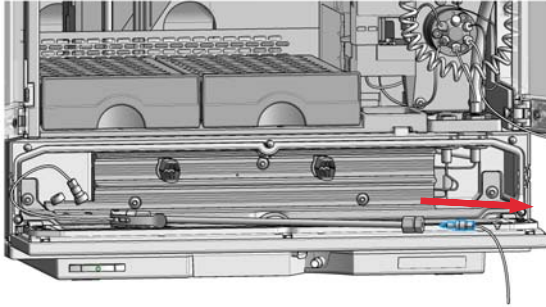
4 Loosen the Quick Turn Fitting either with your fingers or with the help of two wrenches.



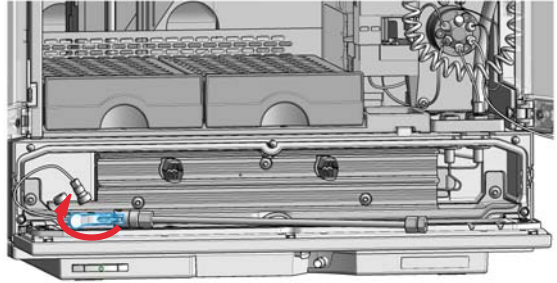
Using the Module

Install the Optional Integrated Column Compartment

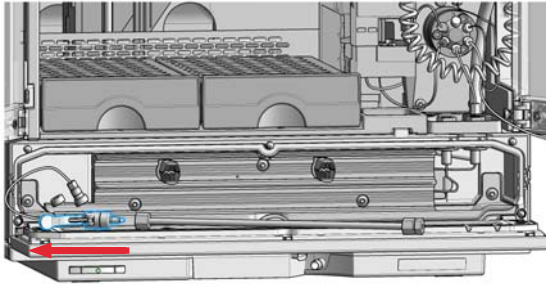
5 Remove the capillary from the outlet port of the column.



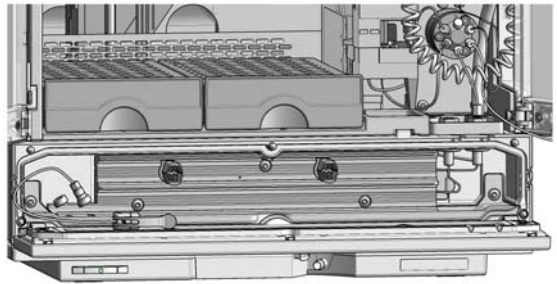
6 Lift up the lever to release the tension on the Quick Connect Fitting.



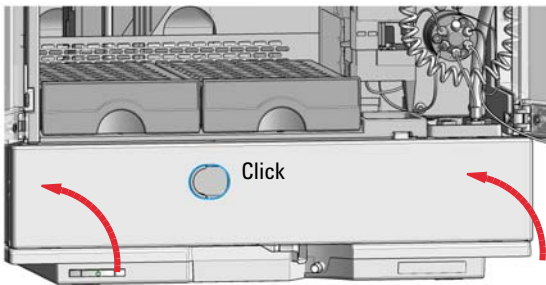
7 Unscrew and remove the Quick Connect Fitting.



8 Remove the column from the ICC.



9 Close the flap door until the latch is locked.



Install the Column Shelf

Tools required	p/n	Description
	8710-0510	Open-end wrench 1/4 – 5/16 inch

Parts required	p/n	Description
	G7129-60023	Column Shelf

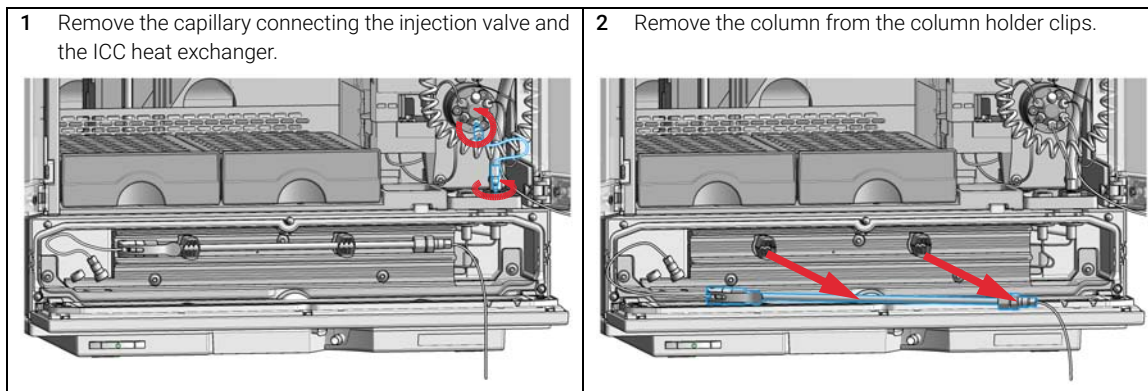
Preparations	<ul style="list-style-type: none"> • Switch off the pump. • Switch off the sampler. • Open the doors of the sampler. • Open the ICC flap door.
---------------------	--

WARNING

Fire or explosion due to missing leak drainage

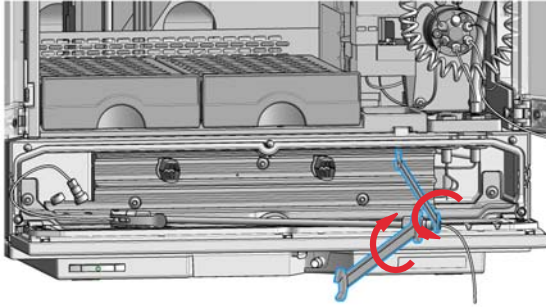
Solvents may run into the module if column shelf or Integrated Column Compartment are not installed.

- ✓ Install either column shelf or Integrated Column Compartment before starting the module.

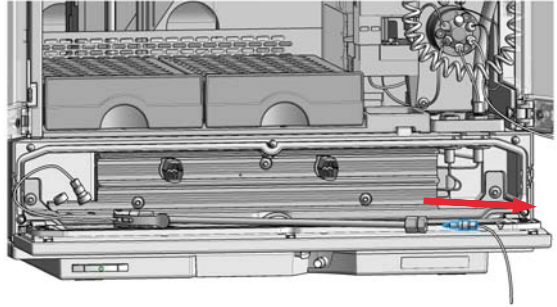


Install the Optional Integrated Column Compartment

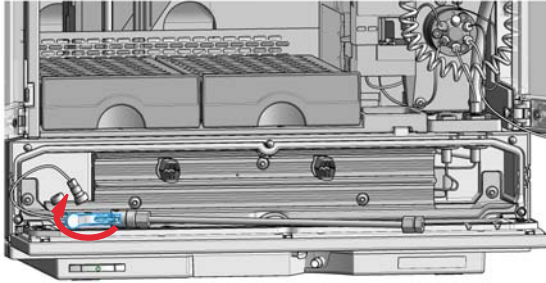
- 3 Loosen the Quick Turn Fitting either with your fingers or with the help of two wrenches.



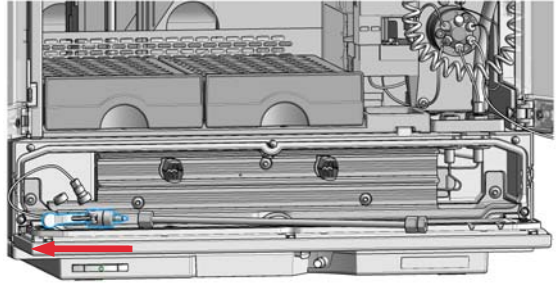
- 4 Remove the capillary from the outlet port of the column.



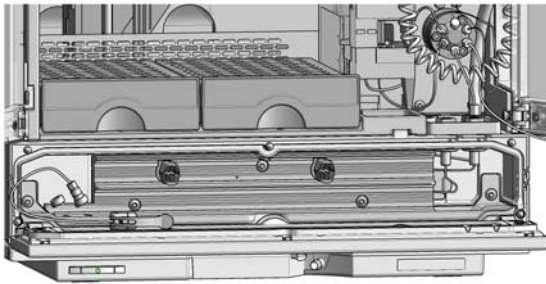
- 5 Lift up the lever to release the tension on the Quick Connect Fitting.



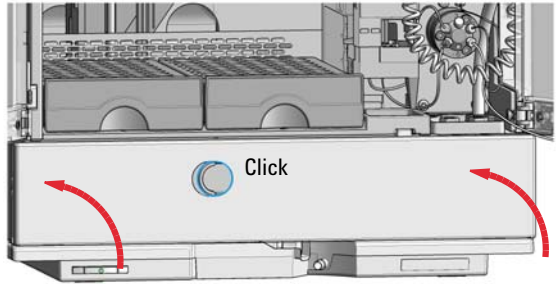
- 6 Unscrew and remove the Quick Connect Fitting.



- 7 Remove the column from the ICC.



- 8 Close the flap door until the latch is locked.

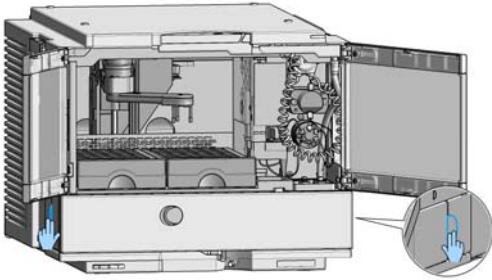


Using the Module

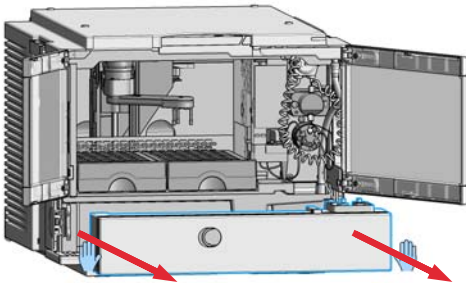
Install the Optional Integrated Column Compartment

9 Remove the Integrated Column Compartment.

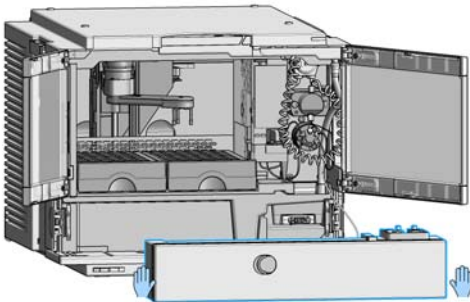
- a** Press the release buttons on the left and right side.



- b** Pull out the Integrated Column Compartment.

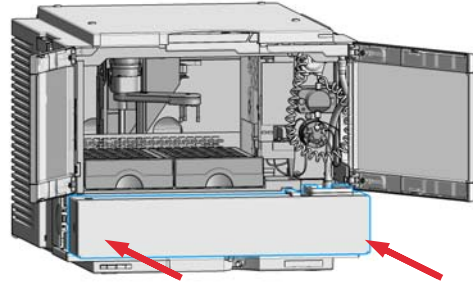


The Integrated Column Compartment is removed.

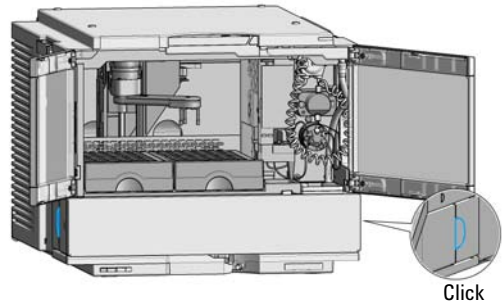


10 Install the column shelf.

- a** Push in the column shelf.

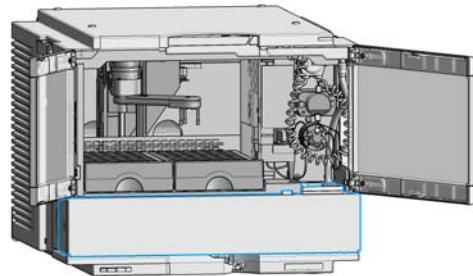


- b** Ensure that the release buttons are clicked back in their original position.



Click

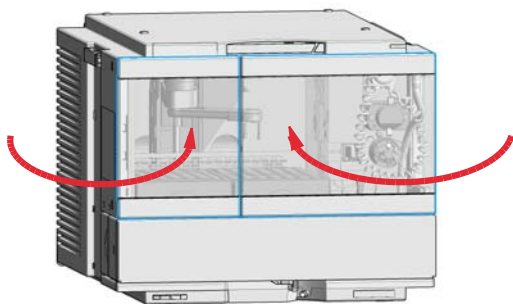
The column shelf is installed.



Using the Module

Install the Optional Integrated Column Compartment

11 Close the doors.



12 Turn on the sampler and the pump.

Install the Column ID Upgrade Kit

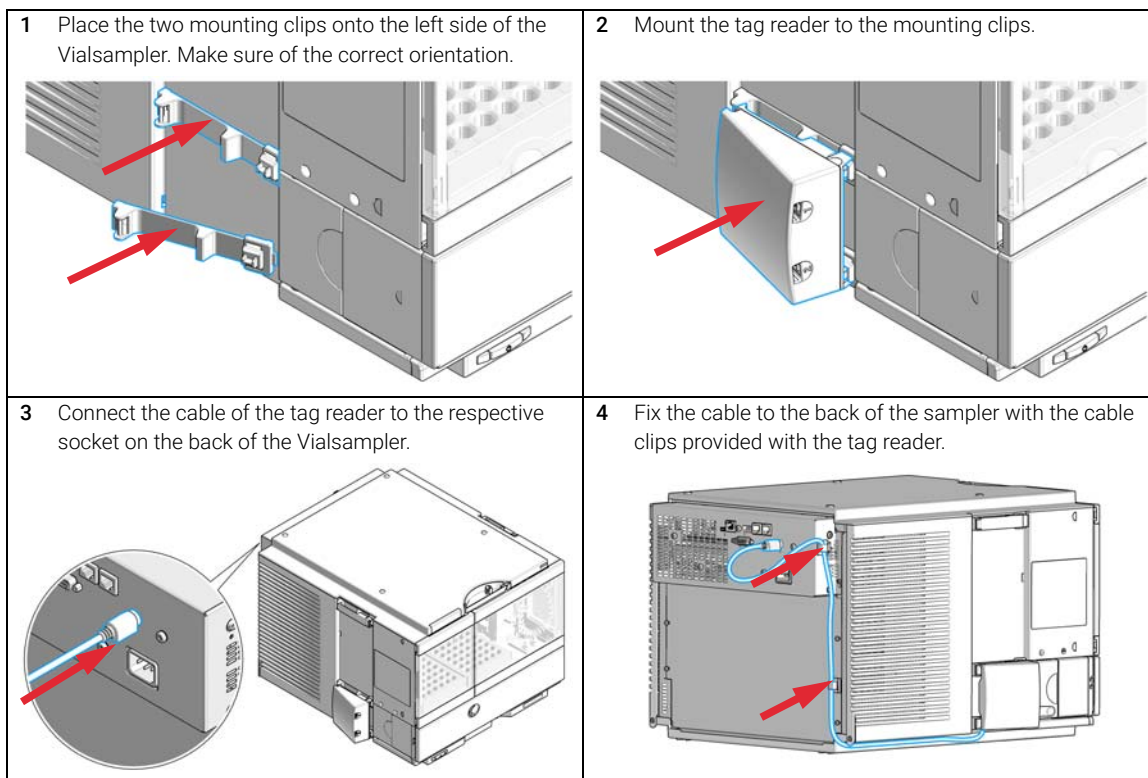
Parts required	#	p/n	Description
	1	G4751A	Column ID Upgrade Kit for the Integrated Column Compartment (includes the tag reader, 2 column identification tags and a technical note)
OR	1	5067-6153	Column ID Tag Reader
	1	5067-5917	InfinityLab Column Identification Tag

Preparations

- Power off the instrument.
- Install the Integrated Column Compartment (see "Install the Integrated Column Compartment" on page 76).

NOTE

To use the G4751A Column ID Upgrade Kit, the Agilent Integrated Column Compartment must be installed in the Vialsampler.



Next Steps:

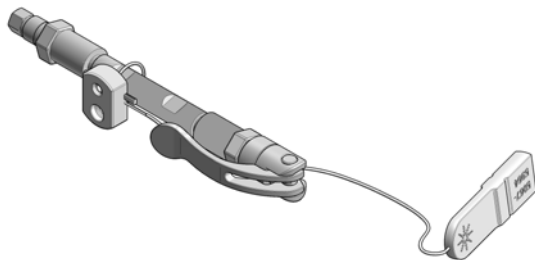
- 5 Power on the instrument.
- 6 Place a column with an identification tag in the ICC and plug the tag into the tag reader (see “Connect a Column Identification Tag to the Tag Reader” on page 94).

Connect a Column Identification Tag to the Tag Reader

Tools required	p/n	Description
	8710-0510	Open-end wrench 1/4 – 5/16 inch
Parts required	p/n	Description
	5067-5917	InfinityLab Column Identification Tag Column (up to 30 cm length)

- Preparations**
- Install the Column ID Tag Reader (see “Install the Column ID Upgrade Kit” on page 92).
 - Remove the column if installed (see “Remove a Column from the ICC” on page 86).

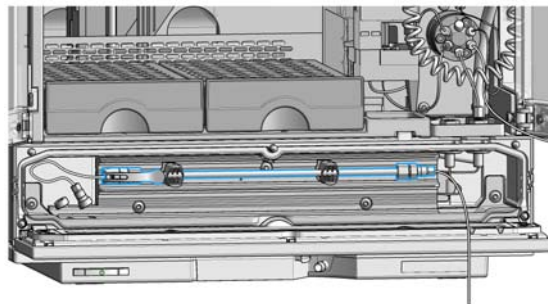
- 1** If the column is without a preinstalled identification tag, fit a new tag onto it by slipping the lanyard loop over one end of the column and pulling the cord tight through the plastic holder.



NOTE

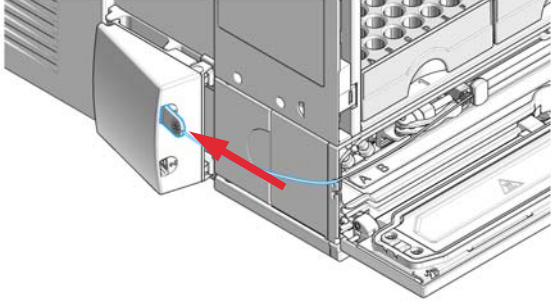
Once the lanyard is fixed, the tag can no longer be removed from the column.

- 2** Install the column in the ICC (see “Install a Column in the ICC” on page 82).

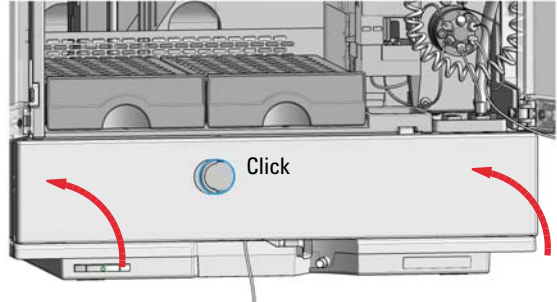


Install the Optional Integrated Column Compartment

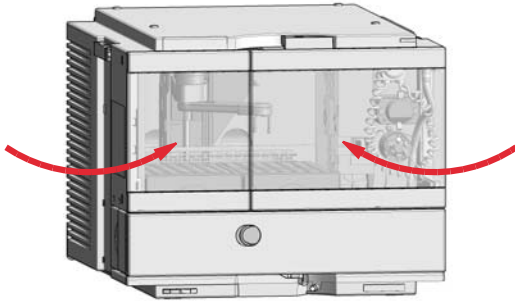
- 3 Route the cord to the left and plug the column identification tag into the corresponding socket of the tag reader.



- 4 Close the flap door until the latch is locked.



- 5 Close the doors.



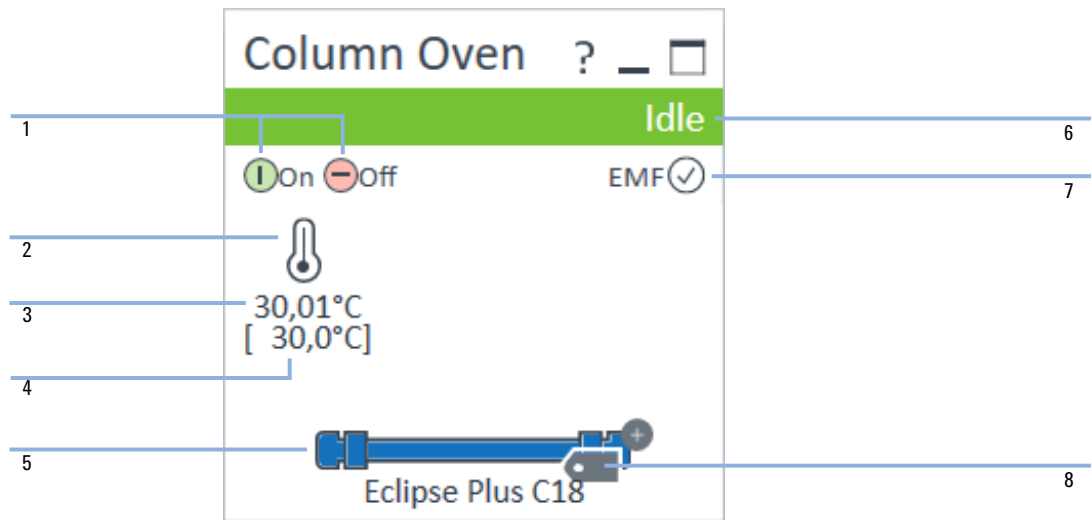
- 6 Configure the connected column with identification tag in the CDS (see "Column Assignment" on page 102 and "Using Column Identification Tags" on page 104).

Using the Optional Integrated Column Compartment

The following section describes how to operate the Agilent Integrated Column Compartment.

Dashboard

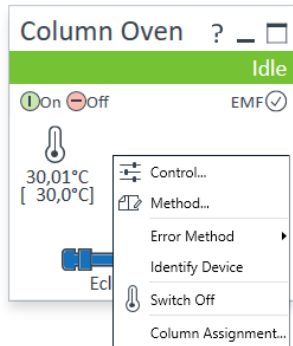
When the Integrated Column Compartment (ICC) is installed in a Vialsampler and configured in the chromatography data system (CDS), a new tile appears on the dashboard, comprising a standalone graphical user interface (GUI) for the ICC.



1	ICC: Turn On/Off
2	ICC: Heater Status (On/Off)
3	ICC: Actual Temperature
4	ICC: Set Temperature
5	ICC: Column Information
6	ICC: Status Indicator
7	ICC: Early Maintenance Feedback (EMF) Status
8	ICC: Column Identification Tag Recognised

Control Interface

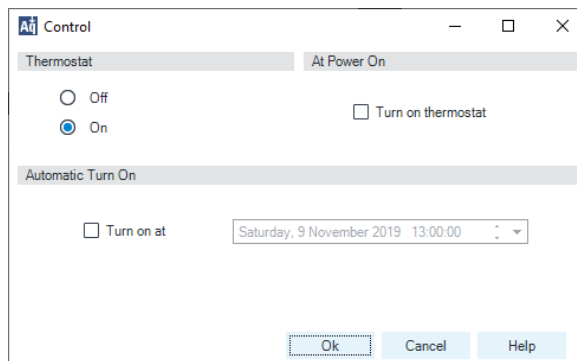
Right-clicking on the sampler GUI opens the control interface, where control and method parameters can be edited, column assignment modified, and special commands executed.



Control

The **Control** dialog box enables the user to change some control-specific settings for the ICC:

- **Thermostat:**
 - **On:** The ICC turns on and the system starts to regulate the temperature of the column oven towards the setpoint.
 - **Off:** The ICC turns off.
- **At Power On:**
 - **Turn on thermostat:** The ICC turns on automatically upon powering on the sampler.
- **Automatic Turn On:**
 - **Turn on at:** The ICC turns on automatically at the specified time and date.



Method Parameters

The **Method** dialog box enables the user to change the method parameters relevant for the ICC:

- **Temperature:**
 - **Not Controlled:** The temperature of the column oven stays uncontrolled.
 - **At specified temperature (°C):** The temperature of the column oven is regulated to stay at the setpoint temperature specified.

NOTE

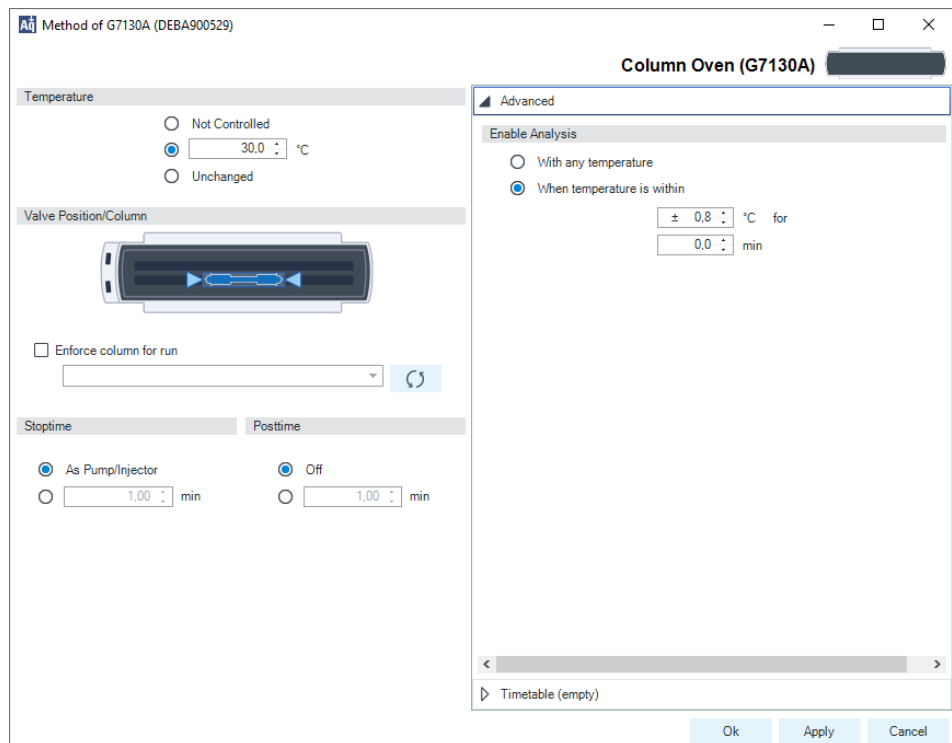
Valid inputs are 10 to 80 °C in increments of 0.1 °C.

- **Unchanged:** The temperature setting stays unchanged, meaning that the setting currently stored in the system is used by the method.
- **Valve Position/Column:** This section provides information about the location of the column that is being used for the given method.
 - **Enforce column for run:** Marking this checkbox restricts the execution of the method to a specific column type, identified by its product number.
- **Stoptime:**
 - **As Pump/Injector:** The ICC uses the same stoptime setting as specified for the pump or the sampler.
 - **After specified time (min):** The stop time defines a time limit for the analysis, after which all method parameters are reset to initial values.
- **Posttime:**
 - **Off:** No post-run period is applied.
 - **For specified time (min):** After the analysis, the system stays in the post-run state for the specified time. Using a post-time period can be beneficial when the column needs to be re-equilibrated before starting the next analysis (for example, gradient elutions).

NOTE

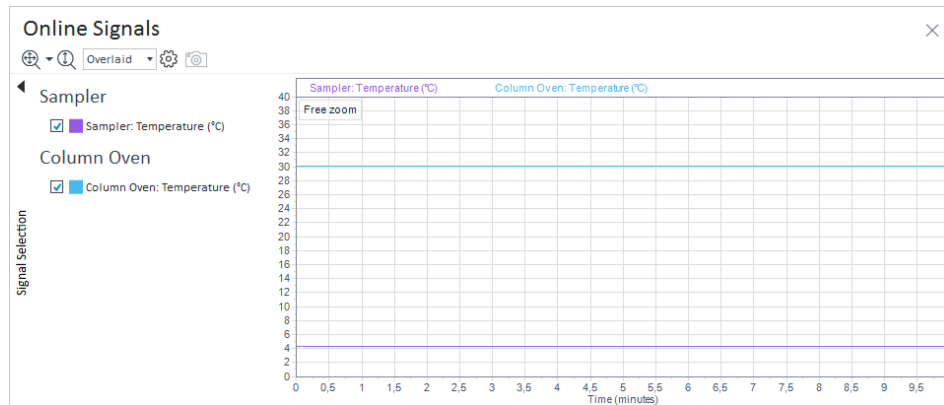
For **Stoptime** and **Posttime**, valid inputs are 0.01 to 99999 minutes in increments of 0.1 min.

- **Enable Analysis:**
 - **With any temperature:** The analysis starts regardless of the actual column oven temperature.
 - **When temperature is within:** The analysis starts only when the actual column oven temperature is within the specified range of the setpoint temperature.
- **Timetable:** This feature enables the user to use programmed changes to control the oven temperature during the course of the analysis.



Online Signals

In the **Online Signals** tab of the CDS, the actual temperature of the column oven can be configured and plotted together with the other instrument actuals. This enables the user to have a better overview of how the temperature changes over time.



Column Assignment

Clicking on **Column Assignment** in the control interface opens a dialog box, where the column information can be edited:

- **Plumbing:** The user can specify whether the column is located in the **Upper** or **Lower** position of the ICC heat exchanger, or indicate that no column is present in the ICC at all (**None**).
- **Visualization:** This section gives a visual representation of the column configuration in accordance with the information in the **Plumbing** section.
- **Column Tag Information:** This section holds information on the physical properties of the columns installed in the ICC and their usage (see “[Column Tag Information Table](#)” on page 103 for more information). The fields of the table can be edited and the information therein used for reporting purposes even if no column identification tags are present. This is often referred to as *soft tagging*. When the Column ID Upgrade Kit is installed and a column identification tag is present, the content of the table corresponds to the information stored on the tag. This is referred to as *hard tagging*.

NOTE

By default, the **Column Tag Information** table is truncated and only columns up to and including **Injections** are displayed. Clicking on **>>** in the top right corner displays the whole table.

Column Assignment

Plumbing

Position	Location
1	Upper

Visualization

Column Tag Information

Location	Color Code	Description	Length [mm]	Diameter [mm]	Particle Size [µm]	Max. Pressure [bar]	Injections
Upper	Blue	Eclipse Plus C18	50	4,6	1,8	600	0
Lower	None		0	0,0	0,0	0	0

Refresh Table Ok/Write Tag Cancel Help

Column Tag Information Table

The **Column Tag Information** table is part of the **Column Assignment** dialog box, which can be prompted by clicking on the corresponding button of the control interface.

Using Column Identification Tags

The Agilent InfinityLab Column Identification Tag is designed to enable the automatic detection of the columns installed in the column thermostat and help the user to track the usage of the columns in the laboratory. The column identification tag contains information about not only the physical properties of the column but also about its usage. Two types of information are stored:

- *Static* fields contain information on the physical characteristics of the column such as the length, internal diameter and particle size. Typically, this information stays the same for the lifetime of the column.
- *Dynamic* fields contain information on the usage of the column, such as the number of injections and maximum measured temperature. The information stored in the dynamic fields will be automatically updated each time a new analysis is performed with the column. These fields are read-only from the perspective of the user, meaning that their content cannot be manually edited or erased.

NOTE

The information in the dynamic fields cannot be erased by any means.

For *pre-labeled* Agilent columns, the static fields are pre-populated with information and set to read-only for compliance reasons, except for the **Void Volume** and **Comment** fields. The *dynamic* fields are blank by default and will be automatically edited by the system upon using the column.

On the contrary, *custom* column identification tags enable the user to edit the content for all *static* fields, as long as the tag is not sealed. This can be beneficial when using non-Agilent columns. After entering all the necessary information, the custom tag can be sealed to prevent any further modification of the content in the static fields. The content of the *dynamic* fields cannot be manually edited or erased, not even for the *custom* tags.

NOTE

When the column identification tag is sealed, the static fields will become write-protected and only the dynamic fields will remain available for updating. The only exceptions from this are the **Void Volume** and **Comment** *static* fields.

There are two ways to edit the content of custom column identification tags:

- One way is to type in all the necessary information manually, using the **Column Assignment** tab of the control interface (see “[Column Assignment](#)” on page 102 for more information).
- The other one is to import the data from a database (an existing catalog or inventory, or the Agilent columns guide). This option is available only for the OpenLab CDS ChemStation (C.02.07 SR2 or higher).

NOTE

It may take up to several seconds for the column tag to be read and the tables to be updated.

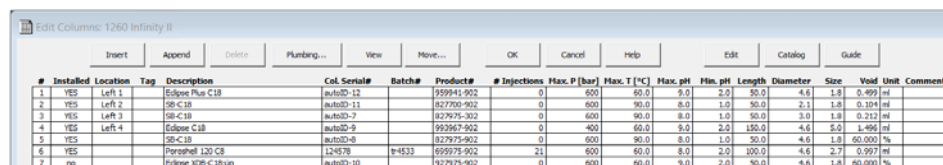
When plugging a new tag into the tag reader, the content that is stored on it will be automatically imported into the **Edit Columns** tab (only for OpenLab CDS ChemStation, see “[Using Column ID Tags with ChemStation](#)” on page 105 for more information) and the **Column Assignment** tab of the control interface (see “[Column Assignment](#)” on page 102 for more information).

Using Column ID Tags with ChemStation

- 1 In the **Method and Run Control** view of the Agilent OpenLAB CDS ChemStation Edition, select **Columns** from the **Instrument** menu.

The **Edit Columns** dialog box is displayed.

If the **Edit Columns** table is empty, go straight to Step 3.



#	Installed	Location	Tag	Description	Col. Serial#	Batch#	Product#	# Injections	Max. P [bar]	Max. T [°C]	Max. pH	Min. pH	Length	Diameter	Size	Void	Unit	Comment
1	YES	Left 1		Edge Plus C18	aut00-12		959941-902	0	600	60.0	9.0	2.0	50.0	4.6	1.8	0.499	ml	
2	YES	Left 2		98-C18	aut00-11		827200-902	0	600	90.0	8.0	1.0	50.0	2.1	1.8	0.194	ml	
3	YES	Left 3		98-C18	aut00-7		827975-902	0	600	90.0	8.0	1.0	50.0	3.0	1.8	0.212	ml	
4	YES	Left 4		Edge C18	aut00-9		953967-902	0	400	60.0	9.0	2.0	150.0	4.6	5.0	1.496	ml	
5	YES			98-C18	aut00-8		827975-902	0	600	90.0	8.0	1.0	50.0	4.6	1.8	60.000	%	
6	YES			Perosphere 120 C8	124578	4532	899975-902	21	600	60.0	8.0	2.0	100.0	4.6	2.71	0.997	ml	
7	no			Edge+ 100-C18 up	aut00-10		1927975-902	0	600	60.0	9.0	2.0	90.0	4.6	1.8	60.000	%	

Figure 20 The ChemStation Edit Columns table

- 2 Select a line in the table that contains column information as close as possible to the column you are adding. The selected line acts as a template for the new column.

NOTE

Column catalogs are available only in OpenLab CDS ChemStation Edition C.01.07 SR2 and above with drivers A.02.14 and above. Click the **Catalog** button to display a dialog box that allows you to choose how to load the catalog into the table.

Using the Module

Using the Optional Integrated Column Compartment

- Click the **Insert** button to insert a line above the currently selected line, or the **Append** button to add a line to the end of the table.

The new line contains a copy of the information in the template line.

- Click the **Edit** button to display a dialog box that allows you to edit the column-specific information such as **Serial Number**, **Batch Number** and **Description**.
- Add or edit the other column-specific information (for example, maximum pressure, maximum temperature, length, diameter, particle size) in the **Edit Columns** table.
- If the column is installed and will be used in the Multicolumn Thermostat, select **YES** in the **Installed** column.
- Click the **Plumbing** button.

The **Column Assignment** dialog box is displayed.

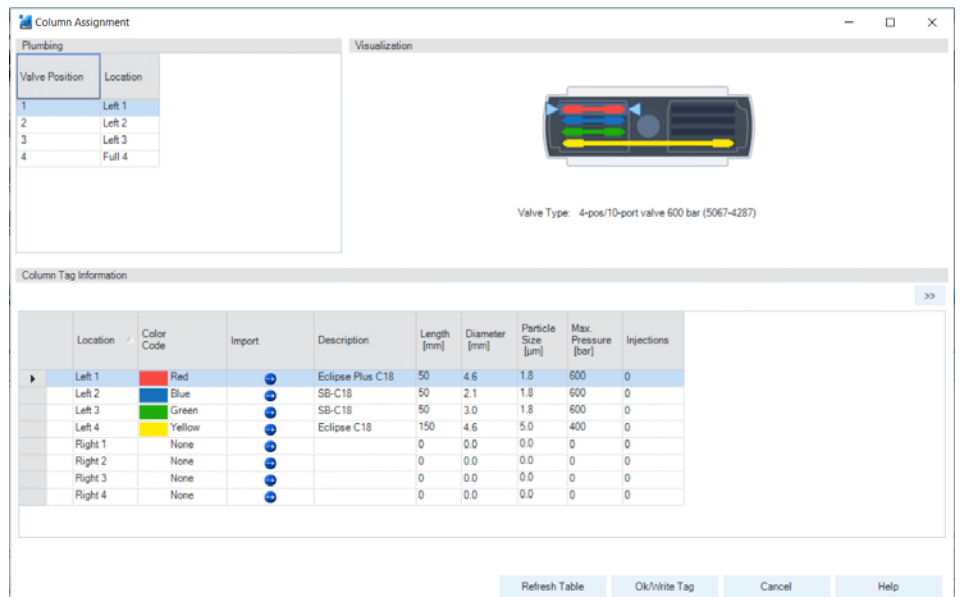

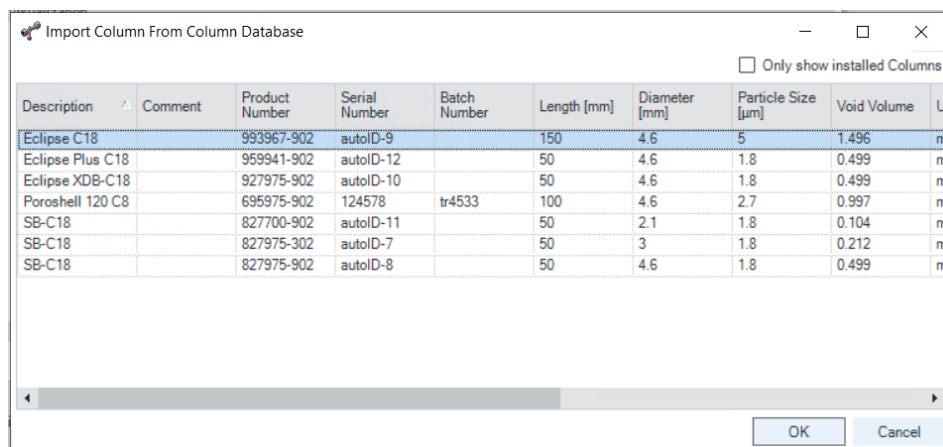


Figure 21 Column Assignment dialog box

The **Column Assignment** dialog box allows you to specify and review detailed information about the columns attached to each position in the column compartment. The information in the **Column Assignment** dialog box is in three sections:

- 1 The **Plumbing** section contains a table where you can specify the plumbing assignment for each valve position.
 - 2 The **Visualization** section gives a visual representation of the Multicolumn Thermostat configuration.
 - 3 The **Column Tag Information** table shows the information stored on the column tag(s) of the installed column(s). For more details, see “[The Column Tag Information Table](#)” on page 113.
- 8 Click  in the **Import** column of an empty line in the **Column Tag Information** table.

The list of columns from the ChemStation's **Edit Columns** table is displayed.



Description	Comment	Product Number	Serial Number	Batch Number	Length [mm]	Diameter [mm]	Particle Size [µm]	Void Volume	U
Eclipse C18		993967-902	autolD-9		150	4.6	5	1.496	n
Eclipse Plus C18		959941-902	autolD-12		50	4.6	1.8	0.499	n
Eclipse XDB-C18		927975-902	autolD-10		50	4.6	1.8	0.499	n
Poroshell 120 C8		695975-902	124578	tr4533	100	4.6	2.7	0.997	n
SB-C18		827700-902	autolD-11		50	2.1	1.8	0.104	n
SB-C18		827975-302	autolD-7		50	3	1.8	0.212	n
SB-C18		827975-902	autolD-8		50	4.6	1.8	0.499	n

Figure 22 The list of columns from the ChemStation's Edit Columns table

To reduce the list to only those columns that are marked as **Installed**, mark the **Only show installed Columns** check box.

- 9 Select the column information to import from the list of columns and click **OK**.
The column information is imported into the **Column Tag Information** table.

NOTE

It may take several seconds before the information appears in the **Column Tag Information** table.

NOTE

The characters semicolon (;), single quote (') and double quote (") are invalid for the **Column Tag Information** table. If these characters are used in any field of the table, an error is displayed, and **OK/Write Tag** button is disabled. You must delete all invalid characters before you can write the data to the tag.

The **Description** field is limited to 32 characters in the **Column Tag Information** table.

NOTE

At this stage, you can assign a color to the column using the drop-down list in the **Color Code** column; this information is displayed in the **Visualization** panel, but is not written to the tag.

- 10 Click the **>>** button at the top right of the **Column Tag Information** table to show the hidden table columns. Use the horizontal scroll bar to access the columns at the right of the table.
- 11 If all the information for the column is correct, click the **Ok/Write Tag** button to write the information to the column ID tag.
The information in the ChemStation's **Edit Columns** table is also updated.
- 12 You can edit the information on the column ID tag using the ChemStation **Edit Columns** table. When you have finished editing the information, repeat steps 7 to 9 to update the information in the tag.

- 13 When you are sure that you will not make any more changes to the information in the tag, you can irrevocably seal the tag to set all static fields to read-only. Right-click in the appropriate line in the **Column Tag Information** table and select **Seal Column Tag** from the context menu.


Location	Color Code	Import	Description	Length [mm]	Diameter [mm]	Particle Size [µm]	Max. Pressure [bar]	Injections
Left 1	Red	Dead	Eclipse Plus C18	50	4.6	1.8	600	0
			Poroshell 120 EC-C18, 1000 bar	100	3.0	2.7	1000	0
			SB-C18	50	3.0	1.8	600	0
			Eclipse C18	150	4.6	5.0	400	0
				0	0.0	0.0	0	0
				0	0.0	0.0	0	0
Right 3	None			0	0.0	0.0	0	0
Right 4	None			0	0.0	0.0	0	0

Figure 23 The Column Tag Information table context menu

NOTE

Once a column ID tag has been sealed, the static fields cannot be edited.

Until the column ID tag has been sealed, you can delete all information in static fields on the tag using the **Clear Column Tag Information** command from the context menu.

The sealed column is shown in the **Column Tag Information** table with the  icon at the beginning of the row. In the **Edit Columns** table of the ChemStation, it is shown with **Sealed** in the **Tag** column.

Using the Module

Using the Optional Integrated Column Compartment

The **Plumbing** button of the ChemStation **Edit Columns** table displays the **Column Assignment** dialog box, which can also be displayed by selecting **Column Assignment** from the context menu of the column compartment Dashboard panel in the ChemStation's **Method and Control** view.

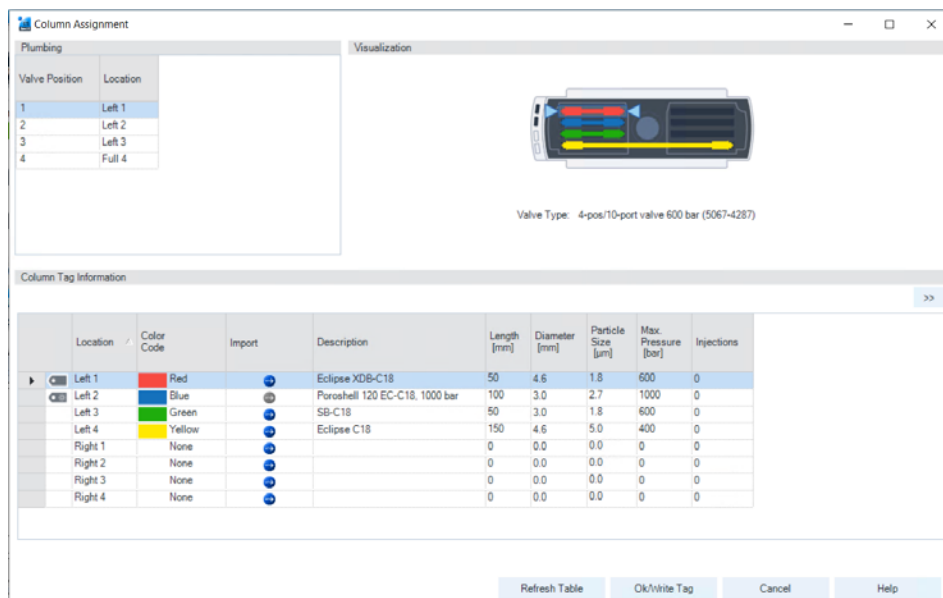


Figure 24 Column Assignment dialog box overview

The **Column Assignment** dialog box has three sections that give you information about the column:

- The **Plumbing** section shows the valve connections to the positions in the column compartment.

NOTE

Make the connections to give the shortest distances between the valve ports and the columns, and use a logical order (left column 1 to port 1-1, left column 2 to port 2-2 and so on). Avoid leaving unused ports between used ones.

- The **Visualization** section gives a visual representation of the configuration of the columns in the column compartment; the columns are color coded.
 - Place the mouse cursor over a column to display a tooltip of the column information from the column ID tag.
 - Click on a column to highlight the column information in the **Column Tag Information** table.
- The **Column Tag Information** shows the information in the column ID tags for all columns in the configuration, including their location in the column compartment and their color codes.

The column compartment panel of the Dashboard in the ChemStation's **Method and Control** view also allows you a quick view of the column ID tag information.

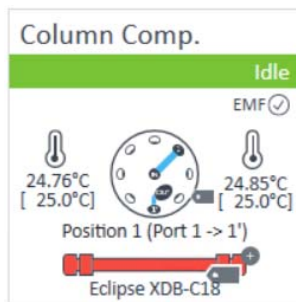



Figure 25 The dashboard panel of the column compartment

Place the mouse cursor over the column ID tag icon (); the tooltip shows the information currently stored on the column ID tag.

Note that the column ID tag icon changes according to its state as described in “The Column Tag Information Table” on page 113.

Availability of Column Information

The ChemStation Columns Table

The **Edit Columns** dialog box, which you access using the **Columns** command of the **Instrument** menu in **Method and Run Control** view, shows the detailed information about the columns attached to each position in the device. The table contains all the column-specific information stored in the column ID tags (see “[Column Tag Information](#)” on page 114) plus the following possible additional columns:

Installed	YES when the column is installed in a device. no when the column is not installed in a device.
Location	Shows the location in the device to which the plumbing of the valve position leads.
Dev. Serial#	Present only for a valve thermostat cluster. Shows the serial number of the device that contains the column.
Tag	Shows if the column has column ID tag (Used), if it sealed (Sealed) or the column has no tag (empty).





The table includes not only the columns that are installed in the column thermostat device(s), but also the inventory of other available columns, for example, columns that have been used in the past. The ChemStation also provides a catalog of column types, which you can load into the **Edit Columns** table to act as templates for other columns.

Using the Module

Using the Optional Integrated Column Compartment

The Column Tag Information Table

The **Column Assignment** dialog box, which you access using the **Column Assignment** command of the Dashboard context menu, shows the detailed information about the columns attached to each position in the device. The dialog box includes the **Column Tag Information** table which contains all the column-specific information stored on the column ID tags (see “[Column Tag Information](#)” on page 114) plus the following possible additional columns:

Tag Status	<p>shows the status of the column ID tag:</p> <ul style="list-style-type: none"> • Empty: The position is empty or has a column without a column ID tag. • : A column with a column ID tag is installed at this position. • : A column with a sealed column ID tag is installed at this position. • : A column with a pre-labeled column ID tag supplied by Agilent Technologies is installed at this position.
Location	<p>shows the location in the device to which the plumbing of the valve position leads.</p> <p>For a valve thermostat cluster, the Column Host (the device where the column is installed) is also shown.</p>
Color Code	<p>shows the color representing the column currently occupying the valve position.</p>
Import	<p>present only when the CDS is an Agilent OpenLAB CDS ChemStation Edition.</p> <p>Click the  icon to display a dialog box listing all the columns entered in the ChemStation's Edit Columns table, from which you can select appropriate information to import.</p>

By default, only the **Column Tag Information** table columns up to and including the **Injection** column are displayed. Click the >> button at the top right of the table to show the full table.

Column Tag Information

The column ID tag contains the following information:

Field	Description	Type	Read/Write permission pre-labeled tag	Read/Write permission custom tag
Description	A description of the column.	Static	Read	Write
Length	The length of the column in mm.	Static	Read	Write
Diameter	The internal diameter of the column in mm.	Static	Read	Write
Particle Size	The particle size of the column packing material in μm .	Static	Read	Write
Maximum Pressure	The maximum pressure supported by the column.	Static	Read	Write
Number of Injections	The number of injections that have been made on the column.	Dynamic	Read	Read
Product Number	The product number of the column.	Static	Read	Write
Maximum Measured Temperature	The highest temperature (in $^{\circ}\text{C}$) experienced by the column to date.	Dynamic	Read	Read
Maximum Temperature	The safe maximum operating temperature of the column (in $^{\circ}\text{C}$).	Static	Read	Write
Minimum pH	The minimum pH supported by the column.	Static	Read	Write
Maximum pH	The maximum pH supported by the column.	Static	Read	Write
Void Volume (mL)	The void volume of the column and fittings.	Static	Write	Write
First Injection	The date and time of the first injection onto the column.	Dynamic	Read	Read
Recent Injection	The date and time of the most recent injection onto the column.	Dynamic	Read	Read
Manufacturing Date	The date of manufacture of the column.	Static	Read	Write
Agilent Column	Whether or not the column was supplied by Agilent Technologies.	Static	Read	Write
Serial Number	The serial number of the column.	Static	Read	Write
Batch Number	The batch number of the column.	Static	Read	Write

Field	Description	Type	Read/Write permission pre-labeled tag	Read/Write permission custom tag
Tag Sealed	Whether or not all static fields except Comment and Void Volume are set irrevocably to read-only.	Static	Read	Write
Comment	A user-generated comment about the column.	Static	Write	Write

Install the Optional Sample Cooler/Sample Thermostat

Unpacking the Unit

Damaged Packaging

If the delivery packaging shows signs of external damage, please call your Agilent Technologies sales and service office immediately. Inform your service representative that the instrument may have been damaged during shipment.

CAUTION

"Defective on arrival" problems

If there are signs of damage, please do not attempt to install the module. Inspection by Agilent is required to evaluate if the instrument is in good condition or damaged.

- ✓ **Notify your Agilent sales and service office about the damage.**
- ✓ **An Agilent service representative will inspect the instrument at your site and initiate appropriate actions.**

Delivery Checklist

Ensure that all parts and materials have been delivered with your module. The delivery checklist is shown below. For parts identification, please check the illustrated parts breakdown in ["Sample Thermostat Upgrade"](#) on page 287. Please report any missing or damaged parts to your local Agilent Technologies sales and service office.

Table 12 Delivery checklist for the Sample Thermostat

Description	Quantity
Sample Thermostat (G7167-60101)	1
Condensate Drainage Kit (5067-6208)	1
Declaration of Conformity	1
Customer Letter	1

NOTE

The Agilent Infinity II Sample Cooler is not available for trade sales anymore and has been replaced by the Agilent InfinityLab Sample Thermostat.

Install the Sample Cooler/Sample Thermostat

Tools required	p/n	Description
	8710-0899	Screwdriver Pozidrive Shaft (for the Sample Cooler)
	5182-3466	Torx screwdriver T10 (for the Sample Thermostat)
OR	5023-3089	Torx key set

Parts required	#	p/n	Description
	1		Sampler
	1	G7167-60005	Sample Cooler
OR	1	G7167-60101	Sample Thermostat
	1		Power cord
	1	5067-6208	Condensate Drainage Kit

Preparations Sampler is installed in the stack.

WARNING

Flammable refrigerant

Formation of flammable gas-air mixtures inside the Sample Thermostat and laboratory.

- ✓ Keep open fire or sources of ignition away from the device.
- ✓ Ensure a room size of 4 m³ (1 m³ for every 8 g of R600a refrigerant inside of the Sample Thermostat).
- ✓ Ensure adequate ventilation: typical air exchange of 25 m³/h per m² of laboratory floor area.
- ✓ Keep all ventilation openings in the enclosure clear of obstructions. Do not block the openings on the circumference of the Sample Thermostat.

WARNING

Flammable refrigerant used

- ✓ When handling, installing and operating the Sample Thermostat, care should be taken to avoid damage to the refrigerant tubing or any part of the Sample Thermostat.

CAUTION**Condensate inside the Sample Cooler/Sample Thermostat****Damage to the electronics of the module**

- ✓ After installation of the Sample Cooler/Sample Thermostat, wait at least 30 min before switching on the module.
- ✓ Make sure there is no condensate inside the module.

WARNING**In the event of a damage**

- ✓ Keep open fire or sources of ignition away from the device.
- ✓ Ventilate the room for several minutes.
- ✓ Do not use the Sample Thermostat any more.

NOTE

Do not open the Sample Thermostat. There are no serviceable parts inside.

NOTE

If the Sample Cooler/Sample Thermostat is disconnected from the power supply, wait for at least five minutes before replugging and switching on the compressor again.

NOTE

Even under average humidity conditions, a significant amount of condensed water gathers every day. A suitable container must be provided and emptied regularly to avoid overflow.

NOTE

For best performance of the Sample Cooler/Sample Thermostat, all drawers must be installed in the sampler. For the Multisampler, use dummy drawers (G4267-60024) if no full hotel configuration is needed.

NOTE

For the Sample Cooler installation in a sampler, the serial number of the Sample Cooler must be DEBAT02001 or higher.

NOTE

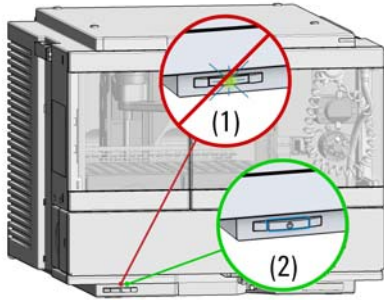
Depending on the ambient conditions in the lab, the amount of condensate can vary from 200 mL to 2 L per day. Do not fill waste containers for the condensate to the top. Regularly empty the waste container.

3

Using the Module

Install the Optional Sample Cooler/Sample Thermostat

- 1 Ensure that the power switch on the front of the module is OFF (switch stands out).



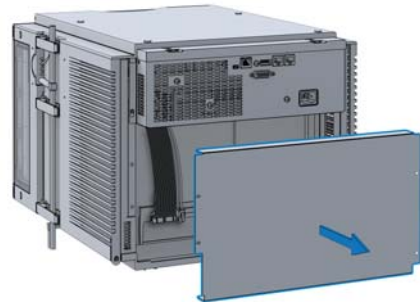
- 2 Disconnect the power cable from the sampler.



- 3 Loosen the four screws on the rear of the module.



- 4 Remove the sheet metal back cover of the sampler.



- 5 Slide the Sample Cooler/Sample Thermostat halfway into the sampler.



WARNING

Module is partially energized when switched off, as long as the power cord is plugged in. Repair work at the module can lead to personal injuries, e.g. shock hazard, when the cover is opened and the module is connected to power.

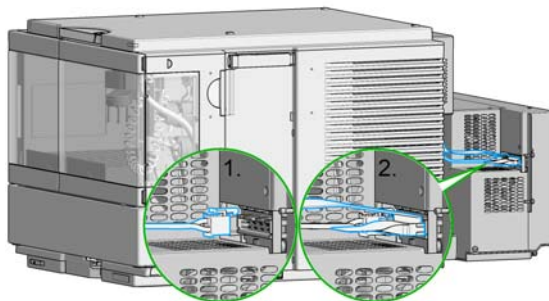
- ✓ Make sure that it is always possible to access the power plug.
- ✓ Do not use the Sample Cooler/Sample Thermostat if it is not operating correctly or has been damaged. Disconnect it from the power supply and call your local service center.
- ✓ Remove the power cable from the module before opening the cover.
- ✓ Do not connect the power cable to the module while the covers are removed.
- ✓ If the Sample Cooler/Sample Thermostat is disconnected from the power supply, you should wait for at least five minutes before switching on the compressor.

CAUTION

Damaged electronics

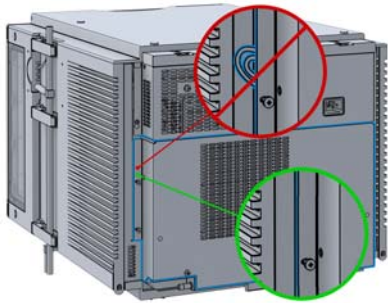
- ✓ To avoid damages of the electronics of the module make sure the power cords are unplugged before disconnecting or reconnecting the sampler to the Sample Cooler/Sample Thermostat cables.

- 6 Connect the power cable and the data cable to the Sample Cooler/Sample Thermostat.



CAUTION**Damage to the cables**

- ✓ Do not bend or pinch the cables.
 - ✓ Make sure that the Sample Cooler/Sample Thermostat fits perfectly in the sampler.
- 7 Slide the Sample Cooler/Sample Thermostat all the way into the sampler.



- 8 Fix the Sample Cooler/Sample Thermostat with the four screws.

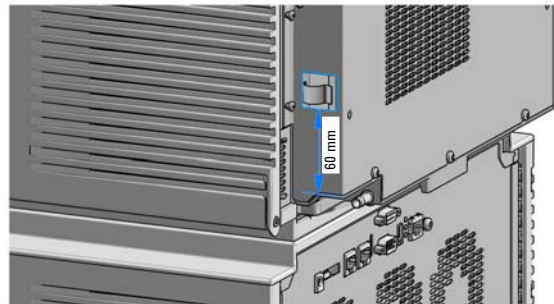


- 9 Use a bubble level to check the leveling of the sampler.

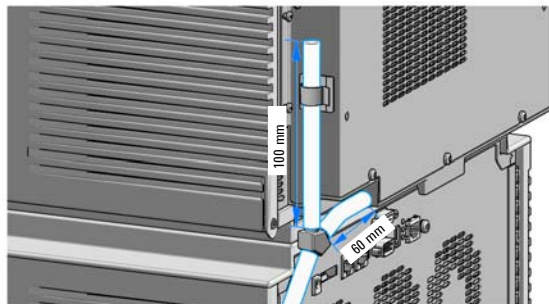
NOTE

To ensure adequate drainage for condensate, the module should be operated in a proper horizontal position.

- 10 Adhere a tubing holder clamp to the side of the cooler/thermostat where the drain pipe is situated. Ensure a distance of 60 mm from the bottom edge.



- 11** Mount the condensate tubing assembly with the y-connector on the drainpipe and fix the venting tube in the tubing holder clamp.



NOTE

The condensate handling system should be installed in a way that it allows a continuous slope for the drained liquid. Horizontal or uphill sections may hinder the drainage.

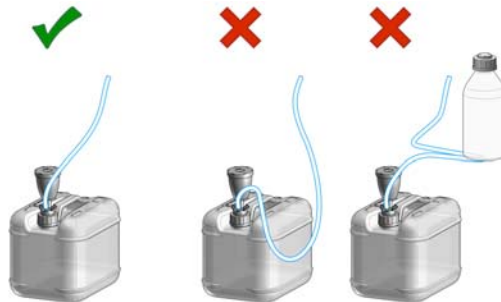
CAUTION

Damage to the Sample Cooler/Sample Thermostat

- ✓ Wait at least 30 min before switching on the compressor of the cooler/thermostat.
 - ✓ This allows the refrigerant and system lubrication to reach equilibrium.
- 13** Connect the power cable to the power connector at the rear of the module.



- 12** Ensure that the tubing runs straight into the waste container without any bends or joints and that it is free end does not immerse in the liquid.



NOTE

For more information, refer to "Leak and Waste Handling" on page 27.

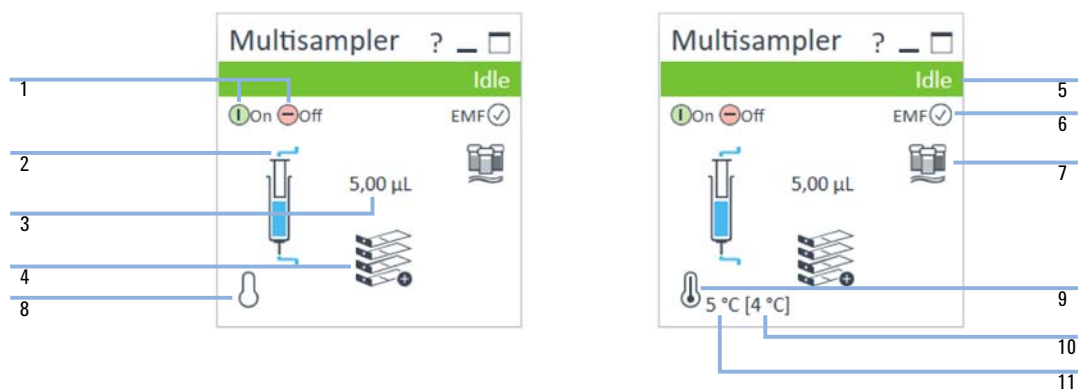
- 14** Configure the Sample Cooler/Sample Thermostat in the CDS.

Using the Optional Sample Cooler/Sample Thermostat

The following section describes how to operate the Agilent Infinity II Sample Cooler and the Agilent InfinityLab Sample Thermostat using the Multisampler as an example for the hosting sampler. The operation principle is the same for any other Infinity II sampler type.

Dashboard

The status indicator of the Sample Cooler/Sample Thermostat is incorporated in the graphical user interface (GUI) of the hosting sampler, which appears automatically when the unit is configured in the chromatography data system (CDS). When the cooler/thermostat is turned on, the set temperature and the actual temperature are also displayed.



1	Sampler: Turn On/Off
2	Sampler: Analytical head configuration
3	Sampler: Injection volume
4	Sampler: Hotel configuration
5	Sampler: Status indicator
6	Sampler: Early Maintenance Feedback (EMF) status
7	Sampler: Multiwash installed
8	Cooler/Thermostat: Status indicator (Off)
9	Cooler/Thermostat: Status indicator (On)
10	Cooler/Thermostat: Set temperature
11	Cooler/Thermostat: Actual temperature

NOTE

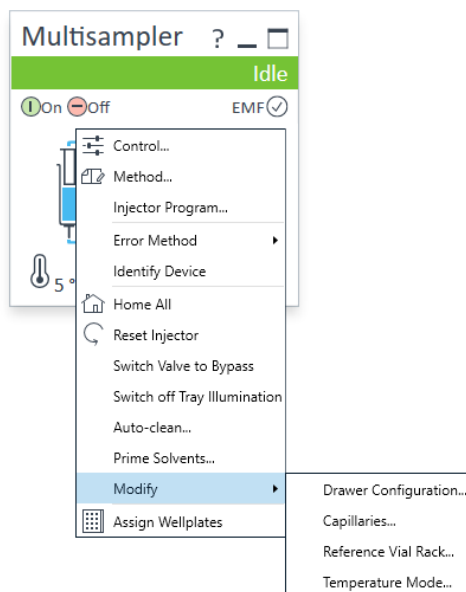
The actual temperature may deviate from the set temperature by up to 3 °C, depending on the temperature setting and ambient conditions.

NOTE

If the actual temperature differs by more than ± 2 °C from the set temperature, a yellow highlight is visible around the temperature reading. This, however, will not prevent the system from starting a new analysis, unless the **Enable Analysis> Temperature within +/- 2 °C function** is selected.

Control Interface

Right-clicking the sampler GUI will prompt the control interface, where control and method parameters can be edited, configuration modified, and special commands executed.



Control

With the Sample Cooler/Sample Thermostat installed, the **Control** dialog box of the hosting Infinity II sampler will include the following cooler/thermostat-specific control options:

- **At Power On:**
 - **Turn On Thermostat:** The cooler/thermostat turns on automatically upon powering on the sampler.
- **Thermostat:**
 - **On:** The cooler/thermostat turns on and the system starts to regulate the temperature inside the sample space towards the setpoint.

NOTE

For the Sample Cooler, the set temperature must be at least 5 °C below ambient for proper temperature control.

- **Off:** The cooler/thermostat turns off.
- **Enable Analysis**

NOTE

The **Enable Analysis** control setting is available since LC & CE drivers A.02.19.

- **With any temperature:** The analysis starts regardless of the actual temperature inside the sampler.
- **Temperature within +/- 2 °C:** The analysis starts only when the actual temperature is within the ± 2 °C range of the setpoint temperature.

NOTE

The **Temperature within +/- 2 °C** option is only available for the Sample Thermostat.

Using the Module

Using the Optional Sample Cooler/Sample Thermostat

The screenshot shows a software dialog box titled "Control" with a standard Windows window border (minimize, maximize, close buttons). The dialog is organized into several sections:

- Missing Vessel:** Contains a checkbox labeled "Ignore missing vessel".
- Illumination:** Contains two radio buttons: "On" (selected) and "Off".
- At Power On:** Contains a checkbox labeled "Turn on Thermostat".
- Thermostat:** Contains two radio buttons: "On" (selected) and "Off". Next to the "On" radio button is a temperature input field showing "4" and a unit label "°C".
- Automatic Turn On:** Contains a checkbox labeled "Turn on at" and a date/time dropdown menu showing "Wednesday, 30 October 2019 02:00:00".
- Pump connected to Sampler:** Contains a dropdown menu showing "not linked".
- Clear Workspace:** Contains a dropdown menu showing "At End of Analysis".
- Enable Analysis:** Contains two radio buttons: "With any temperature" (selected) and "Temperature within +/- 2 degrees Celsius".

At the bottom right of the dialog are three buttons: "Ok", "Cancel", and "Help".

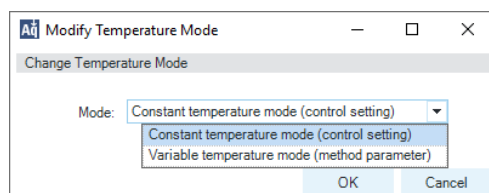
Temperature Mode

Selecting **Modify> Temperature Mode** in the **Control Interface** will prompt a dialog box, where the temperature control mode can be switched between being a method parameter or a system (control) setting:

- **Constant Temperature Mode:** The temperature control mode is defined as a system (control) setting, meaning that the temperature setting is independent of the method parameters. The temperature stays constant for all methods within a given sequence. This control mode is the default option and recommended for most applications.
- **Variable Temperature Mode:** The temperature control mode is defined as a method parameter, meaning that the temperature setting is part of the method parameters. The temperature can change from method to method within a given sequence. This control mode is not recommended for most analytical workflows but might be used for some special applications, such as degradation studies.

NOTE

For modifying the temperature mode, LC & CE drivers A.02.12 or higher are required. If the system is run on an earlier driver version, the temperature mode is defined as a system setting.

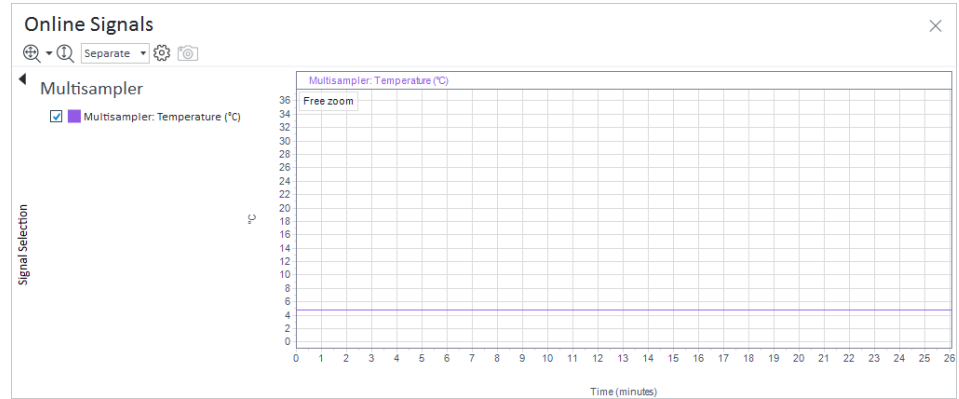


Before using the **Variable Temperature Mode** setting, here are some hints and tips to consider:

- Changing the temperature setting from one method to another will affect all samples inside the sampler.
- Depending on the extent of the temperature change, it could take up to a couple of hours until the sample temperature stabilizes at the new setpoint (for example, from 4 to 40 °C or vice versa).
- It might be beneficial to use the **Temperature within +/- 2 °C** function; otherwise, the next run will start without waiting for the new setpoint being reached.

Online Signals

In the **Online Signals** tab of the CDS, the actual temperature of the sample space can be configured and plotted together with the other instrument actuals. This enables the user to have a better overview of how the temperature changes over time.



Reporting Sample Temperature

The actual and setpoint temperature can be included in the analysis report. For this, the **Samples > Advanced Run Information** field must be included in the report template.

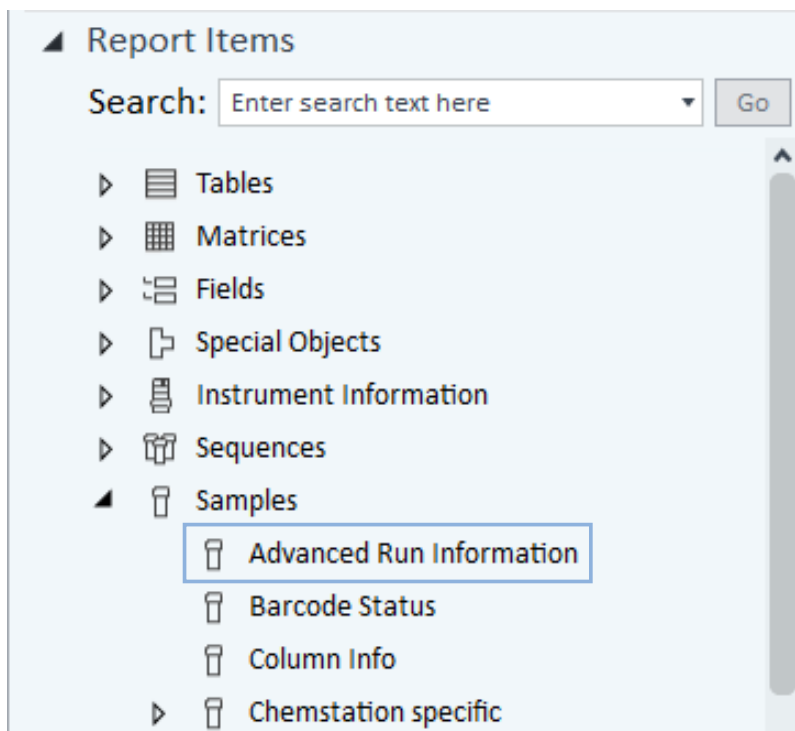


Figure 26 Finding the Advanced Run Information setting in OpenLab CDS 2.4.

Method Events

Module	Name	Value
Sampler	Run start - Temperature	5 °C
Sampler	Run start - Temperature setpoint	4 °C
Sampler	Run stop - Temperature	5 °C
Sampler	Run stop - Temperature setpoint	4 °C

Figure 27 Reporting actual and setpoint temperature using the Advanced Run Information setting.

NOTE

For OpenLab CDS ChemStation, this option is only available in Intelligent Reporting.

Operation Information

Reaching Setpoint Temperature

Depending on the ambient conditions and the sampler configuration (for example, hotel configuration for the Multisampler), reaching the setpoint temperature can take from 30 min up to a couple of hours.

NOTE

Reaching the 4 °C setpoint from an ambient temperature of 22 °C takes about 45 min for the Vialsampler (G7129A/B/C or G7157A), as well as for the Multisampler (G7167A/B, G5668A, or G4767A) with a single 2H drawer installed.

NOTE

This relatively slow ramping down of the temperature is necessary to avoid ice formation.

NOTE

For the best performance of the Sample Cooler/Sample Thermostat, all drawers must be installed in the sampler. For the Multisampler, use dummy drawers if no full hotel configuration is needed.

Condensate Formation

Operating the cooler/thermostat at temperatures below ambient results in condensate formation. This condensed water is collected in the base plate of the cooler/thermostat and drained through the drainpipe at the back of the unit. The container for condensate collection should be regularly emptied to ensure the proper functioning of the system.

NOTE

If the container is overfilled or the condensate tubing is blocked, the condensate sensor is triggered, rendering the HPLC system to enter the error state (see [“Sample temperature control switched off due to condensate”](#) on page 213).

NOTE

Depending on the ambient conditions in the lab, the amount of condensate can vary from 200 mL to 2 L per day. Waste containers for the condensate should not be filled to the top. The waste container must be emptied regularly.

Dew Formation

Setting the cooler/thermostat from a lower to a higher temperature setpoint, or just simply turning it off, can result in dew formation on the internal surfaces of the sampler. This is normal and should cease after a couple of hours at the most.

Frequent Door/Drawer Opening

Opening the door(s) and/or the sample drawers frequently can compromise the temperature stability, as fresh warm and humid air will enter each time. In a highly humid environment, this could also lead to the formation of significant amounts of condensate on the internal surfaces of the sampler.

Ice Formation

The Sample Cooler/Sample Thermostat was designed to operate without the risk of icing. In an unlikely event of ice formation, turn off the cooler/thermostat and wait until it defrosts.

NOTE

Do not use mechanical devices or other means to accelerate the defrosting process.

Shutting Down

When the Sample Cooler/Sample Thermostat needs to be turned off for the night or a longer period, the following best practices are recommended:

- Remove all sample containers and/or vials from the sampler.
- Let the system reach the ambient temperature. Opening the door(s) of the sampler facilitates this process.
- Remove any condensate that might appear on the sample drawers or the internal surfaces of the sampler.
- Make sure that all condensate is removed from the cooler/thermostat.

NOTE

Gently tapping on the sides of the sampler facilitates the condensate removal. Tilting the module towards its right back corner is not recommended as it can damage the internal parts.

Transporting the Sampler

Prepare a Sampler Without Cooler/Thermostat for Transportation

When The module needs to be transported or relocated.

WARNING

Heavy weight

The module is heavy.

- ✓ Carry the module at least with 2 people.
- ✓ Avoid back strain or injury by following all precautions for lifting heavy objects.
- ✓ Ensure that the load is as close to your body as possible.
- ✓ Ensure that you can cope with the weight of your load.

CAUTION

Unsecured transportation

Mechanical damage

- ✓ Secure the transport assembly before transporting the sampler.

- 1 Remove all vials from the vial drawers.
- 2 Move the transport assembly to the park position using Instant Pilot or Lab Advisor, see ["Park Arm"](#) on page 186.
- 3 Turn off the sampler.
- 4 Install the Transport Protection Foam, see ["Install the Transport Protection Foam"](#) on page 135.

Prepare a Sampler with Cooler/Thermostat for Transportation

When The module needs to be transported or relocated.

WARNING

Heavy weight

The module is heavy.

- ✓ Carry the module at least with 2 people.
- ✓ Avoid back strain or injury by following all precautions for lifting heavy objects.
- ✓ Ensure that the load is as close to your body as possible.
- ✓ Ensure that you can cope with the weight of your load.

CAUTION

Condensate inside the cooler or thermostat

Damage to the electronics

- ✓ Unplug the power cords.
- ✓ Drain off all condensate before dismounting the sample cooler or thermostat.
- ✓ Make sure that there is no condensate left.

CAUTION

Unsecured transportation

Mechanical damage

- ✓ Secure the transport assembly before transporting the sampler.

NOTE

Moving the sampler with the Sample Cooler/Sample Thermostat installed is possible for short distances (for example, from one workbench to another). For longer transportation, remove the cooler/thermostat from the sampler and handle the units separately.

Using the Module

Transporting the Sampler

- 1 Turn off the Sample Cooler/Sample Thermostat.
- 2 Remove condensate.
 - a Place a suitable container underneath the outlet pipe.
 - b Remove the drainage tube.
 - c Gently tap the sides of the sampler several times to facilitate the drainage of the condensate from the system.

NOTE

Do not tilt the module to avoid damage to the internal parts.

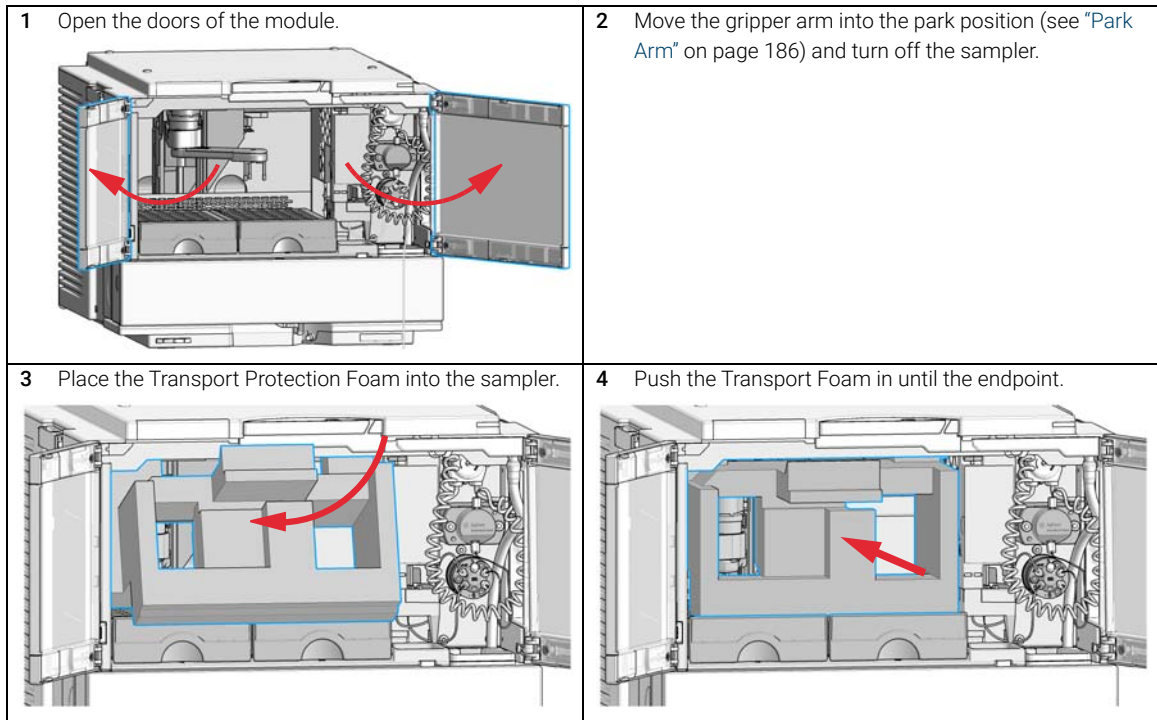
- 3 Remove all vials from the vial drawers.
- 4 Move the transport assembly to the park position using Instant Pilot or Lab Advisor, see ["Park Arm"](#) on page 186.
- 5 Turn off the sampler.
- 6 Install the Transport Protection Foam, see ["Install the Transport Protection Foam"](#) on page 135.
- 7 Remove the Sample Cooler/Sample Thermostat from the sampler if needed, see ["Replace the Sample Cooler/Sample Thermostat"](#) on page 270.

Install the Transport Protection Foam

When To secure the transport arm before transporting or shipping the sampler.

Parts required	p/n	Description
	G7129-40050	Transport Protection Foam

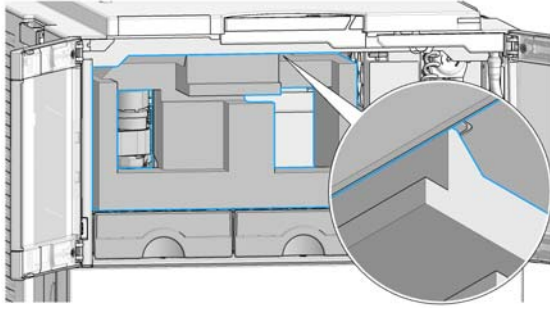
Preparations All vials are removed from the vial drawers.



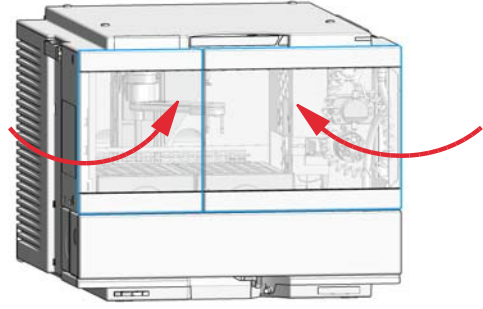
Using the Module

Transporting the Sampler

- 5 Ensure that the foam is snapped behind the upper part of the metal frame.



- 6 Close the doors.



Agilent Local Control Modules

Agilent InfinityLab Companion G7108AA

The Agilent InfinityLab Companion gives you complete control, system monitoring, signal plotting and diagnostic capabilities for a wide range of LC system modules.

The instrument control solution is available as full package including all hardware and accessories, but can also be used on your own mobile devices like tablets, mobile phones and other electronic equipment.

Combining the conveniences of the Agilent Instant Pilot features with state of the art mobile technology, the Agilent InfinityLab Companion gives you maximum flexibility and ease of use to control and monitor your LC system modules.

Features:

- Complete local control and monitoring of Agilent Infinity II Prime LC Modules
- Excellent usability and ease of use through a user interface specifically tailored for mobile devices - simple, intuitive touch-enabled and visual controllable.
- High flexibility through a modern “Bring your own device” approach. Connection between LC module and mobile device either wireless via WLAN or wired over USB cable (with full package).
- Convenient, ergonomic operation either handheld or attached to a module at the stack with newly developed, secure tablet holder (included in the full package).
- Preconfigured tablet with all required software already installed (included in the full package).
- Centerpiece of the solution is a USB dongle that activates the complete intelligence of the InfinityLab Companion on the instrument stack.

The InfinityLab Companion provides:

- fast and direct control in front of the instrument
- a clear overview of the system status
- control functionalities
- access to method parameters and sequences
- a logbook showing events from the modules
- diagnose tests

Using the Module

Agilent Local Control Modules

Agilent 1200 Infinity Series Instant Pilot G4208A

The Agilent 1200 Infinity Series Instant Pilot controller gives you complete control, system monitoring, signal plotting, and diagnostic capabilities for a virtually unlimited number of LC system modules. It is connected to the LC system with a CAN cable for power supply and communication.

Features:

- Complete local control and monitoring of an Agilent 1200 Series, 1260 Infinity, and 1290 Infinity system or a single module from a single point. However, not for Agilent 1220 Compact LC.
- Mixed system configurations supported, for example, 1200 Series, 1200 Series SL-, and 1100 Series.
- Excellent readability and usability by large colored display with background light, high resolution, and contrast.
- Convenient, ergonomic operation either handheld or at the stack with newly developed, secure attachment.
- Handheld or attached to a module in a stack to facilitate operator preferences.

The 1200 Infinity Series Instant Pilot provides:

- Easy automation – recalibration intervals and multimethod sequences satisfy the most stringent automation routines.
- Transfer and archiving of methods, sequences, and logbooks via standard USB memory sticks.
- Factory installed software – flat dialog structure, user configurable interface, enhanced sequence engine, for example with wait for baseline stabilization, diagnosis with passed/failed.
- GLP – System logbook and module logbooks record errors, unusual events, and maintenance activities for GLP traceability.



4 Preparing the Module

Leak and Waste Handling	140
Preparing the Module	141
Solvent Information	142
Capillary Color Coding Guide	149
Installing Capillaries	150
Flow Connections to the Vialsampler	152
Setting up the Vialsampler	154
Control Settings	158
Method Parameter Settings	160
Injector Programm	164
Module Configuration View	165

This chapter explains the operational parameters of the module.

Leak and Waste Handling

WARNING**Toxic, flammable and hazardous solvents, samples and reagents**

The handling of solvents, samples and reagents can hold health and safety risks.

- ✓ When working with these substances observe appropriate safety procedures (for example by wearing goggles, safety gloves and protective clothing) as described in the material handling and safety data sheet supplied by the vendor, and follow good laboratory practice.
- ✓ Do not use solvents with an auto-ignition temperature below 200 °C (392 °F). Do not use solvents with a boiling point below 56 °C (133 °F).
- ✓ Avoid high vapor concentrations. Keep the solvent temperature at least 40 K below the boiling point of the solvent used. This includes the solvent temperature in the sample compartment. For the solvents methanol and ethanol keep the solvent temperature at least 25 K below the boiling point.
- ✓ Do not operate the instrument in an explosive atmosphere.
- ✓ Do not use solvents of ignition Class IIC according IEC 60079-20-1 (for example, carbon disulfide).
- ✓ Reduce the volume of substances to the minimum required for the analysis.
- ✓ Never exceed the maximum permissible volume of solvents (8 L) in the solvent cabinet. Do not use bottles that exceed the maximum permissible volume as specified in the usage guideline for solvent cabinet.
- ✓ Ground the waste container.
- ✓ Regularly check the filling level of the waste container. The residual free volume in the waste container must be large enough to collect the waste liquid.
- ✓ To achieve maximal safety, regularly check the tubing for correct installation.

NOTE

For details, see the usage guideline for the solvent cabinet. A printed copy of the guideline has been shipped with the solvent cabinet, electronic copies are available in the Agilent Information Center or via the Internet.

For details on correct installation, see separate installation documentation.

Preparing the Module

For best performance of the module

- When using the module in a system with a vacuum degassing unit, shortly degas your samples before using them in the module.
- Filter samples before use in a 1200 Infinity Series system. Use High pressure filter kit (5067-4638) for inline filtering.
- When using buffer solutions, flush the system with water before switching it off.
- Check the module plungers for scratches, grooves and dents when changing the piston seal. Damaged plungers cause micro leaks and will decrease the lifetime of the seal.
- Solvent Information - Observe recommendations on the use of solvents, see “Solvent Information” on page 142.
- Priming and Purging the System - When the solvents have been exchanged or the system has been turned off for a certain time (for example, overnight) oxygen will re-diffuse into the solvent channel. Therefore priming and purging of the system is required before starting an application.

Table 13 Choice of Priming Solvents for Different Purposes

Activity	Solvent	Comments
After an installation	Isopropanol	Best solvent to flush air out of the system
When switching between reverse phase and normal phase (both times)	Isopropanol	Best solvent to flush air out of the system
After an installation	Ethanol or methanol	Alternative to isopropanol (second choice) if no isopropanol is available
To clean the system when using buffers	Bidistilled water	Best solvent to re-dissolve buffer crystals
After a solvent change	Bidistilled water	Best solvent to re-dissolve buffer crystals

Solvent Information

Observe the following recommendations on the use of solvents.

- Follow the recommendations for avoiding the growth of algae, see the pump manuals.
- Small particles can permanently block capillaries and valves. Therefore, always filter solvents through 0.22 µm filters.
- Avoid or minimize the use of solvents that may corrode parts in the flow path. Consider specifications for the pH range given for different materials such as flow cells, valve materials etc. and recommendations in subsequent sections.

Recommended Wash Solvents

- water
- ethanol
- methanol
- water/acid (especially for basic compounds)
- water/base (especially for acidic compounds)
- water/acetonitrile

NOTE

For different wash solvents as mentioned above, verify that the wash solvent is suitable for the silicone wash tubing.

Solvent Compatibility of Tubings for Peristaltic Pumps

The table shows the chemical resistance properties of Silicone and PharMed tubing to different needle wash solvents:

Table 14 Solvent Compatibility of Silicone and PharMed Tubing

	Silicone	PharMed
Acids		
• weak	• good	• very good
• medium	• unsatisfactory	• good
• strong	• not recommended	• not recommended
Alkaline solution		
• weak	• good	• very good
• medium	• unsatisfactory	• very good
• strong	• not recommended	• good
Hydrocarbons		
• aliphatic		•not recommended
• aromatised		•not recommended
• halogenated		•not recommended

General Information about Solvent/Material Compatibility

Materials in the flow path are carefully selected based on Agilent's experiences in developing highest quality instruments for HPLC analysis over several decades. These materials exhibit excellent robustness under typical HPLC conditions. For any special condition, please consult the material information section or contact Agilent.

Disclaimer

Subsequent data was collected from external resources and is meant as a reference. Agilent cannot guarantee the correctness and completeness of such information. Data is based on compatibility libraries, which are not specific for estimating the long-term life time under specific but highly variable conditions of UHPLC systems, solvents, solvent mixtures and samples. Information can also not be generalized due to catalytic effects of impurities like metal ions, complexing agents, oxygen etc. Apart from pure chemical corrosion, other effects like electro corrosion, electrostatic charging (especially for non-conductive organic solvents), swelling of polymer parts etc. need to be considered. Most data available refers to room temperature (typically 20 – 25 °C, 68 – 77 °F). If corrosion is possible, it usually accelerates at higher temperatures. If in doubt, please consult technical literature on chemical compatibility of materials.

PEEK

PEEK (Polyether-Ether Ketones) combines excellent properties regarding biocompatibility, chemical resistance, mechanical and thermal stability. PEEK is therefore the material of choice for UHPLC and biochemical instrumentation.

It is stable in the specified pH range (for the Bio-inert LC system: pH 1 – 13, see bio-inert module manuals for details), and inert to many common solvents.

There is still a number of known incompatibilities with chemicals such as chloroform, methylene chloride, THF, DMSO, strong acids (nitric acid > 10 %, sulfuric acid > 10 %, sulfonic acids, trichloroacetic acid), halogens or aqueous halogen solutions, phenol and derivatives (cresols, salicylic acid, and so on).

When used above room temperature, PEEK is sensitive to bases and various organic solvents, which can cause it to swell. Under such conditions, normal PEEK capillaries are very sensitive to high pressure. Therefore, Agilent uses stainless steel clad PEEK capillaries in bio-inert systems. The use of stainless steel clad PEEK capillaries keeps the flow path free of steel and ensures pressure stability to at least 600 bar. If in doubt, consult the available literature about the chemical compatibility of PEEK.

Preparing the Module

Solvent Information

Polyimide

Agilent uses semi-crystalline polyimide for rotor seals in valves and needle seats in autosamplers. One supplier of polyimide is DuPont, which brands polyimide as Vespel, which is also used by Agilent.

Polyimide is stable in a pH range between 1 and 10 and in most organic solvents. It is incompatible with concentrated mineral acids (e.g. sulphuric acid), glacial acetic acid, DMSO and THF. It is also degraded by nucleophilic substances like ammonia (e.g. ammonium salts in basic conditions) or acetates.

Polyethylene (PE)

Agilent uses UHMW (ultra-high molecular weight)-PE/PTFE blends for yellow piston and wash seals, which are used in 1290 Infinity pumps, 1290 Infinity II pumps, the G7104C and for normal phase applications in 1260 Infinity pumps.

Polyethylene has a good stability for most common inorganic solvents including acids and bases in a pH range of 1 to 12.5. It is compatible with many organic solvents used in chromatographic systems like methanol, acetonitrile and isopropanol. It has limited stability with aliphatic, aromatic and halogenated hydrocarbons, THF, phenol and derivatives, concentrated acids and bases. For normal phase applications, the maximum pressure should be limited to 200 bar.

Tantalum (Ta)

Tantalum is inert to most common HPLC solvents and almost all acids except fluoric acid and acids with free sulfur trioxide. It can be corroded by strong bases (e.g. hydroxide solutions > 10 %, diethylamine). It is not recommended for the use with fluoric acid and fluorides.

Stainless Steel (SST)

Stainless steel is inert against many common solvents. It is stable in the presence of acids and bases in a pH range of 1 to 12.5. It can be corroded by acids below pH 2.3. It can also corrode in following solvents:

- Solutions of alkali halides, their respective acids (for example, lithium iodide, potassium chloride, and so on) and aqueous solutions of halogens.
- High concentrations of inorganic acids like nitric acid, sulfuric acid and organic solvents especially at higher temperatures (replace, if your chromatography method allows, by phosphoric acid or phosphate buffer which are less corrosive against stainless steel).

Preparing the Module

Solvent Information

- Halogenated solvents or mixtures which form radicals and/or acids, for example:
$$2 \text{CHCl}_3 + \text{O}_2 \rightarrow 2 \text{COCl}_2 + 2 \text{HCl}$$

This reaction, in which stainless steel probably acts as a catalyst, occurs quickly with dried chloroform if the drying process removes the stabilizing alcohol.
- Chromatographic grade ethers, which can contain peroxides (for example, THF, dioxane, diisopropylether). Such ethers should be filtered through dry aluminium oxide which adsorbs the peroxides.
- Solutions of organic acids (acetic acid, formic acid, and so on) in organic solvents. For example, a 1 % solution of acetic acid in methanol will attack steel.
- Solutions containing strong complexing agents (for example, EDTA, ethylene diamine tetra-acetic acid).
- Mixtures of carbon tetrachloride with isopropanol or THF.

Titanium (Ti)

Titanium is highly resistant to oxidizing acids (for example, nitric, perchloric and hypochlorous acid) over a wide range of concentrations and temperatures. This is due to a thin oxide layer on the surface, which is stabilized by oxidizing compounds. Non-oxidizing acids (for example, hydrochloric, sulfuric and phosphoric acid) can cause slight corrosion, which increases with acid concentration and temperature. For example, the corrosion rate with 3 % HCl (about pH 0.1) at room temperature is about 13 $\mu\text{m}/\text{year}$. At room temperature, titanium is resistant to concentrations of about 5 % sulfuric acid (about pH 0.3). Addition of nitric acid to hydrochloric or sulfuric acids significantly reduces corrosion rates. Titanium is sensitive to acidic metal chlorides like FeCl_3 or CuCl_2 . Titanium is subject to corrosion in anhydrous methanol, which can be avoided by adding a small amount of water (about 3 %). Slight corrosion is possible with ammonia > 10 %.

Diamond-Like Carbon (DLC)

Diamond-Like Carbon is inert to almost all common acids, bases and solvents. There are no documented incompatibilities for HPLC applications.

Preparing the Module

Solvent Information

Fused silica and Quartz (SiO₂)

Fused silica is used in Max Light Cartridges. Quartz is used for classical flow cell windows. It is inert against all common solvents and acids except hydrofluoric acid and acidic solvents containing fluorides. It is corroded by strong bases and should not be used above pH 12 at room temperature. The corrosion of flow cell windows can negatively affect measurement results. For a pH greater than 12, the use of flow cells with sapphire windows is recommended.

Gold

Gold is inert to all common HPLC solvents, acids and bases within the specified pH range. It can be corroded by complexing cyanides and concentrated acids like aqua regia.

Zirconium Oxide (ZrO₂)

Zirconium Oxide is inert to almost all common acids, bases and solvents. There are no documented incompatibilities for HPLC applications.

Platinum/Iridium

Platinum/Iridium is inert to almost all common acids, bases and solvents. There are no documented incompatibilities for HPLC applications.

Fluorinated polymers (PTFE, PFA, FEP, FFKM, PVDF)

Fluorinated polymers like PTFE (polytetrafluorethylene), PFA (perfluoroalkoxy), and FEP (fluorinated ethylene propylene) are inert to almost all common acids, bases, and solvents. FFKM is perfluorinated rubber, which is also resistant to most chemicals. As an elastomer, it may swell in some organic solvents like halogenated hydrocarbons.

TFE/PDD copolymer tubings, which are used in all Agilent degassers except 1322A/G7122A, are not compatible with fluorinated solvents like Freon, Fluorinert, or Vertrel. They have limited life time in the presence of Hexafluoroisopropanol (HFIP). To ensure the longest possible life with HFIP, it is best to dedicate a particular chamber to this solvent, not to switch solvents, and not to let dry out the chamber. For optimizing the life of the pressure sensor, do not leave HFIP in the chamber when the unit is off.

The tubing of the leak sensor is made of PVDF (polyvinylidene fluoride), which is incompatible with the solvent DMF (dimethyl formamide).

Preparing the Module

Solvent Information

Sapphire, Ruby and Al₂O₃-based ceramics

Sapphire, ruby and ceramics based on aluminum oxide Al₂O₃ are inert to almost all common acids, bases and solvents. There are no documented incompatibilities for HPLC applications.

Capillary Color Coding Guide

Type		Material		Fitting Left/Fitting Right	
Key	Description	Key	Description	Key	Description
Capillary	Connection capillaries	ST	Stainless steel	W	Swagelok + 0.8 mm Port id
Loop	Loop capillaries	Ti	Titanium	S	Swagelok + 1.6 mm Port id
Seat	Autosampler needle seats	PK	PEEK	M	Metric M4 + 0.8 mm Port id
Tube	Tubing	FS/PK	PEEK-coated fused silica*	E	Metric M3 + 1.6 mm Port id
Heat exchanger	Heat exchanger	PK/ST	Stainless steel-coated PEEK**	U	Swagelok union
		PTFE	PTFE	L	Long
		FS	Fused silica	X	Extra long
				H	Long head
				G	Small head SW 4 mm
				N	Small head SW 5 mm
				F	Fingertight
				V	1200 bar
				B	Bio
				P	PEEK

*Fused silica in contact with solvent
**PEEK in contact with solvent

The **type** gives some indication on the primary function, like a loop or a connection capillary.
The **material** indicates which raw material is used.
The **fitting** left/right indicate which fitting is used on both ends of the capillary.

At-a-glance color-coding keys

The color of your capillary will help you quickly identify the capillary id – see the chart to the right for reference.

Color-coding key for Agilent capillary tubing

Internal Diameter in mm	Color code
0.015	Orange
0.025	Yellow
0.05	Beige
0.075	Black
0.1	Purple
0.12	Red
0.17	Green
0.20/0.25	Blue
0.3	Grey
0.50	Bone White

Tip: As you move to smaller-volume, high efficiency columns, you'll want to use narrow id tubing, as opposed to the wider id tubing used for conventional HPLC instruments.

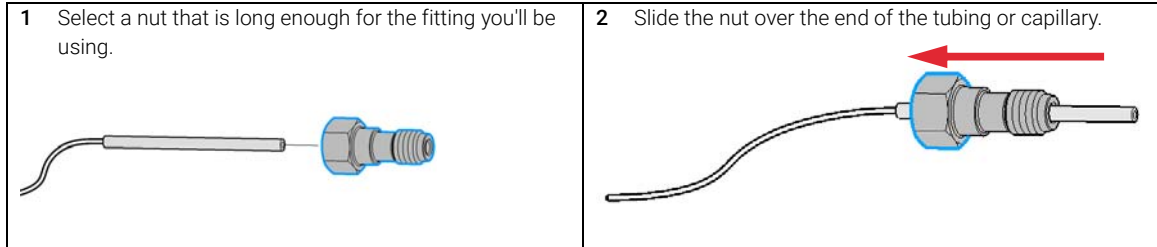
Figure 28 Syntax for capillary description

Installing Capillaries

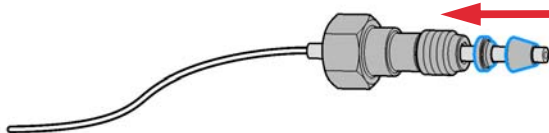
For correct installation of capillary connections of the sampler it's important to choose the correct fittings, see “[Capillary Color Coding Guide](#)” on page 149.

Parts required	p/n	Description
	5067-4650	Capillary ST 0.12 mm x 150 mm SL/SX
	5067-4651	Capillary ST 0.12 mm x 280 mm SL/SX
	5067-4720	Capillary ST 0.17 mm x 150 mm SL/SX
	5067-4722	Capillary ST 0.17 mm x 280 mm SL/SX
	5065-4454	Fitting screw long 10/pk Quantity depends on configuration of the module (number of connections to the multisampler).

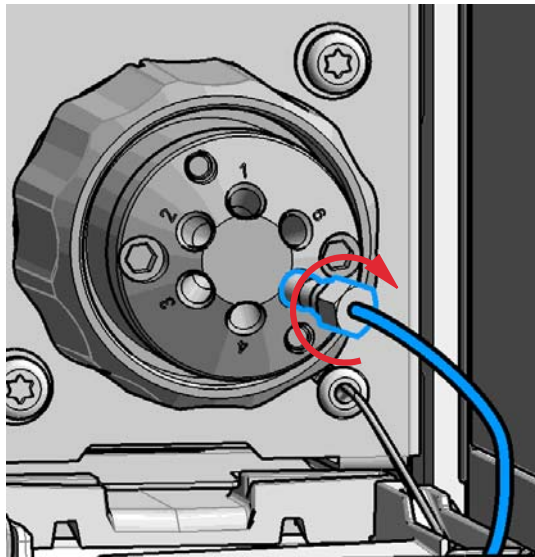
The capillaries mentioned above are examples only.



- 3 Carefully slide the ferrule components on after the nut and then finger-tighten the assembly while ensuring that the tubing is completely seated in the bottom of the end fitting.



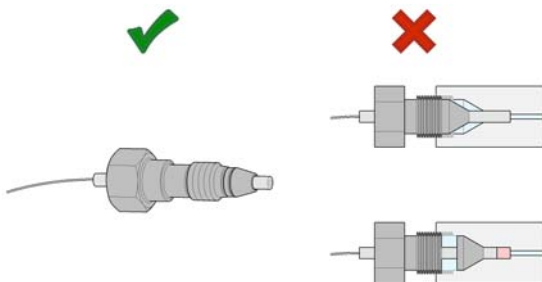
- 4 Use a column or injection valve to gently tighten the fitting which forces the ferrule to seat onto the tubing or capillary.



NOTE

Don't overtighten. Overtightening will shorten the lifetime of the fitting.

- 5 Loosen the nut and verify that the ferrule is correctly positioned on the tubing or capillary.



NOTE

The first time that the swagelock fitting is used on a column or an injection valve, the position of the ferrule is permanently set. If changing from a column or an injection valve to another, the fitting may leak or decrease the quality of the separation by contributing to band broadening.

Flow Connections to the Vialsampler

Preparations

Module is installed in the system.

Use an appropriate solvent based on the sample and mobile phase chemistries.

The composition of the wash solvent should be the most solubilizing compatible solvent (your strongest diluent). Selecting the wash solvent is part of the method development.

A mixture of 50 % up to 100 % organic solvent in distilled water is a good choice for many applications.

NOTE

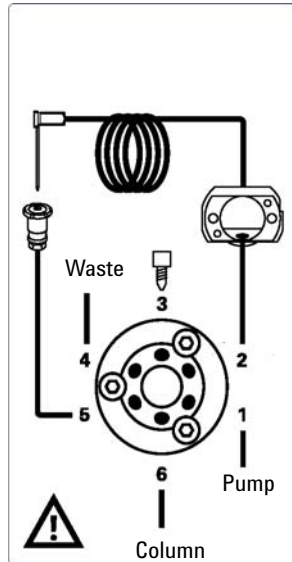
The silicone waste drainage is suitable for most common wash solvents. For critical wash solvents, it may be necessary to replace the silicone tube with a PE tube (Tubing, PE, 1.5 m (5042-9974)).

- 1 Place a needle wash solvent reservoir into the solvent cabinet.
- 2 Connect the Needle Wash Bottle Head Assembly to the solvent reservoir and close the bottle.
- 3 Guide the tube of the Needle Wash Bottle Head Assembly through the cover opening and connect it to the peristaltic pump.
- 4 Route the drainage of the washport outlet to the waste container.
- 5 Prime the wash tubing.
- 6 Install the capillary from the pump outlet into the port 1 of the injection valve.

Preparing the Module

Flow Connections to the Vialsampler

- 7 Install the capillary from port 6 of the injection valve to the ICC or MCT
The correct plumbing is shown in the figure below and is attached to the module.



- 8 Prime and purge the complete sampler.

Setting up the Vialsampler

The setup of the Vialsampler is shown with the Agilent OpenLab ChemStation C.01.07. Depending on the controller (e.g. Agilent Local Controller, OpenLab EZChrom, Masshunter) the screens look different.

NOTE

This section describes the Vialsampler settings only. For information on the software or other modules refer to the corresponding documentation.

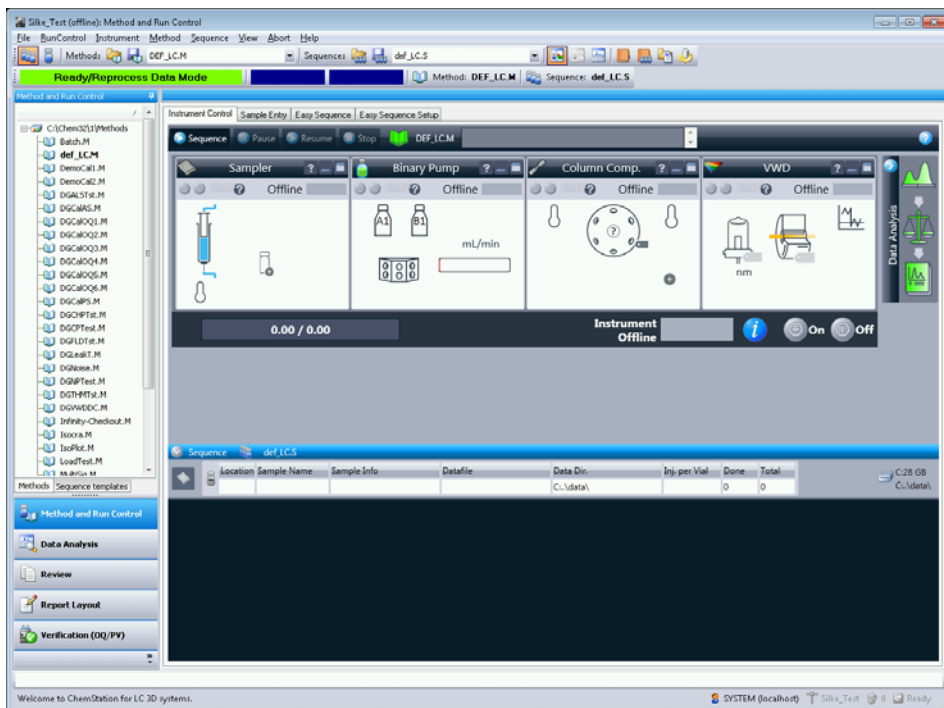
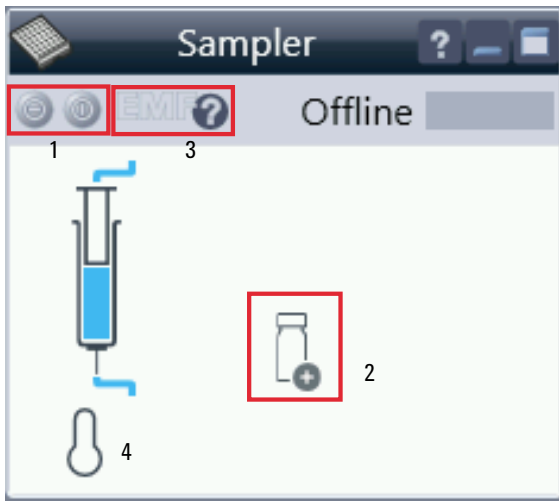


Figure 29 ChemStation Method and Run Control

After successful load of the OpenLab ChemStation, you should see the module as an active item in the graphical user interface (GUI).

Table 15 The Vialsampler User Interface

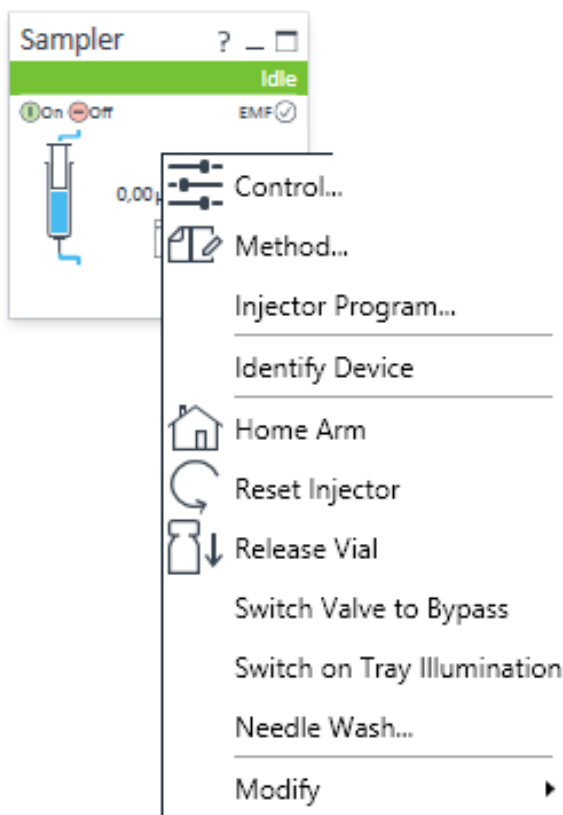


Within the sampler user interface, there are active areas. If you move the mouse cursor across the icons (tray, EMF button), the cursor will change and you may click on the icon to

- 1 Turn on/off the sampler
- 2 Check which sample drawers are installed
- 3 Get the status of the **EMF** (Early Maintenance Feature)
- 4 Cooling Temperatur (if Sample Cooler/Sample Thermostat is installed)

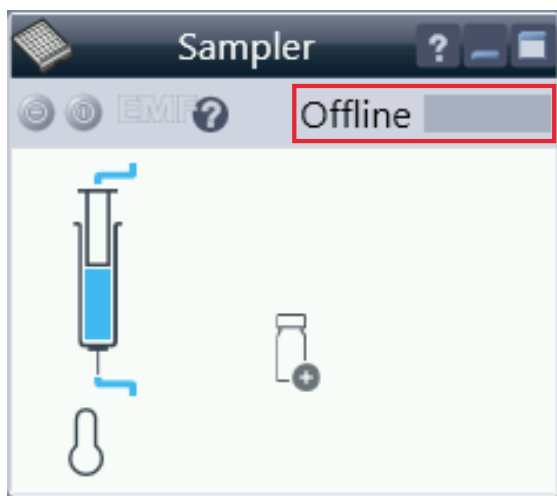
Current instrument information on:

- **Injection volume**
- **Sample location**

Table 15 The Vialsampler User Interface


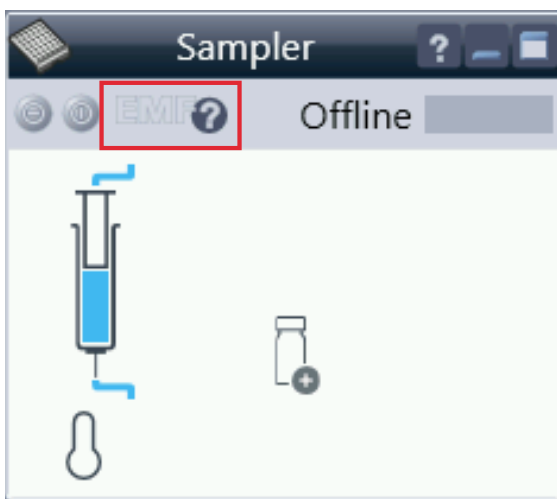
A right-click into the Active Area will open a menu with the option to adjust the following parameters:

- Show the **Control** User Interface (special module settings). See “Control Settings” on page 158.
- Show the **Method** User interface (same as via menu **Instrument> Set up Instrument Method> Setup G7129B**). See “Method Parameter Settings” on page 160.
- **Injector Program**
When you activate a pretreatment/injector program, it replaces the standard injection cycle. See “Using an Injector Program” on page 169
- **Identify Device**
- **Home Arm**
- **Reset Injector**
- **Release Vial**
- **Switch Valve to Bypass**
- **Switch on Tray Illumination**
- **Needle Wash:** allows you to wash the needle without modifying your current method. The needle wash specified in this dialog box is carried out immediately.
- **Modify**
 - **Flow Path:** for the sample loops, needle seat, extension loops and metering devices
 - **External Tray**
 - **Temperature Mode**

Table 15 The Vialsampler User Interface


Module Status shows Run / Ready / Error state and "Not Ready text" or "Error text"

- **Error** (Red)
- **Not ready** (yellow)
- **Ready** (green)
- **Pre run, Post run** (purple)
- **Run** (blue)
- **Idle** (green)
- **Offline** (dark gray)
- **Standby** (light gray)



EMF Status shows Run / Ready / Error state and "Not Ready text" or "Error text"

- Offline (gray)
- Ok
- No Maintenance required (green)
- EMF warning. Maintenance might be required (yellow)
- EMF warning. Maintenance required (red)

NOTE

For additional help and support, highlight the desired area and press the **F1** key. A help screen will open with additional information and documentation about the topic.

NOTE

The Vialsampler configuration is done in the online module dashboard context menu, not in the instrument configuration view.

Control Settings

The control settings are available via right click on the active area of the graphical user interface, see [Table 15](#) on page 155.

Table 16 Control settings
Figure 30 Control settings

The Sampler control parameters are in the following sections:

- Missing Vial**
 Mark the **Ignore missing vial** check box to specify that, if a vial is missing, the injector ignores it and continues with a 6-second dummy run. The message "Missing vial <x>" is logged, and the system continues with the next injection.
- Illumination**
 Toggles the illumination of the sample area, On or Off.
- At Power On**
 The section is available when a cooler/thermostat is installed and configured. Mark the **Turn on Thermostat** check box to specify that the cooler/thermostat is switched on automatically when the instrument is switched on.
- Thermostat**
 The section is available when a cooler/thermostat is installed and configured and the Constant temperature mode is selected.
 Select **On** to switch on the cooler/thermostat. Specify the required temperature in the adjacent field. The specified temperature must be at least 5 °C below ambient for proper temperature control.
 Select **Off** to switch off the cooler/thermostat.
- Automatic Turn On**
 You can set a date and time at which the cooler/thermostat switches on automatically.
- Pump connected to Sampler**
 Use this section to specify the pump that is used with the Vialsampler. If more than one pump is configured, display the drop-down list and select the appropriate pump from the list.
- Enable Analysis**
 This feature requires LC & CE Drivers A.02.19 or newer and is only available for the Sample Thermostat. With this function, you can specify if the analyses should start **With any temperature** or only when the **Temperature is within ± 2 °C** range of the setpoint temperature.

NOTE

The Enable Analysis section is disabled when Not controlled is selected in the Temperature section.

NOTE

For additional help and support, highlight the desired area and press the **F1** key. A help screen will open with additional information and documentation about the topic.

Method Parameter Settings

The method parameter settings are available via right click on the active area of the graphical user interface.

The screenshot shows a software window titled "Method of G7129B" with a "Sampler (G7129B)" icon. The window is divided into several sections for configuring parameters:

- Injection:** Injection volume: 5.00 μL
- Needle wash:**
 - Enable Needle Wash
 - Mode: Flush Port
 - Time: 3 s
 - Location: [Empty]
 - Repeat: 3
- Stoptime:**
 - As Pump/No Limit
 - 1.00 min
- Posttime:**
 - Off
 - 1.00 min
- Advanced:**
 - Auxiliary:**
 - Draw speed: 100.0 $\mu\text{L}/\text{min}$
 - Eject speed: 400.0 $\mu\text{L}/\text{min}$
 - Wait Time After Draw: 1.2 s
 - Needle Height Offset: 0.0 mm
 - High throughput:**
 - Injection Valve to Bypass for Delay Volume Reduction
 - Sample Flush-Out Factor: 5.0 times injection volume
 - Overlapped Injection Mode: Off
 - 0.00 minutes after injection

Buttons at the bottom: Ok, Apply, Cancel.

Figure 31 Method parameter settings

Table 17 Method parameter settings

Injection
Injection volume: <input type="text" value="5.00"/> μL

Needle wash
<input checked="" type="checkbox"/> Enable Needle Wash
Mode: <input type="text" value="Flush Port"/>
Time: <input type="text" value="3"/> s
Location: <input type="text"/>
Repeat: <input type="text" value="3"/>

Stoptime	Posttime
<input checked="" type="radio"/> As Pump/No Limit	<input checked="" type="radio"/> Off
<input type="radio"/> <input type="text" value="1.00"/> min	<input type="radio"/> <input type="text" value="1.00"/> min

Injection

Specify the injection volume (in μL) in the **Injection Volume** field. The injection volume limits depend upon the configuration settings of the autosampler. Note that this setting is ignored when Pretreatment/Injector Program is defined.

Needle Wash

Mark the **Enable Needle Wash** check box to specify an injection with needle wash.

The following wash parameters can be specified:

- **Mode:** Select the wash location by clicking the down arrow and selecting the needle wash mode from the list. You can select from Flush Port (default location) or Wash Vial.
- **Time:** This field is enabled only if you have selected Flush Port. Specify a flush time in seconds between 1 and 100 in steps of 1.
- **Location:** enabled only if you have selected a Wash Vial. Allows you to specify a wash location in the format Vial X, where X is the vial number. Specify well locations in the format P<Plate #>-<Row Character><Column Number>, for example, P1-A1. The values of <Row Character> and <Column Number> depend on the wellplate type.
- **Repeat:** available only if you have selected Wash Vial. You can specify up to 10 repeat washes.

Stoptime: enables you to set the time that the analysis stops. Limits: 0.01 through 99999 min or **As Pump/No Limit**.
Posttime: the Vialsampler remains in a post-run state during the Posttime to delay the start of the next analysis. A Post-time period can be used to allow the column to equilibrate after changes in solvent composition (for example after gradient elution). Limits: 0.01 through 99999 min or **Off**.

Table 17 Method parameter settings

Auxiliary	
Draw speed:	<input type="text" value="100.0"/> μL/min
Eject speed:	<input type="text" value="400.0"/> μL/min
Wait Time After Draw:	<input type="text" value="1.2"/> s
Needle Height Offset:	<input type="text" value="0.0"/> mm

Auxiliary

- **Draw Speed:** determines the rate at which the plunger draws sample from the vial. Set the speed to an appropriate value for your sample. For viscous samples, use a slow Draw Speed.
- **Eject Speed:** determines the rate at which the plunger ejects sample from the metering device. If you are injecting large volumes of sample, setting a high Eject Speed will shorten the time needed for an injection cycle. For viscous samples in combination with multi-draw, use a slow Eject Speed.
- **Wait Time After Draw:** ensures that the temporary vacuum, which originates from the drawing of liquid from the sample vial, dissipates. The needle stays first on the seat for the specified time, then after drawing sample from the vial, remains there for the specified time.
- **Needle Height Offset:** a vertical offset that enables you to position the needle a specific distance (in mm) away from its standard position. The Offset function is useful when analyzing very small sample volumes, or when only a specific part of the sample is required, for example, the top layer.

Table 17 Method parameter settings

High throughput	High Throughput
<input type="checkbox"/> Injection Valve to Bypass for Delay Volume Reduction Sample Flush-Out Factor: <input type="text" value="5.0"/> times injection volume Overlapped Injection Mode: <input type="text" value="Off"/> <input type="text" value="0.00"/> minutes after injection	<p>High Throughput</p> <p>Injection Valve to Bypass for Delay Volume Reduction: Mark this check box to switch the flow from the injector from mainpass (main path) to bypass after injection has taken place. This reduces the delay volume for low volume techniques. You can specify the point during the analyses when the valve switches to bypass by setting the Sample Flush-out Factor.</p> <p>Sample Flush-Out Factor: ensures that the sample is thoroughly flushed out of the syringe and past the capillary seat and valve. The Sample Flush-Out Factor is preset to 5.0 at the factory. The preset Sample Flush-Out Factor is correct for most methods. However, for unusually viscous samples, you should increase the Sample Flush-Out Factor to obtain the desired degree of flushing to prevent sample carryover.</p> <p>Overlapped Injection Mode: provides faster throughput of samples by allowing the preparation of the next injection while the current injection is being completed. The following options can be selected from the drop-down list:</p> <ul style="list-style-type: none"> • Off: to switch off overlapped injection. Select When sample is Flushed Out to specify that the sample can be prepared directly after the current sample has been flushed out. • Prefetch Vial: to specify that the next sample is fetched by the gripper while the current sample is running. • Overlap Injection Cycle: to specify that the next sample is fetched and loaded into the sample loop while the current sample is running. Specify a time (in minutes) after injection when this process should be started.

NOTE

For additional help and support, highlight the desired area in the user interface and press the **F1** key. A help screen will open with additional information and documentation about the topic.

Injector Programm

The pretreatment/injector program comprises a series of numbered lines, each specifying an operation that the autosampler carries out sequentially. When you activate a pretreatment/injector program, it replaces the standard injection cycle.

The following functions are available :

- Draw
- Eject
- Mix
- Inject
- Move
- Wait
- Valve
- Needle
- Wash
- Remote
- Wait For
- Repeat . End Repeat
- Comment

Module Configuration View

The module configuration settings are available via menu **Instrument> Show ConfigUI**

The screenshot shows a window titled "RCDriverUIHost" with two main sections: "Communication" and "Options".

Communication Section:

- Device name:
- Type ID:
- Serial number:
- Firmware revision:
- Connection settings... (button)

Options Section:

These options are for information only or configuring an offline system. Please see help for instructions how to change the configuration.

- Metering:
- Loop:
- Seat:
- Max. Injection Volume: 20,00 µL
- (Multi-draw disabled)
- Cooler installed
- Mode:
- External tray installed

Buttons: Cancel, OK

Figure 32 Configuration view

NOTE

For additional help and support. Highlight the desired area and press the **F1** key. A help screen will open with additional information and documentation about the topic.

NOTE

The vialsampler configuration is done in the module dashboard context menu, not in the instrument configuration.

5

Optimizing Performance

Optimization for Lowest Carryover	167
Using the Automated Needle Wash (Wash Port)	167
Using an Injector Program	169
General Recommendation for Lowest Carryover	170
Fast Injection Cycle and Low Delay Volume	171
Overlapped Injection Mode	171
General Recommendations for Fast Injection Cycle Times	172
Precise Injection Volume	173
Draw and Eject Speed	174
Choice of Rotor Seal	175

This chapter provides information on how to optimize the module.

Optimization for Lowest Carryover

Several parts of an injection system can contribute to carryover:

- needle outside
- needle inside
- needle seat
- sample loop
- seat capillary
- injection valve

The autosampler continuous flow-through design ensures that sample loop, needle inside, seat capillary, and the mainpass (main path) of the injection valve is always in the flowline. These parts are continuously flushed during an isocratic and also during a gradient analysis. The residual amount of sample remaining on the outside of the needle after injection may contribute to carryover in some instances. When using small injection volumes or when injecting samples of low concentration immediately after samples of high concentration, carryover may become noticeable. Using the automated needle wash enables the carryover to be minimized and also prevents contamination of the needle seat.

Using the Automated Needle Wash (Wash Port)

The automated needle wash can be programmed either as method parameter "enable needle wash" or the needle wash can be included into the injector program. When the automated needle wash is used, the needle is moved into a wash vial before the sample is drawn. By washing the needle before drawing a sample, the sample is removed from the surface of the needle immediately.

For best results and to obtain minimum carryover, the wash port should contain solvent in which the sample components are soluble. The wash port flapper is located in the needle station and a peristaltic pump delivers the wash solvent. It has a volume of ca. 0.5 mL and the peristaltic pump delivers ca. 5 mL/min, which means the wash port volume is completely refilled with fresh solvent in ca. 6 s. If the wash port is selected, the user can set the length of time for washing the outside of the needle with fresh solvent. This may be as low as two or three seconds in routine situations where carryover is less of a problem and 10 to 20 s for more complete washing. It is recommended that washing the outside of the needle in the flush port should be standard procedure to avoid contaminating the needle seat.

Optimizing Performance

Optimization for Lowest Carryover

Using the Needle Wash in the Wash Vial

For very critical applications where the outside of the needle cannot be cleaned sufficiently with one wash port solvent you can use an injector program and an additional wash vial with an appropriate and stronger solvent for cleaning. The wash vial should contain solvent in which the sample components are soluble, and the vial should not be capped. If the wash vial is capped, small amounts of sample remain on the surface of the septum, which may be carried on the needle to the next sample.

Injector Program with Needle Wash

The injector program includes the command WASH. When this command is included in the injector program, the needle is lowered once into the specified wash vial or flushport before injection.

For example:

- 1 WASH > Location P2-A1 or flushport
- 2 Draw 5 μ L from Sample Location P1-A1
- 3 INJECT

Line 1 moves the needle to vial P2-A1 or the flushport. Line 2 draws 5 μ L from the current sample vial P1-A1. Line 3 injects the sample (valve switches to main pass).

Using an Injector Program

The process is based on a program that switches the bypass groove of the injection valve into the flow line for cleaning. This switching event is performed at the end of the equilibration time to ensure that the bypass groove is filled with the start concentration of the mobile phase. Otherwise the separation could be influenced, especially if microbore columns are used.

Example

Outside wash of needle in vial p2-A1 before injection

Injector program:

- Draw x.x (y) μ l from sample
- WASH vial location p2-A1
- Inject
 - Wait (equilibration time - see text above)
 - Valve bypass
 - Wait 0.2 min
 - Valve mainpass (main path)
 - Valve bypass
 - Valve mainpass (main path)

NOTE

Overlapped injection together with additional injection valve switching is not possible.

General Recommendation for Lowest Carryover

For samples where the outside of the needle cannot be cleaned sufficiently with the wash port use wash vials with an appropriate and stronger solvent. An injector program and an extra wash vial can be used for cleaning.

In case the needle seat has got contaminated and carryover is significantly higher than expected, the following procedure can be used to clean the needle seat:

- In Lab Advisor go to **Maintenance> Change Needle**: this sets the needle into home position.
- Remove the safety cover of the sampler. Be carefully not to risk an injury by the uncovered needle.
- Pipette an appropriate solvent on to the needle seat. The solvent should be able to dissolve the contamination. If the contamination is unknown, use two or three solvents of different polarity. Use several milliliters to clean the seat.
- Clean the needle seat with a tissue and remove all liquid. Again be careful not to risk an injury by the uncovered needle.
- Reinstall the safety cover of the sampler.
- In Lab Advisor, go to **Maintenance> Change Needle** and finish the procedure.

Fast Injection Cycle and Low Delay Volume

Short injection cycle times for high sample throughput is one of the most important requirements in laboratories. In order to shorten cycle times, you can:

- shorten the column length
- use high flow rates
- apply a steep gradient

Having optimized these parameters, further reduction of cycle times can be obtained using the overlapped injection mode.

Overlapped Injection Mode

In this process, when the sample has reached the column, the injection valve is switched back to bypass, and the next injection cycle starts but waits with switching to mainpass (main path) until the actual run is finished. You gain the sample preparation time when using this process.

Switching the valve into the bypass position reduces the system delay volume. The mobile phase is directed to the column without passing sample loop, needle, and needle seat capillary. This can help to have faster cycle times especially if low flow rates have to be used like it is mandatory in narrow bore and micro bore HPLC.

NOTE

Having the valve in bypass position can increase the carryover in the system.

The injection cycle times also depend on the injection volume. In identically standard condition, injecting 100 μL instead of 1 μL , increase the injection time by approximately 8 s. In this case and if the viscosity of the sample allows it, the draw and eject speed of the injection system has to be increased.

NOTE

For the last injection of the sequence with overlapped injections, it has to be considered that for this run the injection valve is not switched as for the previous runs and consequently the injector delay volume is not bypassed. This means that the retention times are prolonged for the last run. Especially at low flow rates this can lead to retention time changes which are too big for the actual calibration table. To overcome this, it is recommended to add an extra "blank" injection as last injection to the sequence.

General Recommendations for Fast Injection Cycle Times

As described in this section, the first step to provide short cycle times are optimizing the chromatographic conditions. If this is done the autosampler parameter should be set to:

- Overlapped injection mode
- Increase of draw and eject speed for large injection volumes
- Add at last run a blank, if overlapped injection is used

To reduce the injection time, the detector balance has to be set to OFF.

Precise Injection Volume

Injection Volumes Less Than 2 μL

When the injection valve switches to the BYPASS position, the mobile phase in the sample loop is depressurized. When the syringe begins drawing sample, the pressure of the mobile phase is decreased further. If the mobile phase is not degassed adequately, small gas bubbles can form in the sample loop during the injection sequence. When using injection volumes $< 2 \mu\text{L}$, these gas bubbles can affect the injection-volume precision. Use degassed mobile phases for best injection-volume precision with injection volumes $< 2 \mu\text{L}$.

If the pump has no degasser, it is recommended to use an Agilent 1260 Infinity degasser.

Also, using the automated needle wash (see [“Optimization for Lowest Carryover”](#) on page 167) between injections reduces carryover to a minimum, further improving the injection volume precision.

Draw and Eject Speed

Draw Speed

The speed at which the metering unit draws sample out of the vial may have an influence on the injection volume precision when using viscous samples. If the draw speed is too high, air bubbles may form in the sample plug, affecting precision. The default draw speed is 100 $\mu\text{L}/\text{min}$. This speed is suitable for the majority of applications, however, when using viscous samples, set the draw speed to lower speed for optimum results. A DRAW statement in an injector program also uses the draw speed setting which is configured for the autosampler.

Eject Speed

The default eject speed setting is 400 $\mu\text{L}/\text{min}$. When using large injection volumes, setting the eject speed to a higher value speeds up the injection cycle by shortening the time the metering unit requires to eject solvent at the beginning of the injection cycle (when the piston returns to the home position).

An EJECT statement in an injector program also uses the eject speed setting which is configured for the autosampler. A faster eject speed shortens the time required to run the injector program. When using viscous samples, a high eject speed should be avoided.

Choice of Rotor Seal

Vespel™ Seal (for 1290 Infinity II Vialsampler Only)

The 1290 seal has sealing material made of Vespel. Vespel is suitable for applications using mobile phases within the pH range of 2.3 – 9.5, which is suitable for most applications. However, for applications using mobile phases with pH below 2.3 or above 9.5, the Vespel seal can degrade faster, leading to reduced seal lifetime.

PEEK Seal (for 1260 Infinity II Vialsamplers Only)

The 1260 injection valve has a sealing material made of PEEK. This material has high chemical resistance and versatility. It is suitable for application using mobile phases within a pH between 1 and 14.

NOTE

Strong oxidizing acids such as concentrated nitric and sulfuric acids are not compatible with PEEK.



6 Troubleshooting and Diagnostics

Status Indicators	177
Overview of Tests and Tools	178
Maintenance and Troubleshooting Tools	179
Maintenance Positions	179
Gripper Verification	183
Injector Steps	184
Park Arm	186
Diagnostic Tests	187
Sample Cooler Function Test	187
Heater Test	188
Agilent Lab Advisor Software	189

This chapter gives an overview of the maintenance, troubleshooting, and diagnostic features available for the Agilent InfinityLab Series Vialsampler.

Status Indicators

The Agilent InfinityLab Series LC modules are equipped with two status indicator LED lights to enable the user to get an immediate visual impression of the actual state of the instrument:

- The power indicator light is integrated into the main switch of the module and provides information about whether or not the system is powered on. When the indicator illuminates in green, the module is ON.
- The module status indicator light is situated in the upper right corner of the module and provides information on the actual operating state of the system (see “Status Indicators” on page 58 for more information).

Overview of Tests and Tools

Table 18 Overview of tests and tools

Name	Type	Lab Advisor Software	1200 Infinity Instant Pilot	InfinityLab Companion
Maintenance Positions	Tool	yes	yes	yes
Park Arm	Tool	yes	yes	yes
Injector Steps	Tool	yes	yes	yes
Gripper Verification	Tool	yes	no	no
Automatic Referencing	Tool	yes ¹	no	no
ALS Torque Verification	Tool	yes ¹	no	no
Sample Cooler Function Test	Test	yes	no	no
Heater Test	Test	yes	no	no

¹ only available for customer engineers

Maintenance and Troubleshooting Tools

Maintenance Positions

The replacement of certain components, such as the needle or the metering seal, requires the needle arm, the metering device plunger or the gripper arm to be moved into specific positions. With the **Maintenance Positions** function, these components can be moved into predefined service positions, enabling the easy and safe access to parts that would not be accessible otherwise.

WARNING

Sharp needle

Some of the maintenance positions require the removal of the safety cover, revealing the uncovered needle.

Risk of injury

- ✓ Do not touch the tip of the needle.
 - ✓ Keep your fingers off the moving needle.
 - ✓ Wear safety goggles when handling an uncovered needle.
-

Using the Change Needle, Loop and Seat Function

The **Change Needle, Loop, and Seat** function grants easy access to the needle, the sample loop, and the needle seat by moving the needle and the gripper arm into predefined positions.

The execution of this function encompasses the following elementary steps when the Agilent Lab Advisor Software is used:

- 1 Select **Maintenance Positions** from the list under **Service & Diagnostics**.
- 2 Under **Task Selection**, select **Change, Needle, Loop and Seat** and click **Start**.
- 3 Specify the type of the seat and loop capillary being installed in the **Verify capillary configuration** window and click **Continue**.
- 4 Wait until the needle arm moves into the upper position.
- 5 Remove the safety cover and move the wash port safety flap to the service position by slightly lifting it up and then flapping it to the left.
- 6 Confirm that the wash port safety flap is in the service position and click **Next** to continue.

WARNING

Sharp needle

Risk of injury due to moving needle.

- ✓ Do not touch the tip of the needle.
- ✓ Keep your fingers off the moving needle.
- ✓ Wear safety goggles when handling an uncovered needle.

- 7 Wait until the needle moves down and stops ca. 2 mm above the needle seat.
- 8 Remove the sample loop (see “Exchange the Sample Loop Assembly” on page 241) and the needle (see “Exchange the Needle Assembly” on page 229) and click **Next** to continue.
- 9 Replace the needle seat (see “Exchange the Needle Seat Assembly” on page 235) and click **Next** to continue.
- 10 Install the new needle (see “Exchange the Needle Assembly” on page 229) and click **Next** to continue.
- 11 Reconnect the old sample loop or install a new one if needed (see “Exchange the Sample Loop Assembly” on page 241) and click **Next** to continue.
- 12 Ensure that the needle tip is concentric with the seat. Use the **Move Up** and **Move Down** buttons to move the needle closer to or further away from the seat.

- 13 Click **Next** and wait until the needle arm moves into the upper position.
- 14 Move the wash port safety flap back to its original position.
- 15 Confirm that the wash port safety flap is in the correct position and click **Next**.
- 16 Reinstall the safety cover back to the needle station and click **Next** to continue.
- 17 Wait until the needle moves back to the needle seat. In the following pop-up window, specify whether or not the EMF counters of the needle and the needle seat should be reset, then click **OK**.
- 18 Select **Back** in the bottom right corner to exit the **Maintenance Positions** function.

Using the Change Metering Seal and Piston Function

The **Change Metering Seal and Piston** function releases the tension on the metering spring by moving the plunger of the analytical head into the maintenance position.

The execution of this function encompasses the following elementary steps when the Agilent Lab Advisor Software is used:

- 1 Select **Maintenance Positions** from the list under **Service & Diagnostics**.
- 2 Under **Task Selection**, select **Change Metering Seal and Piston** and click **Start**.
The plunger is moved into the maintenance position, releasing the tension on the spring.
- 3 Remove the analytical head and the metering seal or replace any other component of the analytical head (see [“Exchange the Metering Seal and Piston”](#) on page 250).
- 4 Click **Next** to move the piston back to the home position.
- 5 In the following pop-up window, specify whether or not the EMF counter of the metering seal should be reset, then click **OK**.
- 6 Select **Back** in the bottom right corner to exit the **Maintenance Positions** function.

Using the Change Gripper Function

The **Change Gripper** function grants easy access to the release mechanism of the gripper assembly by bringing the gripper arm into the front position.

The execution of this function encompasses the following elementary steps when the Agilent Lab Advisor Software is used:

- 1 Select **Maintenance Positions** from the list under **Service & Diagnostics**.
- 2 Under **Task Selection**, select **Change Gripper** and click **Start**.
This gripper is moved into the maintenance position.
- 3 Replace the gripper arm (see “[Exchange the Gripper Arm](#)” on page 258).
- 4 Click **Next** to move the gripper arm back to the home position.
- 5 Select **Back** in the bottom right corner to exit the **Maintenance Positions** function.

Gripper Verification

The **Gripper Verification** is a diagnostic tool to verify that the gripper alignment is correct by using several predefined vial positions as reference points.

Table 19 Available reference positions for the various vial drawer types.

Vial Drawer Type	Part Number	Available Reference Positions
Drawer for 66 x 2 mL vials	G7129-60010	A1, A11, D6, F1, F11
Drawer for 18 x 6 mL vials	G7129-60110	A1, A6, B4, C1, C6
Classic drawer for 50 x 2 mL vials, left	G7129-60210	1, 10, 26, 41, 50
Classic drawer for 50 x 2 mL vials, right	G7129-60220	51, 60, 76, 91, 100

NOTE

The **Gripper Verification** tool cannot be used to verify the positions of the external tray (G7129-60000).

The execution of the **Gripper Verification** tool encompasses the following elementary steps when the Agilent Lab Advisor Software is used:

- 1 Select **Gripper Verification** in the list under **Service & Diagnostics**.
- 2 Select any of the available reference positions in the drop-down list and ensure that there is a suitable vial in the selected position.
- 3 Click **Pick & Put Vial**.
The gripper arm fetches the vial, lifts it up and places it back to its original position.
- 4 Repeat the preceding steps with a different vial position if needed.

NOTE

In the case of an error, use the **Reset** button to bring the sampler back to its normal operating state.

- 5 Select **Back** in the bottom right corner to exit the **Gripper Verification** function.

Injector Steps

Injector Steps is a diagnostic tool with which the user can walk through the whole injection process while having manual control over the elemental steps. This can be especially beneficial during troubleshooting when close observation of each individual step of the injection cycle can be crucial for success.

NOTE

For some commands, there are prerequisite steps that are executed automatically if not already done (see [Table 20](#) on page 185).

The execution of the **Injector Steps** tool encompasses the following elementary steps when the Agilent Lab Advisor Software is used:

- 1 Select **Injector Steps** from the list under **Service & Diagnostics**.
- 2 Enter a valid value for the vial location and the injection volume in the **Location** and **Volume** fields, respectively.
- 3 Select and execute any of the step commands (see [Table 20](#) on page 185).
- 4 Select **Back** in the bottom right corner to exit the **Gripper Verification** function.

The vial is returned, the metering plunger moves into the home position, and the injection valve switches into the mainpass position.

Table 20 List of injector step commands

Command	Action	Prerequisite Steps ¹
Valve Bypass	The injection valve switches into the bypass position.	
Plunger Home	The metering piston moves into the home position.	Valve Bypass
Needle Up	The needle arm moves into the upper position.	Valve Bypass
Vial to Seat	The gripper arm moves the specified vial to the needle seat.	<ul style="list-style-type: none"> • Valve Bypass • Needle Up
Needle into Sample	The needle arm moves down and the needle penetrates into the vial.	<ul style="list-style-type: none"> • Valve Bypass • Needle Up • Vial to Seat
<p>NOTE</p> <p>Always the default needle offset value (0.0 mm) is applied.</p>		
Draw	The metering device draws the specified volume into the loop capillary.	<ul style="list-style-type: none"> • Valve Bypass • Needle Up • Vial to Seat • Needle into Sample
<p>NOTE</p> <p>This step can be performed multiple times, although the maximum volume of the analytical head will not be exceeded. Use Plunger Home to reset the metering device.</p>		
Needle Up	The needle arm moves into the upper position, lifting the needle out of the vial.	Valve Bypass
Vial to Tray	The gripper arm returns the vial into its original position in the vial drawer.	Needle Up
Needle into Seat	The needle moves down into the needle seat.	Needle Up (only if a vial is present on the needle seat)
Valve Mainpass	The injection valve switches into the mainpass position.	Needle into Seat
Reset	The sampler gets reset and will reinitialize	

¹ Prerequisite steps are executed automatically if not already done.

Park Arm

For transportation of the Vialsampler, the transport arm must be moved into the park position and secured with the transport foam (Transport Protection Foam (G7129-40050)).

The **Park Arm** function can be found under **Special Commands** in the **Instrument Control** tab of the Agilent Lab Advisor software.

CAUTION

Unsecured transportation of the module

The Vialsampler must be transported in the park position with the transport foam installed. Failing to do so might lead to damage to the internal parts.

- ✓ Ensure that all vials are removed from the vial drawers.
 - ✓ Ensure that the transport assembly is in the park position.
 - ✓ Ensure that the Transport Protection Foam (G7129-40050) is correctly installed.
-

Diagnostic Tests

Sample Cooler Function Test

The **Sample Cooler Function Test** is a diagnostic test to verify the correct functioning of the Sample Cooler/Sample Thermostat. The test takes up to 15 min to complete and returns a pass/fail type result. If the test failed or was aborted by the system, the final report will include some information on the possible root causes.

Before the test starts, the compressor is turned off to allow the system to reach the initial conditions. The test starts with acquiring data from the evaporator temperature sensor. If the reading is stable for at least 10 s ($\Delta T < 0.5\text{ }^{\circ}\text{C}$), the compressor turns on and the temperature inside the cooler/thermostat starts to drop.

For the test to succeed, the system must pass three temperature checkpoints in a timely manner. These checkpoints are the following:

- Checkpoint 1: The temperature drops by 1/3 of the difference between the starting temperature and 5 °C.
- Checkpoint 2: The temperature drops below 5 °C.
- Checkpoint 3: The temperature stabilizes at a value below 5 °C and stays stable for at least 60 s ($\Delta T < 1.0\text{ }^{\circ}\text{C}$).

For a Sample Thermostat, the heater resistance of the heating elements will also be tested and checked if the measured value is within the acceptance range (5 – 9 Ohm).

NOTE

For testing the heater resistance of the Sample Thermostat, Lab Advisor version B.02.11 or higher is needed.

Heater Test

The **Heater Test** is a diagnostic test to verify the correct functioning of the heating element of the Integrated Column Compartment (ICC). It measures the heating rate of the column oven and compares it against the threshold value. The test takes less than 1 min to complete and returns a pass/fail type result.

For the test to start, the actual temperature in the column oven must be equal to or below 60 °C. If the temperature is above 60 °C, the heater turns off and the system waits until the starting condition is reached.

NOTE

To circumvent any negative effect on the test result, the Sample Cooler/Sample Thermostat is turned off for the duration of the test if present.

Agilent Lab Advisor Software

The Agilent Lab Advisor Software (basic license, shipped with an Agilent LC pump) is a standalone product that can be used with or without a chromatographic data system. Agilent Lab Advisor helps to manage the lab for high-quality chromatographic results by providing a detailed system overview of all connected analytical instruments with instrument status, Early Maintenance Feedback counters (EMF), instrument configuration information, and diagnostic tests. By the push of a button, a detailed diagnostic report can be generated. Upon request, the user can send this report to Agilent for a significantly improved troubleshooting and repair process.

The Agilent Lab Advisor software is available in two versions:

- Lab Advisor Basic
- Lab Advisor Advanced

Lab Advisor Basic is included with every Agilent 1200 Infinity Series and Agilent InfinityLab LC Series instrument.

The Lab Advisor Advanced features can be unlocked by purchasing a license key, and include real-time monitoring of instrument actuals, all various instrument signals, and state machines. In addition, all diagnostic test results, calibration results, and acquired signal data can be uploaded to a shared network folder. The Review Client included in Lab Advisor Advanced allows to load and examine the uploaded data no matter on which instrument it was generated. This makes Data Sharing an ideal tool for internal support groups and users who want to track the instrument history of their analytical systems.

The optional Agilent Maintenance Wizard Add-on provides an easy-to-use, step-by-step multimedia guide for performing preventive maintenance on Agilent 1200 Infinity and Agilent InfinityLab LC Series instrument.

The tests and diagnostic features that are provided by the Agilent Lab Advisor software may differ from the descriptions in this manual. For details, refer to the Agilent Lab Advisor software help files.

7

Error Information

What are Error Messages	192
General Error Messages	193
Timeout	193
Shutdown	194
Remote Timeout	195
Lost CAN Partner	195
Leak Sensor	196
Leak Sensor Open	197
Leak Sensor Short	198
Compensation Sensor Open	199
Compensation Sensor Short	199
Fan Failed	200
Vialsampler Error Messages	201
Command failed errors	201
Metering home failed	202
Automatic Referencing procedure failed	202
Needle up/down failed errors	203
Missing vial errors	204
Motor overtemp	205
Motor alignment failed	206
Invalid vial position errors	207
Cleanup after abort failed	208
Wash procedure failed	208
Start of maintenance procedure failed errors	209
Injection valve position not found	209
Cannot move metering, the metering type definition is incorrect	210
Initialization failed errors	210
Unexpected block during axis movement	211
Timeout during axis movement	212

Sample Cooler/Sample Thermostat Error Messages	213
Sample temperature control voltage too low, check fuses and wires	213
Sample temperature control switched off due to condensate	213
Sample temperature control switched off due to overpressure	214
Sample temperature control sensor electronics calibration failed	214
Sample temperature control switched off due to supply voltage drop	215
Cooler condensate sensor defect	215
Cooler PCB is in error mode	215
Cooler condenser fan failed	216
Thermostat communication error	216
Heater defect	216
Heater in operating error	217
Thermostat sensor defect	217
Compressor has error	217
Sample Thermostat unknown	218
Thermostat fan defect	218
Integrated Column Compartment (ICC) Heater Error Messages	219
Wait for temperature function timed out	219
Heater over-current protection active	219
A heater sensor reading failed	220
Trend analysis for the heater temperature sensors failed	220
Maximum heater temperature exceeded	221
Column heater not connected	221

This chapter describes the meaning of error messages, and provides information on probable causes and suggested actions how to recover from error conditions.

What are Error Messages

Error messages are displayed in the user interface when an electronic, mechanical, or hydraulic (flow path) failure occurs which requires attention before the analysis can be continued (for example, repair, or exchange of consumables is necessary). In the event of such a failure, the red status indicator at the front of the module is switched on, and an entry is written into the module logbook.

If an error occurs outside a method run, other modules will not be informed about this error. If it occurs within a method run, all connected modules will get a notification, all LEDs get red and the run will be stopped. Depending on the module type, this stop is implemented differently. For example, for a pump the flow will be stopped for safety reasons. For a detector, the lamp will stay on in order to avoid equilibration time. Depending on the error type, the next run can only be started, if the error has been resolved, for example liquid from a leak has been dried. Errors for presumably single time events can be recovered by switching on the system in the user interface.

Special handling is done in case of a leak. As a leak is a potential safety issue and may have occurred at a different module from where it has been observed, a leak always causes a shutdown of all modules, even outside a method run.

In all cases, error propagation is done via the CAN bus or via an APG/ERI remote cable (see documentation for the APG/ERI interface).

General Error Messages

Timeout

Error ID: 0062

The timeout threshold was exceeded.

Probable cause	Suggested actions
1 The analysis was completed successfully, and the timeout function switched off the module as requested.	Check the logbook for the occurrence and source of a not-ready condition. Restart the analysis where required.
2 A not-ready condition was present during a sequence or multiple-injection run for a period longer than the timeout threshold.	Check the logbook for the occurrence and source of a not-ready condition. Restart the analysis where required.

Shutdown

Error ID: 0063

An external instrument has generated a shutdown signal on the remote line.

The module continually monitors the remote input connectors for status signals. A LOW signal input on pin 4 of the remote connector generates the error message.

Probable cause	Suggested actions
1 Leak detected in another module with a CAN connection to the system.	Fix the leak in the external instrument before restarting the module.
2 Leak detected in an external instrument with a remote connection to the system.	Fix the leak in the external instrument before restarting the module.
3 Shut-down in an external instrument with a remote connection to the system.	Check external instruments for a shut-down condition.
4 The degasser failed to generate sufficient vacuum for solvent degassing.	Check the vacuum degasser for an error condition. Refer to the <i>Service Manual</i> for the degasser or the pump that has the degasser built-in.

Remote Timeout

Error ID: 0070

A not-ready condition is still present on the remote input. When an analysis is started, the system expects all not-ready conditions (for example, a not-ready condition during detector balance) to switch to run conditions within one minute of starting the analysis. If a not-ready condition is still present on the remote line after one minute the error message is generated.

Probable cause	Suggested actions
1 Not-ready condition in one of the instruments connected to the remote line.	Ensure the instrument showing the not-ready condition is installed correctly, and is set up correctly for analysis.
2 Defective remote cable.	Exchange the remote cable.
3 Defective components in the instrument showing the not-ready condition.	Check the instrument for defects (refer to the instrument's documentation).

Lost CAN Partner

Error ID: 0071

During an analysis, the internal synchronization or communication between one or more of the modules in the system has failed.

The system processors continually monitor the system configuration. If one or more of the modules is no longer recognized as being connected to the system, the error message is generated.

Probable cause	Suggested actions
1 CAN cable disconnected.	<ul style="list-style-type: none"> Ensure all the CAN cables are connected correctly. Ensure all CAN cables are installed correctly.
2 Defective CAN cable.	Exchange the CAN cable.
3 Defective mainboard in another module.	Switch off the system. Restart the system, and determine which module or modules are not recognized by the system.

Leak Sensor

Error ID: 0064

A leak was detected in the module.

The signals from the two temperature sensors (leak sensor and board-mounted temperature-compensation sensor) are used by the leak algorithm to determine whether a leak is present. When a leak occurs, the leak sensor is cooled by the solvent. This changes the resistance of the leak sensor which is sensed by the leak sensor circuit on the main board.

Probable cause	Suggested actions
1 Loose fittings.	Ensure all fittings are tight.
2 Broken capillary.	Exchange defective capillaries.
3 Leaking rotor seal or needle seat.	Exchange the rotor seal or seat capillary.
4 Defective metering seal.	<ul style="list-style-type: none">• Exchange the metering seal.• <i>Make sure the leak sensor is thoroughly dry before restarting the autosampler.</i>
5 Leaking peristaltic pump	Exchange the peristaltic pump.

NOTE

The leak sensor in the sampler is hidden under the ICC Column Heater or Column Shelf respectively.

Leak Sensor Open

Error ID: 0083

The leak sensor in the module has failed (open circuit).

The current through the leak sensor is dependent on temperature. A leak is detected when solvent cools the leak sensor, causing the leak sensor current to change within defined limits. If the current falls outside the lower limit, the error message is generated.

Probable cause	Suggested actions
1 Leak sensor not connected to the power switch board.	Please contact your Agilent service representative.
2 Defective leak sensor.	Please contact your Agilent service representative.
3 Leak sensor incorrectly routed, being pinched by a metal component.	Please contact your Agilent service representative.
4 Power switch assembly defective	Please contact your Agilent service representative.

Leak Sensor Short

Error ID: 0082

The leak sensor in the module has failed (short circuit).

The current through the leak sensor is dependent on temperature. A leak is detected when solvent cools the leak sensor, causing the leak sensor current to change within defined limits. If the current increases above the upper limit, the error message is generated.

Probable cause	Suggested actions
1 Defective leak sensor.	Please contact your Agilent service representative.
2 Leak sensor incorrectly routed, being pinched by a metal component.	Please contact your Agilent service representative.
3 Power switch assembly defective	Please contact your Agilent service representative.
4 Cable or contact problem.	Please contact your Agilent service representative.

Compensation Sensor Open

Error ID: 0081

The ambient-compensation sensor (NTC) on the power switch board in the module has failed (open circuit).

The resistance across the temperature compensation sensor (NTC) on the power switch board is dependent on ambient temperature. The change in resistance is used by the leak circuit to compensate for ambient temperature changes. If the resistance across the sensor increases above the upper limit, the error message is generated.

Probable cause	Suggested actions
1 Loose connection between the power switch board and the mainboard	Please contact your Agilent service representative.
2 Defective power switch assembly	Please contact your Agilent service representative.

Compensation Sensor Short

Error ID: 0080

The ambient-compensation sensor (NTC) on the power switch board in the module has failed (open circuit).

The resistance across the temperature compensation sensor (NTC) on the power switch board is dependent on ambient temperature. The change in resistance is used by the leak circuit to compensate for ambient temperature changes. If the resistance across the sensor falls below the lower limit, the error message is generated.

Probable cause	Suggested actions
1 Defective power switch assembly	Please contact your Agilent service representative.
2 Loose connection between the power switch board and the mainboard	Please contact your Agilent service representative.

Fan Failed

Error ID: 0068

The fan in the autosampler module or in the Sample Cooler/Sample Thermostat has failed.

The hall sensor on the fan shaft is used by the mainboard to monitor the fan speed. If the fan speed falls below a certain limit for a certain length of time, the error message is generated.

This limit is given by 2 revolutions/second for longer than 5 seconds.

Depending on the module, assemblies (e.g. the lamp in the detector) are turned off to assure that the module does not overheat inside.

Probable cause	Suggested actions
1 Fan cable disconnected.	Please contact your Agilent service representative.
2 Defective fan.	Please contact your Agilent service representative.
3 Defective Sample Cooler/Sample Thermostat fan	Replace the Sample Cooler/Sample Thermostat.
4 Defective mainboard.	Please contact your Agilent service representative.

Viialsampler Error Messages

Command failed errors

These are non-specific error messages and only indicate that something went wrong during the execution of the given action command. They are usually coupled with other error events, which provide more specific information on the nature of the issue. To identify these source error events, look for entries with the same timestamp as for the *Command failed* error message.

- Error ID: 34202 → Metering command failed
- Error ID: 34205 → Draw command failed
- Error ID: 34208 → Eject command failed
- Error ID: 34211 → Mix command failed
- Error ID: 34214 → Needle command failed
- Error ID: 34217 → Transport command failed
- Error ID: 34220 → Valve command failed

Probable cause	Suggested actions
1 Command failed	Identify the source error message and follow the instructions provided for that.

Metering home failed

Error ID: 34224

The home position of the metering plunger is not found or the plunger is unable to move.

Probable cause	Suggested actions
1 Blockage in the flow path.	Check if there is a significant pressure difference (> 10 – 15 bar) between the mainpass and the bypass position of the injection valve. If yes, systematically replace the components of the mainpass: Needle seat, Needle, Rotor seal, Sample loop
2 Potential hardware error	Please contact your Agilent service representative.

Automatic Referencing procedure failed

Error ID: 34225

The execution of the **Automatic Referencing** procedure was aborted by the system due to an unexpected error.

Probable cause	Suggested actions
1 Potential hardware error	Please contact your Agilent service representative.
2 Physical blockage	Look for potential sources of physical blockage in the path of the gripper arm and eliminate them. Restart the sampler and observe if the problem persists.

Needle up/down failed errors

Error ID: 34303, 34304

- Error ID: 34303 → Needle up failed
- Error ID: 34304 → Needle down failed

The upper or the bottom position of the needle arm is not found or the needle arm is unable to move.

Probable cause	Suggested actions
1 Physical blockage	<ul style="list-style-type: none">• Look for potential sources of physical blockage in the path of the needle arm and eliminate them.• Verify the correct functioning of the needle arm by using the Injector Steps Lab Advisor tool.• Restart the sampler and observe if the problem persists.
2 Potential hardware error	Please contact your Agilent service representative.

Missing vial errors

Error ID: 34305, 34306

- Error ID: 34305 → Missing vial
- Error ID: 34306 → No wash vial

The gripper failed to detect any vial in the specified position of the vial tray.

Probable cause	Suggested actions
<p>1 Missing vial</p>	<ul style="list-style-type: none"> • Verify the presence of a suitable vial in the position specified in the method or sequence. • If an injector program or purification method is used, verify that there is no controversial information specified there. • Rerun the method/sequence and observe if the problem persists.
<p>2 Unsuitable vial type</p>	<p>Verify that the vials and caps used by the method comply with the requirements from Agilent.</p>
<p>3 Broken gripper</p>	<p>Verify the correct functioning of the gripper by using the Gripper Verification tool. Replace the gripper if needed.</p>
<p>4 Misaligned gripper arm</p>	<p>Verify the correct functioning of the gripper arm by using the Gripper Verification and Injector Steps tools. If the gripper arm appears to be out of alignment, contact Agilent for more information.</p>
<p>5 Potential hardware error</p>	<p>Please contact your Agilent service representative.</p>

Motor overtemp

Error ID: 34307

The ongoing transport movement is aborted because the transport assembly stepper motors are overheated.

- 34307,0 corresponds to the X-axis stepper motor.
- 34307,1 corresponds to the Z-axis stepper motor.
- 34307,2 corresponds to the theta stepper motor.
- 34307,3 corresponds to the gripper stepper motor.

Probable cause	Suggested actions
1 Physical blockage	<ul style="list-style-type: none"> • Look for potential sources of physical blockage in the path of the gripper arm and eliminate them. • Verify that the X-axis movement is not hindered by any obstacle, for example, by a vial that is stuck below the transport rods in the transport assembly body. • Restart the sampler and observe if the problem still persists.
2 Broken gripper	Verify the correct functioning of the gripper by using the Gripper Verification tool. Replace the gripper if needed.
3 Contaminated transport rods	Inspect the x- and z-axis transport rods and clean them if you observe contamination or dust accumulation on them. Use isopropanol and lint-free cloth for this purpose.
4 Misaligned gripper arm	Verify the correct functioning of the gripper arm by using the Gripper Verification and Injector Steps tools. If the gripper arm appears to be out of alignment, contact Agilent for more information.
5 Potential hardware error	Please contact your Agilent service representative.

Motor alignment failed

Error ID: 34221

The alignment of the transport assembly stepper motors failed during the initialization process.

- 34221,0 corresponds to the X-axis stepper motor.
- 34221,1 corresponds to the Z-axis stepper motor.
- 34221,2 corresponds to the theta stepper motor.
- 34221,3 corresponds to the gripper stepper motor.

Probable cause

- 1 Potential hardware error

Suggested actions

Please contact your Agilent service representative.

Invalid vial position errors

Error ID: 34309, 34313

The vial position defined in the method/sequence is invalid.

The vial drawers are automatically recognized by the reflection sensors on the transport assembly when they are installed in the Vialsampler. The vial drawers are distinguished on the basis of the tag information on their rear side (white markers). If the information from the optical sensors is not in agreement with the vial position defined in the method/sequence, the ongoing analysis will be aborted and the respective error ID reported.

- Error ID: 34309 → Invalid vial position
- Error ID: 34313 → Invalid wash vial position

Probable cause	Suggested actions
1 Missing vial tray	Verify that the correct vial drawer type is installed in the sampler and the drawer is pushed all the way in. Restart the sampler and observe if the problem still persists.
2 Missing tag information	Verify that the white markers are still intact and they are not covered by dirt or dust. If necessary, clean the markers with isopropanol or replace the vial tray.
3 Misaligned gripper arm	Verify the correct functioning of the gripper arm by using the Gripper Verification and Injector Steps tools. If the gripper arm appears to be out of alignment, contact Agilent for more information.
4 Potential hardware error	Please contact your Agilent service representative.

Cleanup after abort failed

Error ID: 34310

This, similarly to the **Command failed error** events, is a non-specific error message and indicates only that something went wrong during the cleanup procedure. The cleanup procedure refers to the process, which is executed when an analysis is aborted (for example, due to a missing vial) and the components of the sampler (such as the needle, gripper arm, and the metering device) need to be reset to the initial conditions. As for the **Command failed error** events, this error message is usually also coupled with other error events, which provide more specific information on the nature of the issue. To identify these source error events, look for entries with the same timestamp as for the **Cleanup after abort failed** error message.

Probable cause	Suggested actions
1 Cleanup procedure failed	Identify the source error message and follow the instructions provided for that.

Wash procedure failed

Error ID: 34314

This, similarly to the **Command failed error** events, is a non-specific error message and indicates only that something went wrong during the wash procedure. It is usually coupled with other error events, which provide more specific information on the nature of the issue. To identify these source error events, look for entries with the same timestamp as for the **Wash procedure failed** error message.

Probable cause	Suggested actions
1 Wash procedure failed	Identify the source error message and follow the instructions provided for that.

Start of maintenance procedure failed errors

Error ID: 34315, 34316, 34317

These, similarly to the **Command failed error** events, are non-specific error messages and indicate only that something went wrong with initiating the given maintenance procedure. These error messages are usually coupled with other error events, which provide more specific information on the nature of the issue. To identify these source error events, look for entries with the same timestamp as for the **Start of maintenance procedure failed** error message.

- Error ID: 34315 → Start of needle/seat change procedure failed
- Error ID: 34316 → Start of piston change procedure failed
- Error ID: 34317 → Start of gripper change procedure failed

Probable cause	Suggested actions
1 Maintenance procedure failed	Identify the source error message and follow the instructions provided for that.

Injection valve position not found

Error ID: 34319

The injection valve position is not found or the valve is unable to switch.

Probable cause	Suggested actions
1 Overtightened screws	Verify that the stator screws are not overtightened as it can lead to hindered rotor movements. If necessary, loosen the stator screws and retighten them appropriately.
2 Broken rotor seal	Check the rotor seal for signs of visible damage and if necessary, replace it.
3 Broken stator	Check the stator for signs of visible damage and if necessary, replace it.
4 Potential hardware error	Please contact your Agilent service representative.

Cannot move metering, the metering type definition is incorrect

Error ID: 34320

The analytical head is not operational because there is no valid information available for its type in the firmware.

Probable cause	Suggested actions
1 Missing configuration data	Verify that the type of the analytical head is correctly configured in the CDS or Lab Advisor.
2 Potential hardware error	Please contact your Agilent service representative.

Initialization failed errors

These are non-specific error messages and indicate only that something went wrong during the initialization of the given component. They are usually coupled with other error events, which provide more specific information on the nature of the issue. To identify these source error events, look for entries with the same timestamp as for the **Initialization failed** error message.

- Error ID: 34322 → Metering device initialization failed
- Error ID: 34323 → Injection valve initialization failed
- Error ID: 34324 → Needle device initialization failed
- Error ID: 34325 → Transport initialization failed
- Error ID: 34326 → Sampler initialization failed

Probable cause	Suggested actions
1 Initialization failed	Identify the source error message and follow the instructions provided for that.

Unexpected block during axis movement

Error ID: 34329

The ongoing transport movement is aborted due to a potential blockage in the pathway of the gripper arm.

- 34329,0 corresponds to the X-axis movement.
- 34329,1 corresponds to the Z-axis movement.
- 34329,2 corresponds to the theta movement.
- 34329,3 corresponds to the gripper finger movements.

Probable cause	Suggested actions
1 Physical blockage	Look for potential sources of physical blockage in the path of the gripper arm and eliminate them. Restart the sampler and observe if the problem persists.
2 Broken gripper	Verify the correct functioning of the gripper by using the Gripper Verification tool. Replace the gripper if needed.
3 Contaminated transport rods	Inspect the x- and z-axis transport rods and clean them if you observe contamination or dust accumulation on them. Use isopropanol and lint-free cloth for this purpose.
4 Misaligned gripper arm	Verify the correct functioning of the gripper arm by using the Gripper Verification and Injector Steps tools. If the gripper arm appears to be out of alignment, contact Agilent for more information.
5 Potential hardware error	Please contact your Agilent service representative.

Timeout during axis movement

Error ID: 34330

The system reported an error because the execution of the given transport command took longer than expected.

- 34330,0 corresponds to the X-axis movement.
- 34330,1 corresponds to the Z-axis movement.
- 34330,2 corresponds to the theta movement.
- 34330,3 corresponds to the gripper finger movements.

Probable cause	Suggested actions
1 Contaminated transport rods	Inspect the x- and z-axis transport rods and clean them if you observe contamination or dust accumulation on them. Use isopropanol and lint-free cloth for this purpose.
2 Broken gripper	Verify the correct functioning of the gripper by using the Gripper Verification tool. Replace the gripper if needed.
3 Potential hardware error	Please contact your Agilent service representative.
4 Misaligned gripper arm	Verify that the alignment parameters are in the correct range and perform the Automatic Referencing if needed.

Sample Cooler/Sample Thermostat Error Messages

Sample temperature control voltage too low, check fuses and wires

Error ID: 30713

The compressor voltage is below the lower threshold value.

Probable cause	Suggested actions
1 Potential hardware error	Please contact your Agilent service representative.

Sample temperature control switched off due to condensate

Error ID: 30715

The cooler/thermostat was switched off due to a condensate event.

Probable cause	Suggested actions
1 Overfilled container	Empty the condensate container. Verify that the open end of the tubing doesn't immerse in the liquid.
2 Drainage issues	<ul style="list-style-type: none"> • Verify the correct plumbing of the condensate drainage system. • Make sure that no kinks or mechanical blocks are present in the drainage system. • Avoid the formation of the siphoning effect. • Make sure that the hosting sampler is level.

Sample temperature control switched off due to overpressure

Error ID: 30716

The pressure in the refrigerant circuit exceeded the maximum allowed level. To prevent any damage to the system, the compressor was turned off.

Probable cause	Suggested actions
1 Overheated condenser	Turn off the cooler/thermostat and wait for 15 min to allow the system to cool down. Verify if there is enough space around the sampler for adequate ventilation and the cooler/thermostat is not exposed to direct sunlight.
2 Potential hardware error	Please contact your Agilent service representative.

Sample temperature control sensor electronics calibration failed

Error ID: 30717

The system is in the error state because the calibration of the analog temperature sensor has failed.

Probable cause	Suggested actions
1 Sampler incompatibility	If the hosting sampler is a Vialsampler, verify its compatibility with the Sample Cooler installed. Units with the serial number DEBATO2000 or below are equipped with an analog temperature sensor that is not compatible with the Vialsampler.
2 Potential hardware error	Please contact your Agilent service representative.

Sample temperature control switched off due to supply voltage drop

Error ID: 30718

The compressor is turned off due to an unexpected drop in the supply voltage.

Probable cause	Suggested actions
1 Potential hardware error	Please contact your Agilent service representative.

Cooler condensate sensor defect

Error ID: 30719

The condensate sensor of the cooler/thermostat is not working properly.

Probable cause	Suggested actions
1 Potential hardware error	Please contact your Agilent service representative.

Cooler PCB is in error mode

Error ID: 30275

The system is in the error state because the compressor control board has encountered an unexpected error.

Probable cause	Suggested actions
1 Potential hardware error	Please contact your Agilent service representative.

Cooler condenser fan failed

Error ID: 30726

The condenser fan of the cooler/thermostat is not working properly.

Probable cause	Suggested actions
1 Potential hardware error	Please contact your Agilent service representative.

Thermostat communication error

Error ID: 30738

The system is in the error state because the communication between the sampler and the thermostat has failed.

Probable cause	Suggested actions
1 Potential hardware error	Please contact your Agilent service representative.

Heater defect

Error ID: 30739

The heating function of the thermostat is not working properly.

Probable cause	Suggested actions
1 Potential hardware error	Please contact your Agilent service representative.

Heater in operating error

Error ID: 30744

The system is in the error state because the thermostat heater has encountered an unexpected error.

Probable cause	Suggested actions
1 Potential hardware error	Please contact your Agilent service representative.

Thermostat sensor defect

Error ID: 30751

One of the digital temperature sensors of the cooler/thermostat is not working properly.

Probable cause	Suggested actions
1 Potential hardware error	Please contact your Agilent service representative.

Compressor has error

Error ID: 30756

The system is in the error state because the control board of the compressor has encountered an unexpected error.

Probable cause	Suggested actions
1 Potential hardware error	Please contact your Agilent service representative.

Sample Thermostat unknown

Error ID: 30768

Probable cause	Suggested actions
1 Potential hardware error	Please contact your Agilent service representative.

Thermostat fan defect

Error ID: 30771

One of the cooling fans of the cooler/thermostat is not working properly.

Probable cause	Suggested actions
1 Potential hardware error	Please contact your Agilent service representative.

Integrated Column Compartment (ICC) Heater Error Messages

Wait for temperature function timed out

Error ID: 30820

The system reported an error because reaching the set temperature took longer than expected. To verify the correct functioning of the heating, perform the Heater Test in the Agilent Lab Advisor software.

Probable cause	Suggested actions
1 Connection problems	<ul style="list-style-type: none"> Power off the system and verify that the ICC is correctly mounted in the sampler. Power on the system and check if the problem persists.
2 Potential hardware error	Please contact your Agilent service representative.

Heater over-current protection active

Error ID: 30821

The heating function of the Integrated Column Compartment is switched due to overcurrent.

To verify the correct functioning of the heating element, perform the **Heater Test** in the Agilent Lab Advisor software.

Probable cause	Suggested actions
1 Connection problems	<ul style="list-style-type: none"> Power off the system and verify that the ICC is correctly mounted in the sampler. Power on the system and check if the problem persists.
2 Potential hardware error	Please contact your Agilent service representative.

A heater sensor reading failed

Error ID: 30822

The heating function of the Integrated Column Compartment is switched off due to the malfunctioning of the digital temperature sensor.

To verify the correct functioning of the heating element, perform the **Heater Test** in the Agilent Lab Advisor software.

Probable cause	Suggested actions
1 Connection problems	<ul style="list-style-type: none"> Power off the system and verify that the ICC is correctly mounted in the sampler. Power on the system and check if the problem persists.
2 Potential hardware error	Please contact your Agilent service representative.

Trend analysis for the heater temperature sensors failed

Error ID: 30823

The heating function of the Integrated Column Compartment is switched off because the trend analysis of the reading from the digital temperature sensor has failed.

To verify the correct functioning of the heating element, perform the **Heater Test** in the Agilent Lab Advisor software.

Probable cause	Suggested actions
1 Connection problems	<ul style="list-style-type: none"> Power off the system and verify that the ICC is correctly mounted in the sampler. Power on the system and check if the problem persists.
2 Potential hardware error	Please contact your Agilent service representative.

Maximum heater temperature exceeded

Error ID: 30824

The heating function of the Integrated Column Compartment is switched off because the temperature registered by the temperature sensor exceeds the upper limit (100 °C).

To verify the correct functioning of the heating element, perform the **Heater Test** in the Agilent Lab Advisor software

Probable cause	Suggested actions
1 Connection problems	<ul style="list-style-type: none"> Power off the system and verify that the ICC is correctly mounted in the sampler. Power on the system and check if the problem persists.
2 Potential hardware error	Please contact your Agilent service representative.

Column heater not connected

Error ID: 30825

The Integrated Column Compartment is either not connected or cannot be recognized by the system.

Probable cause	Suggested actions
1 Connection problems	<ul style="list-style-type: none"> Power off the system and verify that the ICC is correctly mounted in the sampler. Power on the system and check if the problem persists.
2 Potential hardware error	Please contact your Agilent service representative.

8 Maintenance

Introduction to Maintenance	223
Warnings and Cautions	224
Overview of Maintenance	226
Cleaning the Module	227
Remove and Install Doors	228
Exchange the Needle Assembly	229
Exchange the Needle Seat Assembly	235
Exchange the Sample Loop Assembly	241
Exchange the Rotor Seal	245
Exchange the Metering Seal and Piston	250
Replace the Analytical Heads	255
Exchange the Gripper Arm	258
Replace the Peristaltic Pump Cartridge	261
Exchange the Wash Port Assembly	263
Replace the Module Firmware	269
Replace the Sample Cooler/Sample Thermostat	270

This chapter describes the maintenance of the module.

Introduction to Maintenance

The module is designed for easy maintenance. Maintenance can be done from the front with module in place in the system stack.

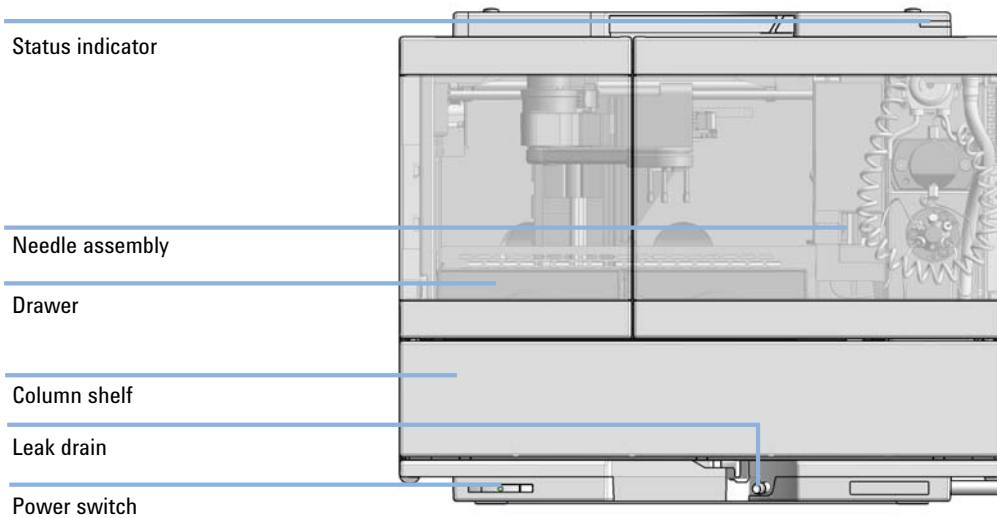


Figure 33 Overview of the Vialsampler

Warnings and Cautions

WARNING**Personal injury or damage to the product**

Agilent is not responsible for any damages caused, in whole or in part, by improper use of the products, unauthorized alterations, adjustments or modifications to the products, failure to comply with procedures in Agilent product user guides, or use of the products in violation of applicable laws, rules or regulations.

- ✓ Use your Agilent products only in the manner described in the Agilent product user guides.
-

WARNING**Electrical shock**

Repair work at the module can lead to personal injuries, e.g. shock hazard, when the cover is opened.

- ✓ Do not remove the cover of the module.
 - ✓ Only certified persons are authorized to carry out repairs inside the module.
-

WARNING**Sharp metal edges**

Sharp-edged parts of the equipment may cause injuries.

- ✓ To prevent personal injury, be careful when getting in contact with sharp metal areas.
-

WARNING

Toxic, flammable and hazardous solvents, samples and reagents

The handling of solvents, samples and reagents can hold health and safety risks.

- ✓ When working with these substances observe appropriate safety procedures (for example by wearing goggles, safety gloves and protective clothing) as described in the material handling and safety data sheet supplied by the vendor, and follow good laboratory practice.
 - ✓ The volume of substances should be reduced to the minimum required for the analysis.
 - ✓ Do not operate the instrument in an explosive atmosphere.
-

CAUTION

Safety standards for external equipment

- ✓ If you connect external equipment to the instrument, make sure that you only use accessory units tested and approved according to the safety standards appropriate for the type of external equipment.
-

WARNING

Heavy weight

The module is heavy.

- ✓ Carry the module at least with 2 people.
 - ✓ Avoid back strain or injury by following all precautions for lifting heavy objects.
 - ✓ Ensure that the load is as close to your body as possible.
 - ✓ Ensure that you can cope with the weight of your load.
-

Overview of Maintenance

It is necessary to perform periodic inspection of this instrument to ensure its safe use. It is possible to have these periodic inspections performed by Agilent service representatives on a contractual basis. For information regarding the maintenance inspection contract, contact your Agilent representative.

The following pages describe the maintenance (simple repairs) of the module that can be carried out without opening the main cover.

Table 21 Overview of maintenance

Procedure	Typical interval (minimum)
Change needle/needle seat	30000 needle into seat movements
Change peristaltic pump cartridge	3000 h on time
Change rotor seal	30000 injections
Change metering seal	30000 injections

Cleaning the Module

To keep the module case clean, use a soft cloth slightly dampened with water, or a solution of water and mild detergent. Avoid using organic solvents for cleaning purposes. They can cause damage to plastic parts.

WARNING

Liquid dripping into the electronic compartment of your module can cause shock hazard and damage the module

- ✓ Do not use an excessively damp cloth during cleaning.
- ✓ Drain all solvent lines before opening any connections in the flow path.

NOTE

A solution of 70 % isopropanol and 30 % water might be used if the surface of the module needs to be disinfected.

Remove and Install Doors

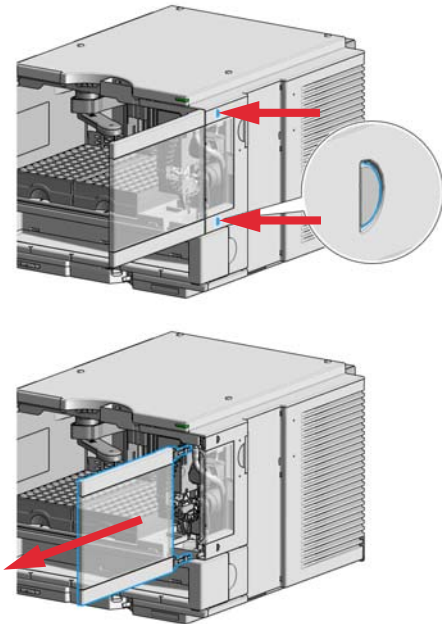
When The instrument doors or the hinges are broken.

Tools required **Description**
Flat screwdriver

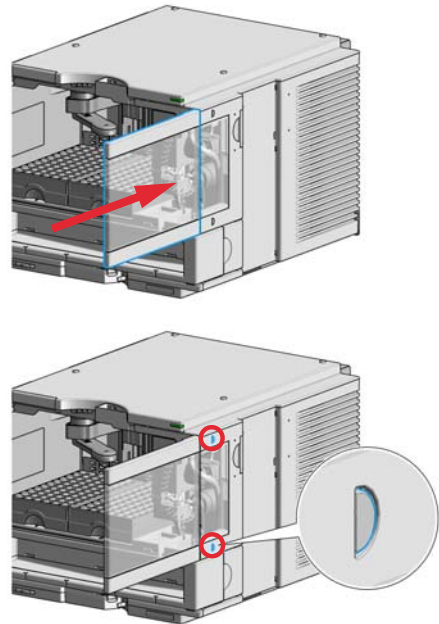
Parts required **p/n** **Description**
G7129-68702 Door Kit for Infinity II Vialsampler/Preparative Autosampler

Preparations Finish any pending acquisition job.

1 Press the release buttons and pull the front door out.



2 For the Installation of the front door, insert the hinges into their guides and push the door in until the release buttons click into their final position.



Exchange the Needle Assembly

- When**
- The needle is visibly damaged.
 - Leaks or blockages are observed.
 - The limit for the needle interaction EMF counter is exceeded.
 - The needle needs to be replaced as part of the yearly maintenance.

Tools required	p/n	Description
	8710-1924	Open-end wrench 14 mm
	8710-2140	Screwdriver Torx TX-10

Parts required	#	p/n	Description
	1	G7129-87200	Needle assembly, 1260 Vialsampler for G7129-87017 needle seat
OR	1	G7129-87201	Needle assembly, 1290 Vialsampler for G7129-87012 needle seat
OR	1	G7129-87202	Needle assembly, slotted, for high injection volumes

- Preparations**
- Finish any pending acquisition job.
 - Stop the flow at the pump and remove the solvent lines from the eluent bottles to avoid spilling solvent.
 - Close the shutoff valves at the pump if available.

WARNING
Toxic, flammable and hazardous solvents, samples and reagents

The handling of solvents, samples and reagents can hold health and safety risks.

- ✓ When working with these substances observe appropriate safety procedures (for example by wearing goggles, safety gloves and protective clothing) as described in the material handling and safety data sheet supplied by the vendor, and follow good laboratory practice.

WARNING**Risk of injury by uncovered needle**

An uncovered needle is a risk of harm to the operator.

- ✓ Do not open the safety cover of the needle station during normal operation.
- ✓ Wear safety goggles and safety gloves when removing the needle assembly.

NOTE

It is recommended to always exchange the needle assembly and the needle seat at the same time to prevent premature leakage.

NOTE

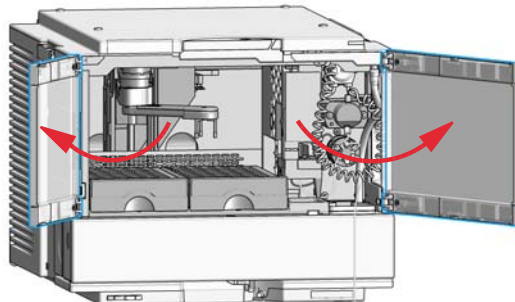
When the instrument setup has changed, configure the new setup in the online view of the Chromatographic Data System. See [Table 15](#) on page 155.

- 1 In the Agilent Lab Advisor software select **Service & Diagnostics> Maintenance Positions> Change Needle, Loop and Seat**, click **Start** and wait until the needle assembly is in maintenance position.

OR

In the Local Controller start the maintenance mode and select **Change Needle, Loop and Seat** function.

- 2 Open the doors of the module.



- 3 Loosen the safety cover screw.



WARNING

Sharp needle
Uncovered needles may cause injuries

- ✓ Do not touch the tip of the needle.

- 4 Remove the safety cover.

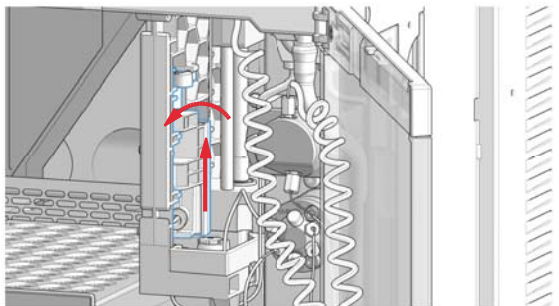


WARNING

Sharp needle
Uncovered needles may cause injuries.

- ✓ Do not change the needle seat at this point.
- ✓ Do not touch the tip of the needle.

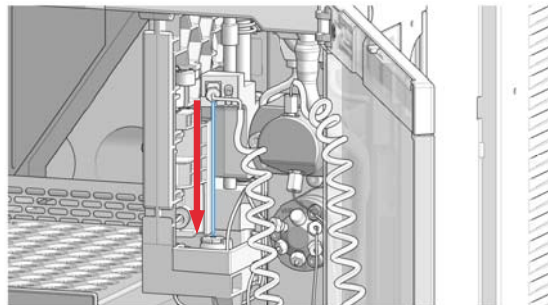
- 5 Move the wash port into the service position by slightly lifting it up and then flapping to the left.



- 6 In Lab Advisor use **Next** to move the needle in the down position (ca. 2 mm above the seat).

OR

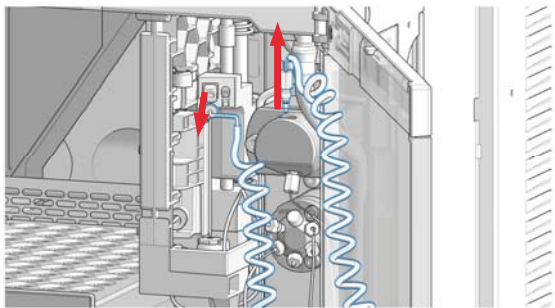
In the Local Controller, move the needle down until the needle tip is ca. 2 – 4 mm above the seat.



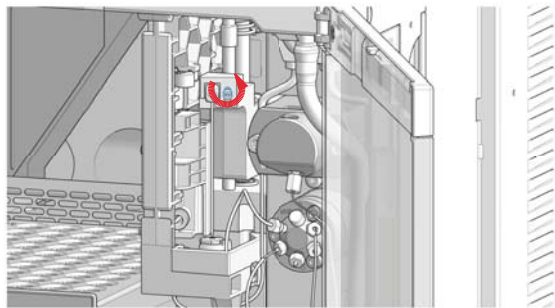
Maintenance

Exchange the Needle Assembly

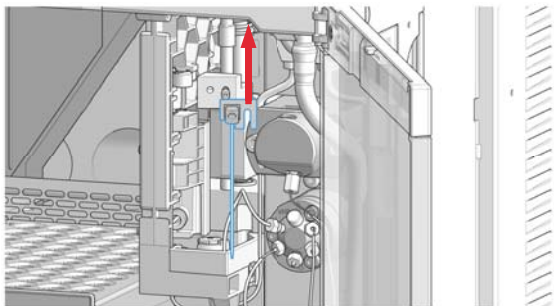
- 7** Disconnect the sample loop from the needle, and, if needed, also from the metering device.



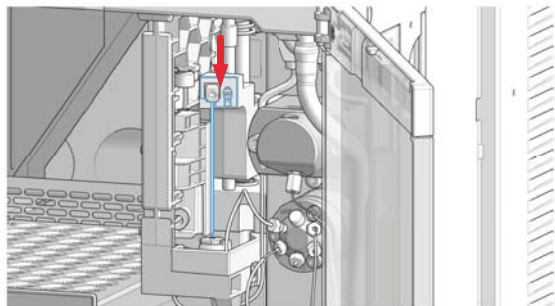
- 8** Loosen the fixing screw.



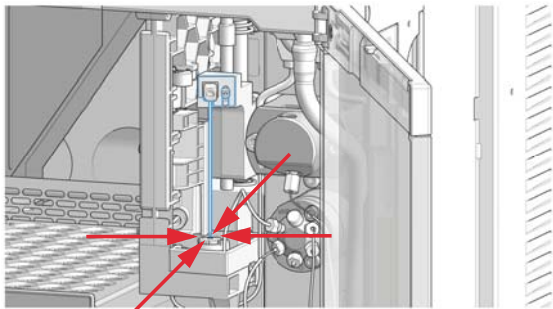
- 9** Lift out the needle.



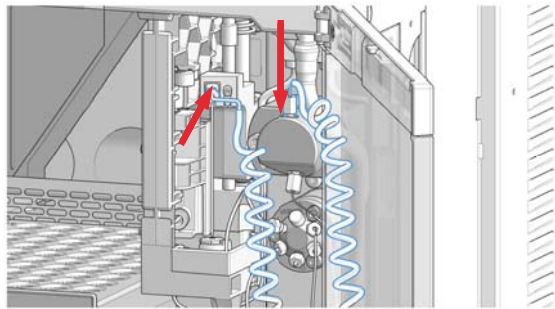
- 10** Mount and align the needle on its fixture, then tighten the screw firmly.



- 11** Align the needle tip with the seat and ensure that they are concentric. If needed, carefully bend the needle into the right position with your fingers.



- 12** Reconnect the sample loop to the needle. Make sure of the correct positioning of the loop capillary, the uncoiled part of the capillary must be horizontal.



NOTE

Do not overtighten the fitting!

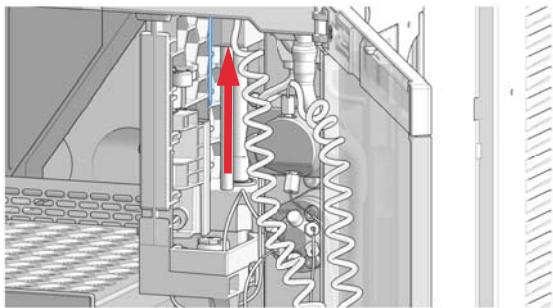
NOTE

Incorrect positioning and installation of the needle/loop connection can result in damaging or breaking the sample loop.

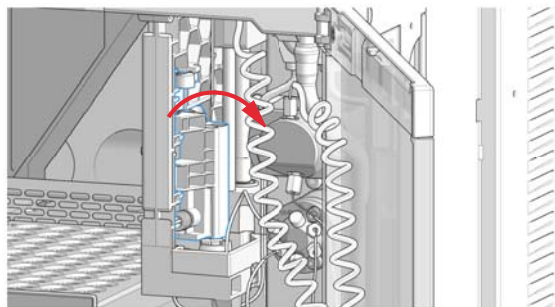
- 13** In Lab Advisor use **Next** to lift the needle slowly into the up position.

OR

In the Local Controller, move the needle up to the upper-most position.



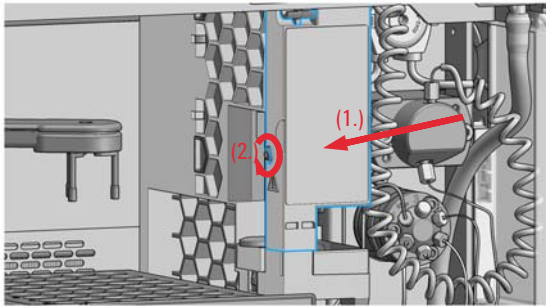
- 14** Move the wash port back into its normal position by turning it to the right.



Maintenance

Exchange the Needle Assembly

15 Install the safety cover (1.) and fix the screw (2.).

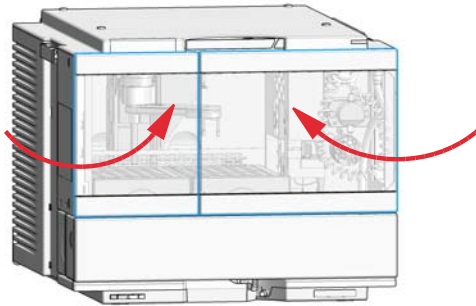


16 In Lab Advisor, select **Next** to move the needle into the needle seat and then **Back** to finish the maintenance procedure.

OR

In the Local Controller, select **Continue** to move the needle into the needle seat and then **Exit** to finish the maintenance procedure.

17 Close the doors.



18 Perform a **System Pressure Test**.

Exchange the Needle Seat Assembly

- When**
- The seat is visibly damaged.
 - Leaks or blockages are observed.
 - The limit for the seat interaction EMF counter is exceeded.
 - The needle seat needs to be replaced as part of the yearly maintenance.

Tools required	p/n	Description
	8710-1924	Open-end wrench 14 mm
	8710-2140	Screwdriver Torx TX-10 Flat screwdriver

Parts required	#	p/n	Description
	1	G7129-87017	Seat Assembly, 1260 Vialsampler, PEEK, 0.17 mm
OR	1	G7129-87012	Seat Assembly, 1290 Vialsampler, PEEK, 0.12 mm
OR	1	G7129-87117	Seat Assembly, 1260 Vialsampler, Vespel, 0.17 mm
OR	1	G7129-87112	Seat Assembly, 1290 Vialsampler, Vespel, 0.12 mm

- Preparations**
- Finish any pending acquisition job.
 - Stop the flow at the pump and remove the solvent lines from the eluent bottles to avoid spilling solvent.
 - Close the shutoff valves at the pump if available.

WARNING
Risk of injury by uncovered needle

An uncovered needle is a risk of harm to the operator.

- ✓ **Do not open the safety cover of the needle station during normal operation.**
- ✓ **Wear safety goggles and safety gloves when removing the needle assembly.**

NOTE

When the instrument setup has changed, configure the new setup in the online view of the Chromatographic Data System. See [Table 15](#) on page 155.

NOTE

It is recommended to always exchange the needle assembly and the needle seat at the same time to prevent premature leakage.

Maintenance

Exchange the Needle Seat Assembly

NOTE

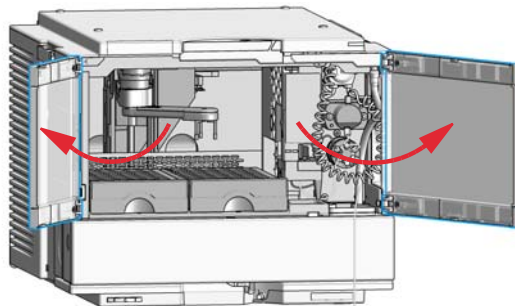
The use of a Vespel needle seat (G7129-87112 and G7129-87117) limits the maximum system pressure to 600 bar.

- 1** In the Agilent Lab Advisor software select **Service & Diagnostics> Maintenance Positions> Change Needle, Loop and Seat**, click **Start** and wait until the needle assembly is in maintenance position.

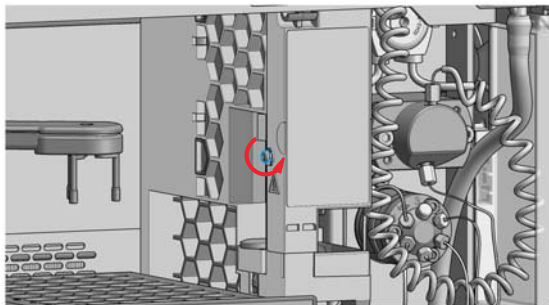
OR

In the Local Controller start the maintenance mode and select **Change Needle, Loop and Seat** function.

- 2** Open the doors of the module.



- 3** Loosen the safety cover screw.

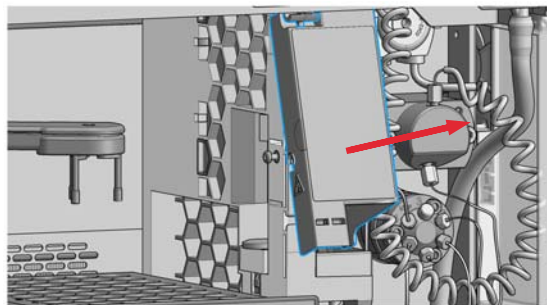


WARNING

Sharp needle
Uncovered needles may cause injuries

- ✓ Do not touch the tip of the needle.

- 4** Remove the safety cover.



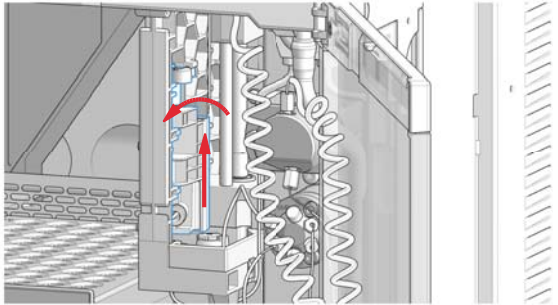
WARNING

Sharp needle

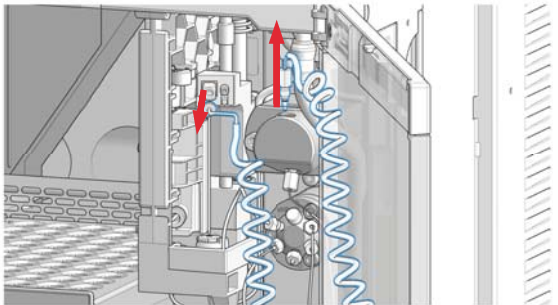
Uncovered needles may cause injuries.

- ✓ Do not change the needle seat at this point.
- ✓ Do not touch the tip of the needle.

- 5 Move the wash port into the service position by slightly lifting it up and then flapping to the left.



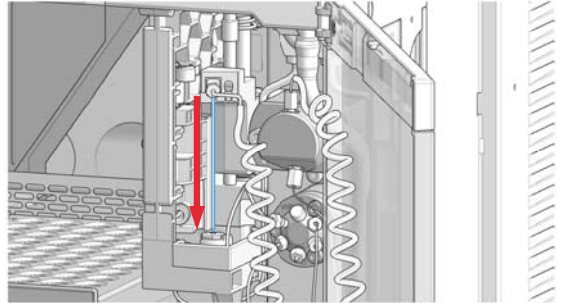
- 7 Disconnect the sample loop from the needle, and, if needed, also from the metering device.



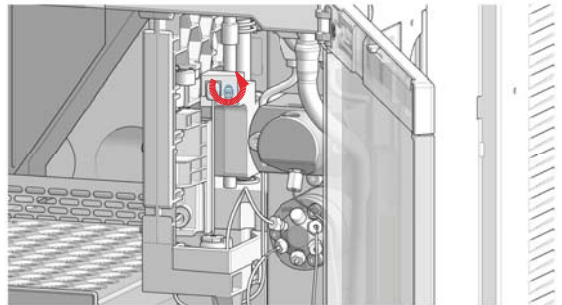
- 6 In Lab Advisor use **Next** to move the needle in the down position (ca. 2 mm above the seat).

OR

In the Local Controller, move the needle down until the needle tip is ca. 2 – 4 mm above the seat.



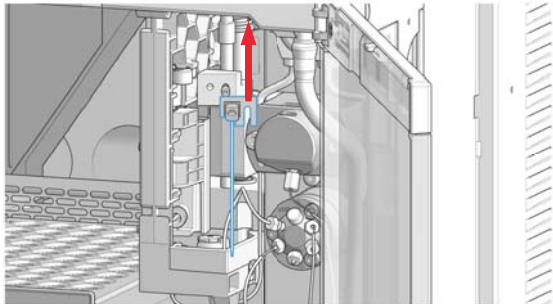
- 8 Loosen the fixing screw.



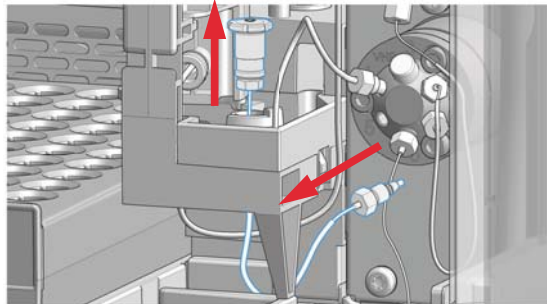
Maintenance

Exchange the Needle Seat Assembly

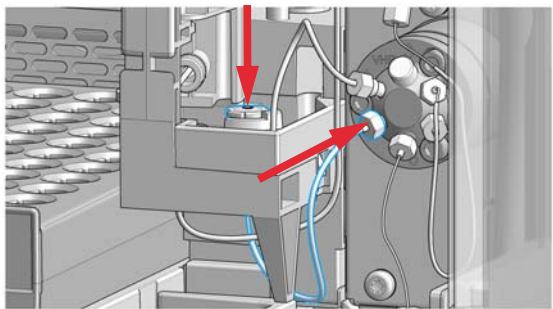
9 Lift out the needle.



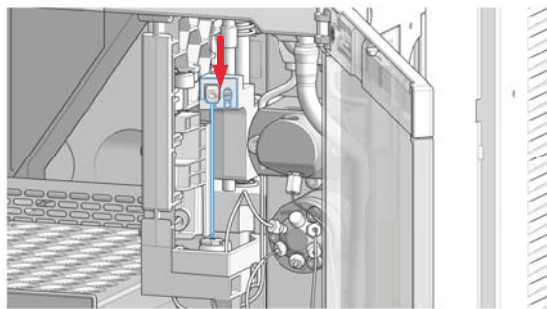
10 Disconnect the seat capillary fitting from the injection valve (port 5) and ease out the needle seat from the leak tray with the help of a flathead screwdriver.



11 Insert the new needle seat and press it firmly into position. Then, connect the seat capillary fitting to port 5 of the injection valve.



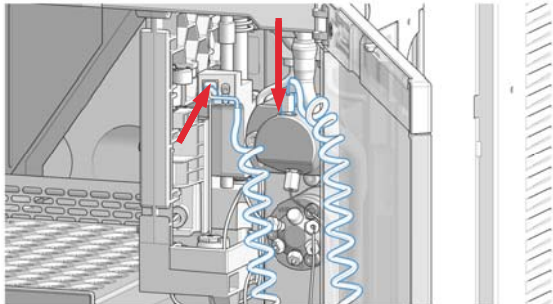
12 Mount and align the needle on its fixture, then tighten the screw firmly.



Maintenance

Exchange the Needle Seat Assembly

- 13** Reconnect the sample loop to the needle. Make sure of the correct positioning of the loop capillary, the uncoiled part of the capillary must be horizontal.



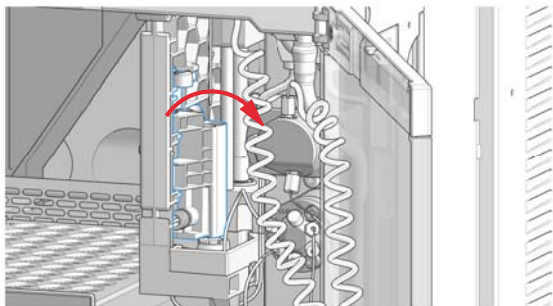
NOTE

Do not overtighten the fitting!

NOTE

Incorrect positioning and installation of the needle/loop connection can result in damaging or breaking the sample loop.

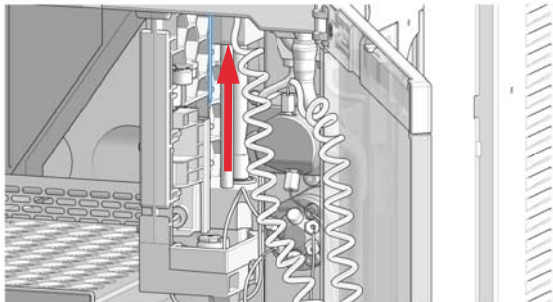
- 15** Move the wash port back into its normal position by turning it to the right.



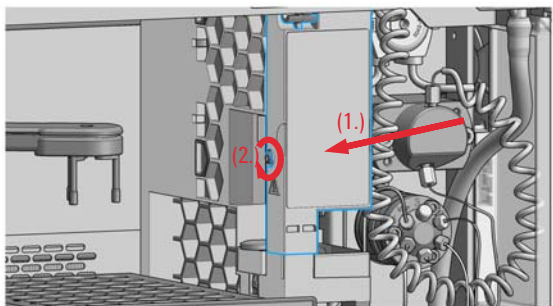
- 14** In Lab Advisor use **Next** to lift the needle slowly into the up position.

OR

In the Local Controller, move the needle up to the uppermost position.



- 16** Install the safety cover (1.) and fix the screw (2.).



Maintenance

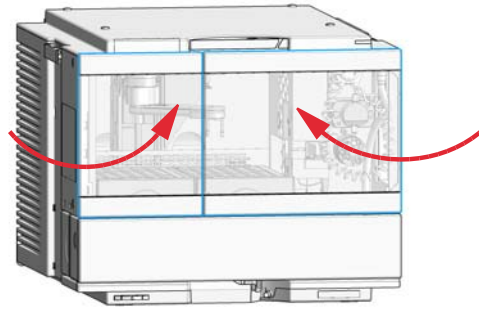
Exchange the Needle Seat Assembly

17 In Lab Advisor, select **Next** to move the needle into the needle seat and then **Back** to finish the maintenance procedure.

OR

In the Local Controller, select **Continue** to move the needle into the needle seat and then **Exit** to finish the maintenance procedure.

18 Close the doors.



19 Perform a **System Pressure Test**.

Exchange the Sample Loop Assembly

- When**
- The sample loop is visibly damaged.
 - Leaks or blockages are observed.

Tools required	p/n	Description
	8710-1924	Open-end wrench 14 mm

Parts required	#	p/n	Description
	1	G7129-60500	Sample Loop 100 μ L
OR	1	G7129-60400	Sample Loop 40 μ L
OR	1	G7129-60300	Sample Loop 20 μ L

- Preparations**
- Finish any pending acquisition job.
 - Stop the flow at the pump and remove the solvent lines from the eluent bottles to avoid spilling solvent.
 - Close the shutoff valves at the pump if available.

WARNING

Risk of injury by uncovered needle

An uncovered needle is a risk of harm to the operator.

- ✓ **Do not open the safety cover of the needle station during normal operation.**
- ✓ **Wear safety goggles and safety gloves when removing the needle assembly.**

NOTE

When the instrument setup has changed, configure the new setup in the online view of the Chromatographic Data System. See [Table 15](#) on page 155.

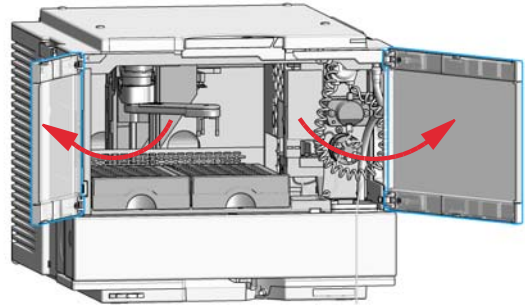
Exchange the Sample Loop Assembly

- 1 In the Agilent Lab Advisor software select **Service & Diagnostics> Maintenance Positions> Change Needle, Loop and Seat**, click **Start** and wait until the needle assembly is in maintenance position.

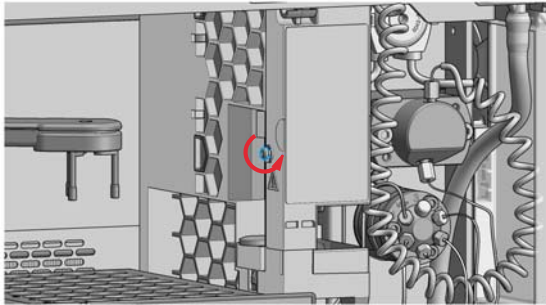
OR

In the Local Controller start the maintenance mode and select **Change Needle, Loop and Seat** function.

- 2 Open the doors of the module.



- 3 Loosen the safety cover screw.

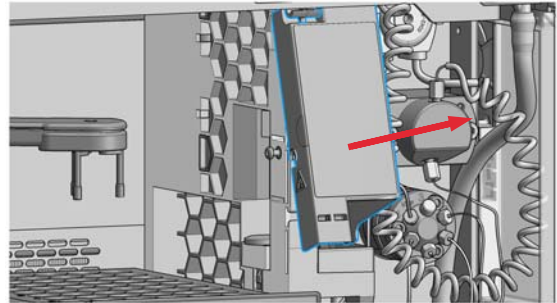


WARNING

Sharp needle
Uncovered needles may cause injuries

- ✓ Do not touch the tip of the needle.

- 4 Remove the safety cover.

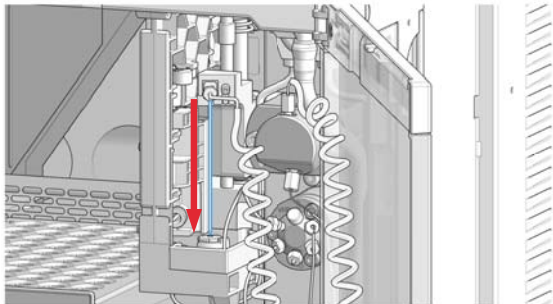


Exchange the Sample Loop Assembly

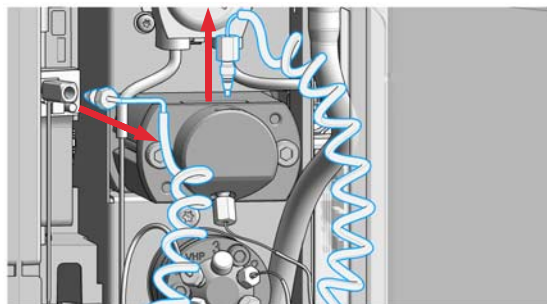
- 5 In Lab Advisor use **Next** to move the needle in the down position (ca. 2 mm above the seat).

OR

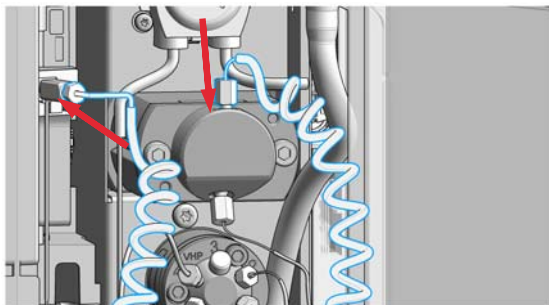
In the Local Controller, move the needle down until the needle tip is ca. 2 – 4 mm above the seat.



- 6 Disconnect the loop capillary from the metering device and from the needle.



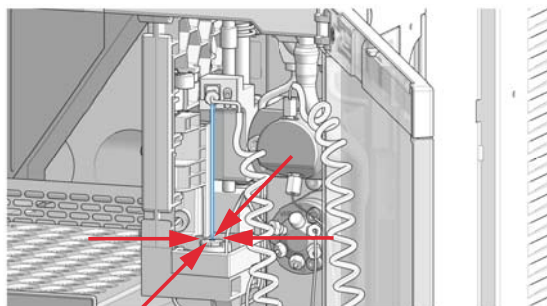
- 7 Install the new sample loop. Make sure of the correct positioning of the loop capillary, the uncoiled part of the capillary must be horizontal.



NOTE

Incorrect positioning and installation of the needle/loop connection can result in damaging and breaking the sample loop.

- 8 After installing the new sample loop, ensure that the needle tip is concentric with the seat.



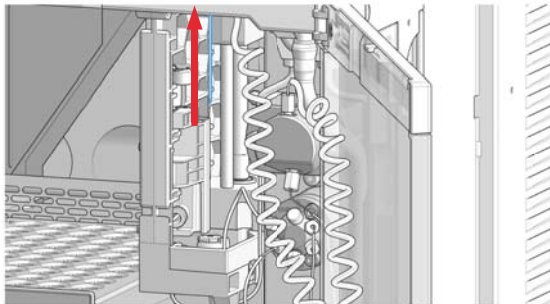
Maintenance

Exchange the Sample Loop Assembly

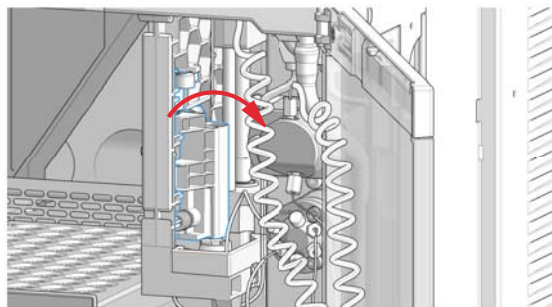
9 Click on **Next** in the LabAdvisor to lift the Needle up again.

OR

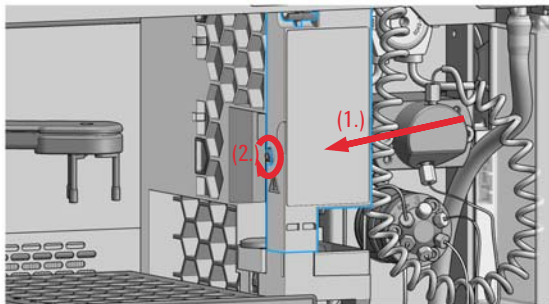
In the Local Controller, move the needle up to the upper-most position.



10 Move the wash port back into its normal position by turning it to the right.



11 Install the safety cover (1.) and fix the screw (2.).

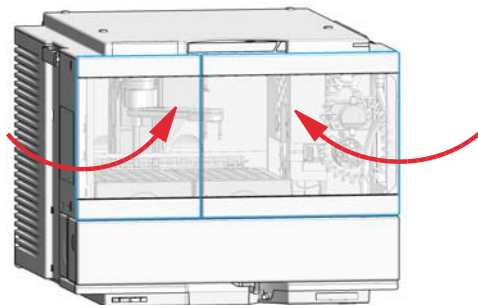


12 In Lab Advisor, select **Next** to move the needle into the needle seat and then **Back** to finish the maintenance procedure.

OR

In the Local Controller, select **Continue** to move the needle into the needle seat and then **Exit** to finish the maintenance procedure.

13 Close the doors.



14 Perform a **System Pressure Test**.

Exchange the Rotor Seal

- When**
- Injection volume reproducibility problems are observed.
 - Leaks or blockages are observed.
 - The limit for the rotor seal EMF counter is exceeded.
 - The rotor seal needs to be replaced as part of the yearly maintenance.

Tools required	p/n	Description
	8710-0510	Open-end wrench 1/4 – 5/16 inch
	8710-2394	Hex key 9/64 inch 15 cm long T-handle
		Cleaning tissue and appropriate solvent like isopropanol or methanol

Parts required	#	p/n	Description
	1	5068-0007	Rotor Seal, Vespel, 1300 bar for 1290 Infinity II Injection Valve
OR	1	0101-1416	Rotor Seal, PEEK, 600/800 bar for 1260 Infinity Injection Valve

- Preparations**
- Finish any pending acquisition job.
 - Stop the flow at the pump and remove the solvent lines from the eluent bottles to avoid spilling solvent.
 - Close the shutoff valves at the pump if available.

CAUTION

Reduced life time of the injection valve

Component cleanliness is crucial for the life time of the injection valve.

- ✓ Replace the rotor seal in a clean environment.

CAUTION

Removing the stator head

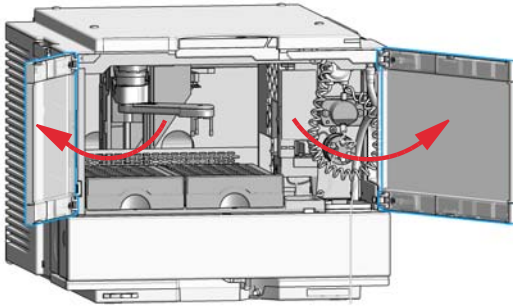
The stator face is held in place by the stator head. When you remove the stator head, the stator face can fall out of the valve.

- ✓ Carefully handle the valve to prevent damage to the stator face.
- ✓ Carefully handle the stator face during sonication.

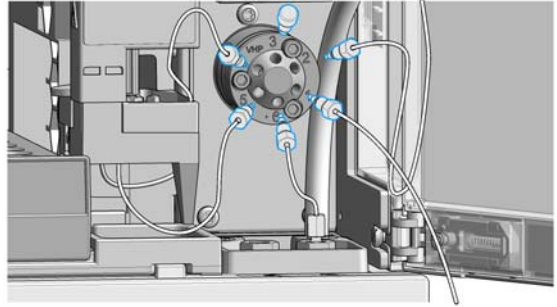
Maintenance

Exchange the Rotor Seal

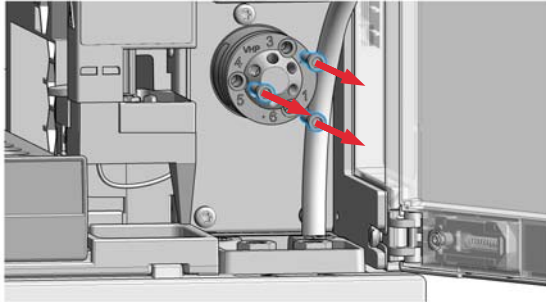
- 1 Open the doors of the module.



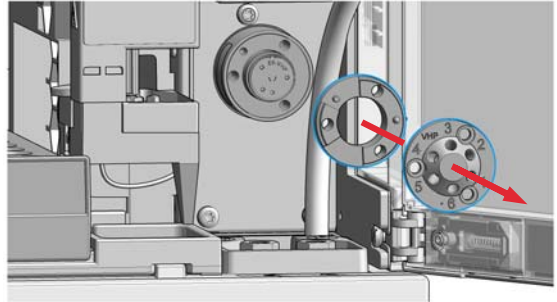
- 2 Remove all capillaries from the injection valve with a 1/4 inch wrench.



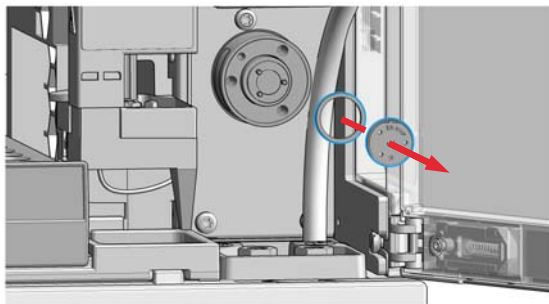
- 3 Loosen each fixing bolt two turns at a time. Remove the bolts from the head.



- 4 Remove the stator head and stator ring.



- 5 Remove the rotor seal and isolation seal.

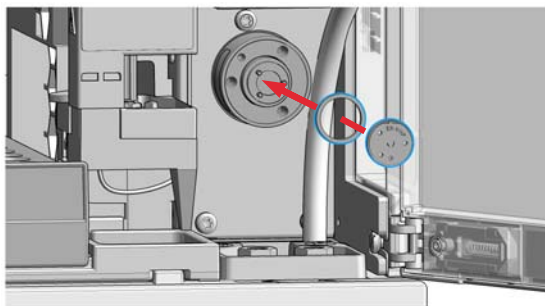


CAUTION

Damage to the rotor seal and cross-port leaks

- ✓ Before you replace the rotor seal, clean the stator.
- ✓ Inspect the stator head and swab it with the appropriate solvent. If more stringent cleaning is required, use a sonicator. Inspect the remaining valve components for contamination. Clean them as necessary.
- ✓ If the stator head is scratched, replace it.

- 6 Install the new rotor seal and isolation seal. Ensure the metal spring inside the isolation seal faces towards the valve body.



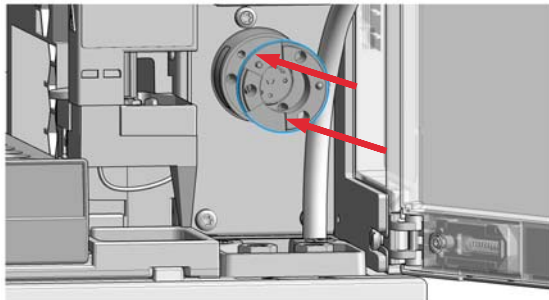
NOTE

Make sure that the rotor sealing surface with its engraved flow passages is facing out. The pattern is asymmetrical to prevent improper placement.

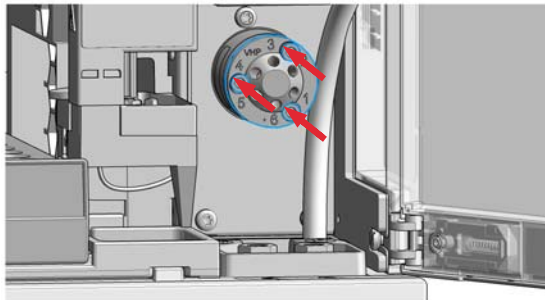
Maintenance

Exchange the Rotor Seal

- 7 Install the stator ring with the short of the two pins facing towards you at the 12 o'clock position. Ensure the ring sits flat on the valve body.



- 8 Install the stator head. Tighten the bolts alternately two turns at a time until the stator head is secure.



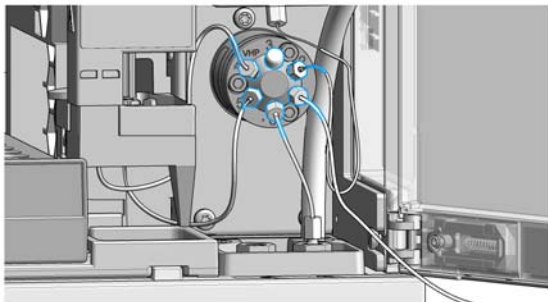
NOTE

Do not over-tighten the screws. The screws hold the assembly together and do not affect the sealing force. The sealing force is automatically set as the screws close the stator head against the valve body.

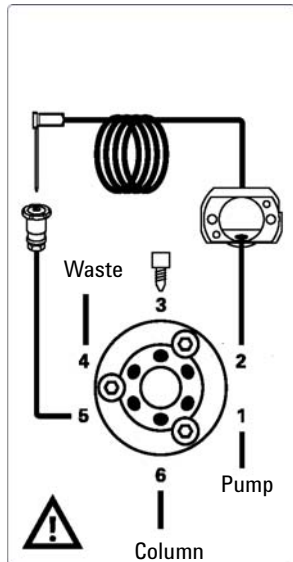
Maintenance

Exchange the Rotor Seal

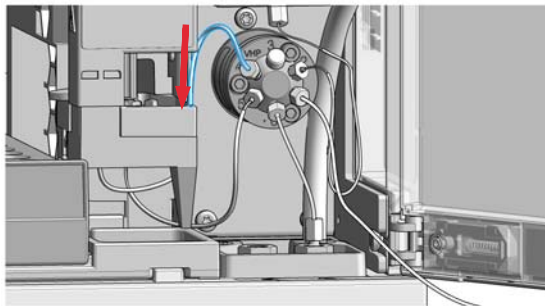
9 Reconnect the capillaries and tubes to the valve ports.



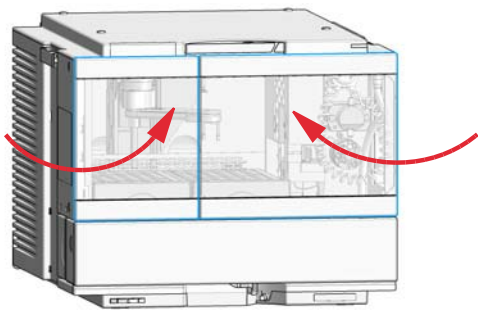
The correct plumbing is shown below and on the safety cover of the module.



10 Slide the waste tube into the waste holder in the leak tray.



11 Close the doors.



12 Perform a **System Pressure Test**.

Exchange the Metering Seal and Piston

- When**
- Injection volume reproducibility problems are observed
 - Leaks or blockages are observed.
 - The limit for the metering seal EMF counter is exceeded.
 - The metering seal needs to be replaced as part of the yearly maintenance.

Tools required	p/n	Description
	8710-0510	Open-end wrench 1/4 – 5/16 inch
	8710-2392	4 mm Hex key
	8710-2411	3 mm Hex key, 12 cm long
	01018-23702	Insert tool
		Cleaning tissue and appropriate solvent like isopropanol or methanol

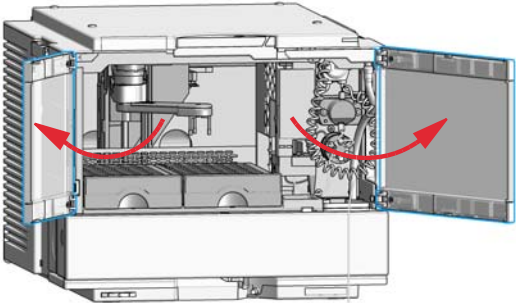
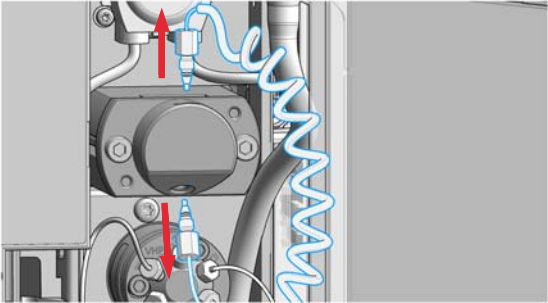
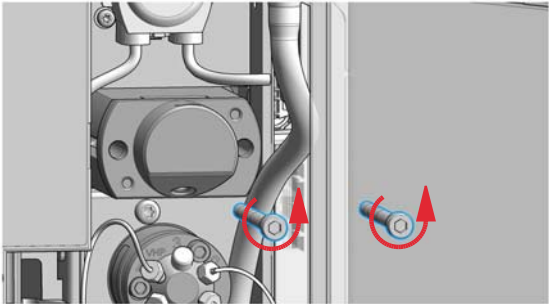
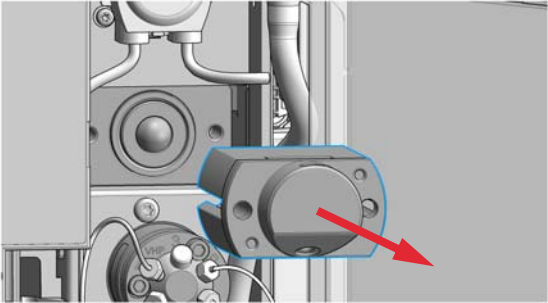
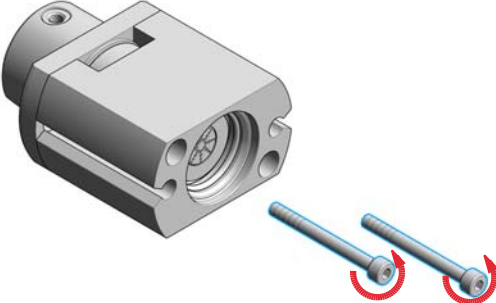
Parts required	p/n	Description
	0905-1717	Metering Seal, 40 µL
OR	0905-1503	Metering Seal, 100 µL
OR	0905-1294	Metering Seal, 900 µL
	5067-5920	Piston, 40 µL, Zirconia for 40 µL analytical head
OR	5067-5678	Piston, 100 µL, Zirconia for 100 µL analytical head
OR	G4267-60462	Piston, 900 µL, Sapphire

- Preparations**
- Finish any pending acquisition job.
 - Stop the flow at the pump and remove the solvent lines from the eluent bottles to avoid spilling solvent.
 - Close the shutoff valves at the pump if available.

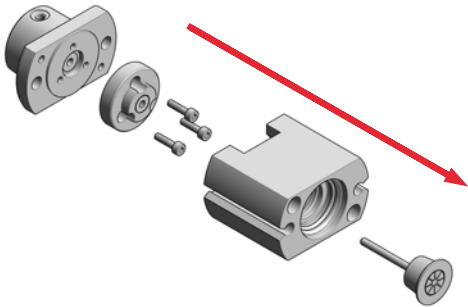
NOTE

When the instrument setup has changed, configure the new setup in the online view of the Chromatographic Data System. See [Table 15](#) on page 155.

Exchange the Metering Seal and Piston

<p>1 In the Agilent Lab Advisor software, select Service & Diagnostics> Maintenance Positions> Change Metering Seal and Piston, click Start and wait until the metering plunger is in maintenance position.</p> <p>OR</p> <p>In the Local Controller start the maintenance mode and select Change Metering Device function.</p>	<p>2 Open the doors of the module.</p> 
<p>3 Disconnect the two capillaries from the metering device.</p> 	<p>4 Remove the two fixing bolts.</p> 
<p>5 Remove the metering head assembly from the sampler.</p> 	<p>6 Remove the two fixing bolts from the base of the metering head assembly.</p> 

7 Disassemble the metering head assembly.

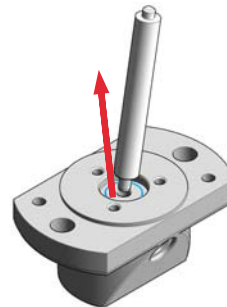


NOTE

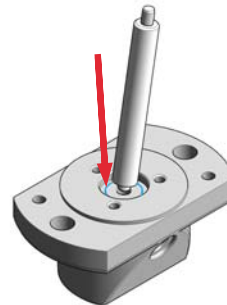
The internal construction slightly differs for the 900 μ L analytical head (refer to [Figure 46](#) on page 296).

9 Clean the chamber with lint-free cloth and an appropriate solvent. Ensure all particulate matter is removed.

8 Use a seal insert tool to carefully remove the seal.



10 Use the plastic side of the insert tool to install the new seal. Press the seal firmly into position.



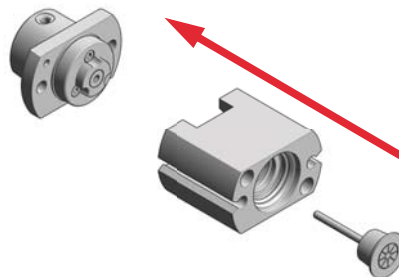
- 11** Place the seal support ring on top of the seal and fix the screws.

NOTE

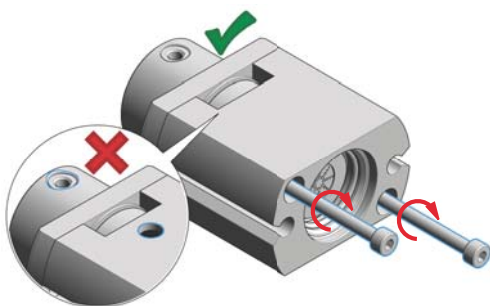
There are no seal support screws for the 900 μ L analytical head.



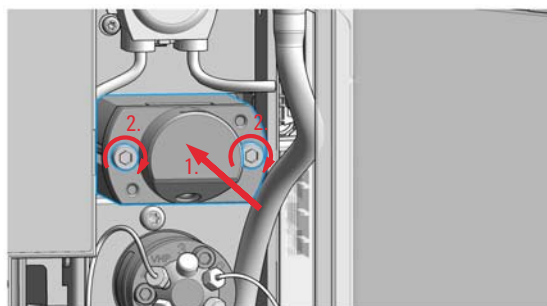
- 12** Reassemble the metering head assembly. Carefully insert the piston into the base.



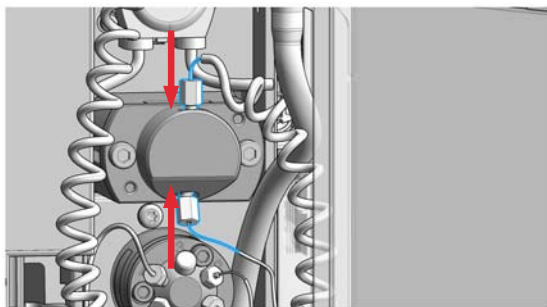
- 13** Install the fixing bolts and tighten them alternately two turns at a time until the stator head is secure. The side without the drain hole must be matching with the capillary port sitting on the non-truncated side of the analytical head.



- 14** Install the metering head assembly in the autosampler. Ensure that the drain hole of the metering body is facing downwards. Tighten the bolts alternately two turns at a time until the metering device is secure.



- 15** Reinstall the capillaries.

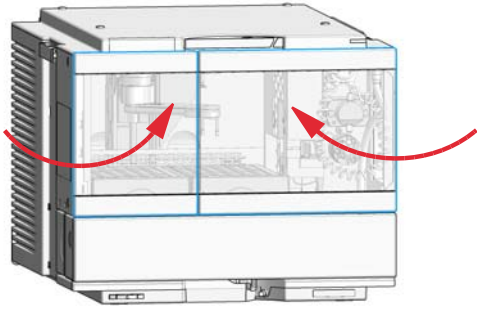


- 16** In Lab Advisor, select **Next** to move the piston back into its normal position and then **Back** to finish the maintenance procedure.

OR

In the Local Controller, select **Continue** to move the piston back into its normal position and then **Exit** to finish the maintenance procedure.

17 Close the doors.



18 Perform a **System Pressure Test**.

Replace the Analytical Heads

When The maximum injection volume needs to be changed.

Tools required

p/n	Description
8710-0510	Open-end wrench 1/4 – 5/16 inch

Parts required

#	p/n	Description	
1	G7129-60084	Analytical Head Assembly 40 µL	
OR	1	G7129-60082	Analytical Head Assembly 100 µL
OR	1	G7129-60083	Analytical Head Assembly 900 µL

Preparations

- Finish any pending acquisition job.
- Stop the flow at the pump and remove the solvent lines from the eluent bottles to avoid spilling solvent.
- Close the shutoff valves at the pump if available.

NOTE

If the sampler with 900 µL metering device is linked to a 1260 pump, such as the G7112B Binary Pump, the 400 bar pressure limit must be set manually in the method parameter settings of the pump (see *Setup of Basic Pump Parameters* chapter in the pump user manual). For all 1290 pumps, the pressure limit will be set automatically.

NOTE

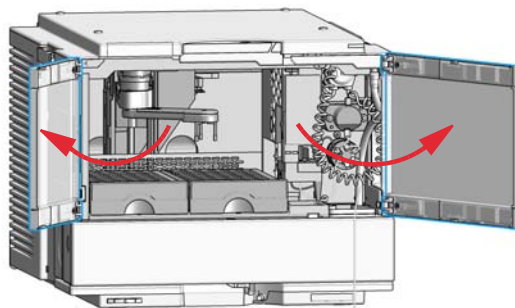
When the instrument setup has changed, configure the new setup in the online view of the Chromatographic Data System. See [Table 15](#) on page 155.

1 In the Agilent Lab Advisor software, select **Service & Diagnostics > Maintenance Positions > Change Metering Seal and Piston**, click **Start** and wait until the metering plunger is in maintenance position.

OR

In the Local Controller start the maintenance mode and select **Change Metering Device** function.

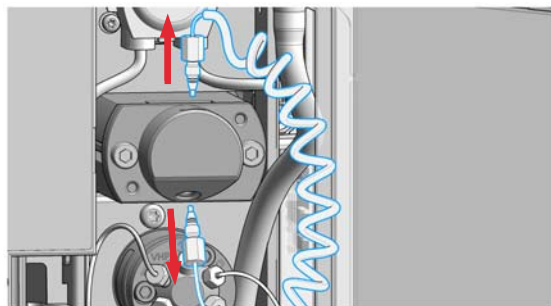
2 Open the doors of the module.



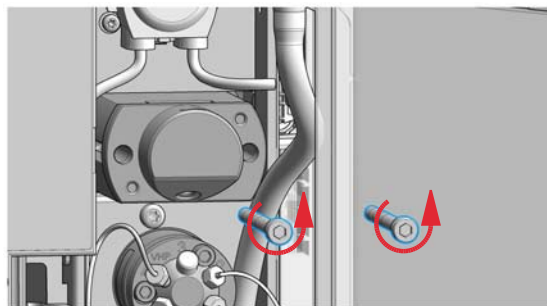
Maintenance

Replace the Analytical Heads

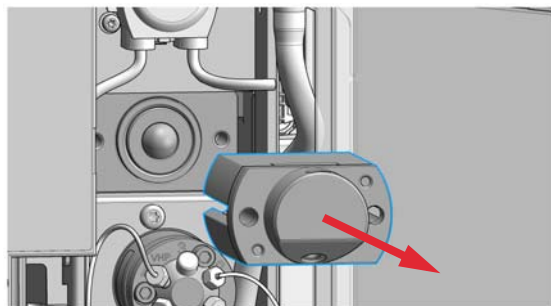
- 3 Disconnect the two capillaries from the metering device.



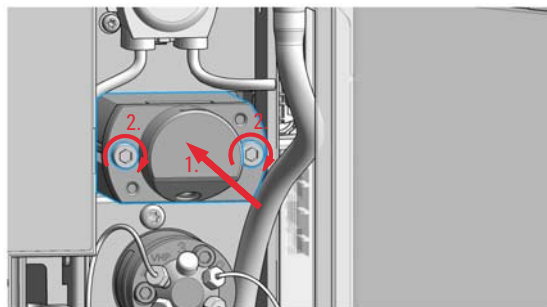
- 4 Remove the two fixing bolts.



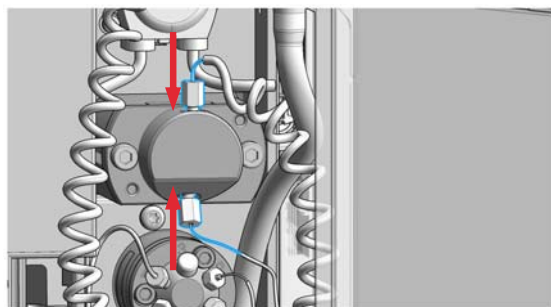
- 5 Remove the metering head assembly from the sampler.



- 6 Install the metering head assembly in the autosampler. Ensure that the drain hole of the metering body is facing downwards. Tighten the bolts alternately two turns at a time until the metering device is secure.



- 7 Reinstall the capillaries.



- 8 In Lab Advisor, select **Next** to move the piston back into its normal position and then **Back** to finish the maintenance procedure.

OR

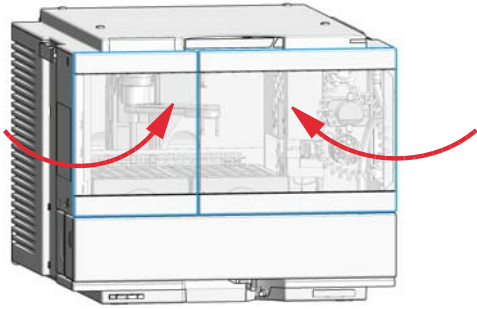
In the Local Controller, select **Continue** to move the piston back into its normal position and then **Exit** to finish the maintenance procedure.

- 9 Select **Back** to finish the procedure.

Maintenance

Replace the Analytical Heads

10 Close the doors.



Next Steps:

11 Perform a **System Pressure Test**.

12 If needed, install a sample loop matching the volume of the new analytical head (see "Exchange the Sample Loop Assembly" on page 241).

Exchange the Gripper Arm

When The gripper arm needs to be replaced due to malfunctioning.

Tools required	p/n	Description
	5023-2499	Hex Key Set (The 1.5 mm hex key is needed)

Parts required	p/n	Description
	G1313-60010	Gripper assembly

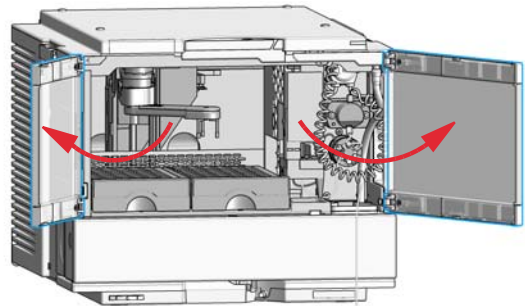
Preparations Finish any pending acquisition job

NOTE

Alternatively, any other tool or item can be used that can be fitted into the block position slot of the transport arm (for example, a straightened paper clip, or a small-sized screwdriver).

- 1 In the Agilent Lab Advisor software, select **Service & Diagnostics> Maintenance Positions> Change Gripper** and wait until the gripper is in maintenance position (see also "Maintenance Positions" on page 179).
OR
In the Local Controller start the maintenance mode and select **Change Gripper** function.

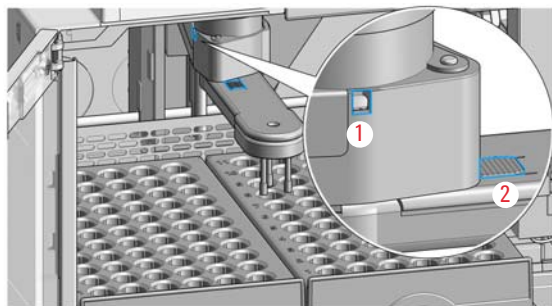
- 2 Open the doors of the module.



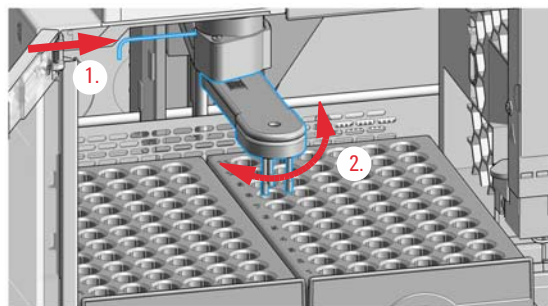
Maintenance

Exchange the Gripper Arm

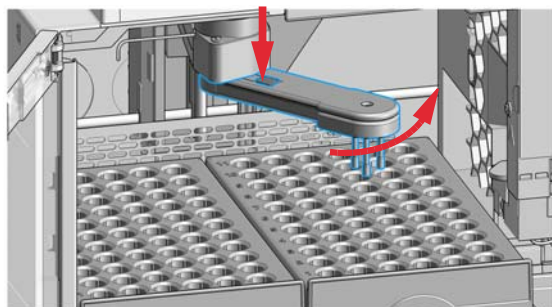
- 3** Identify the slot for blocking the gripper arm rotation on the left side of the transport arm (1) and the gripper arm release button (2).



- 4** Place the hex key (1.5 mm) into the slot and rotate the gripper arm slightly to the left or right until you find the block position.

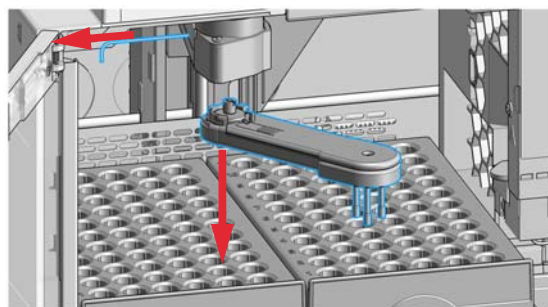


- 5** Press in the gripper arm release button and carefully rotate the gripper arm approximately 40 – 50 ° to the right, while firmly holding the hex key in place.



You should feel that the lock mechanism releases the gripper arm.

- 6** Remove the gripper arm and the hex key.



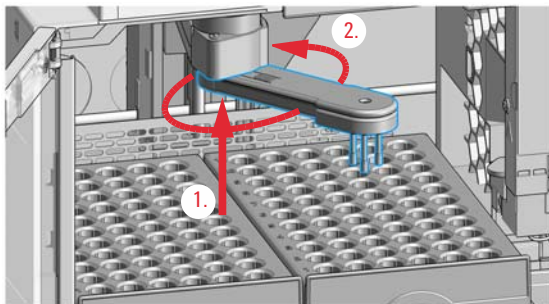
NOTE

With firmware version D.07.28 or older, it is recommended to turn off the sampler to complete the rest of the procedure.

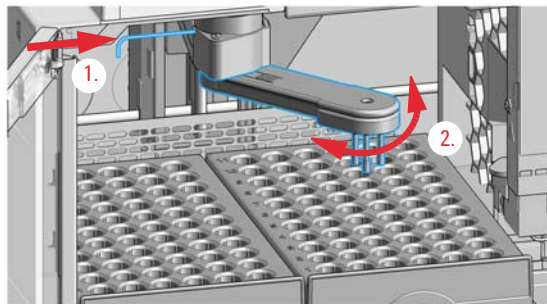
Maintenance

Exchange the Gripper Arm

- 7** Fit the new gripper arm into the socket of the transport arm (1.) and rotate it by 360° while firmly holding it against the transport arm (2.) to find the matching position for the lock mechanism.



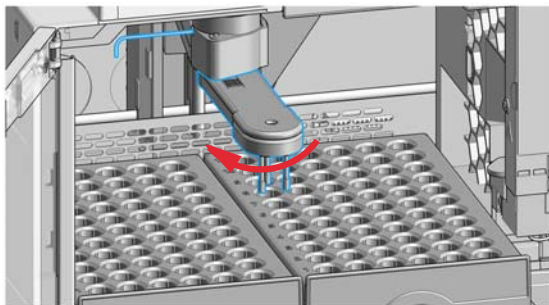
- 8** Place the hex key back into the slot (1.) and rotate the gripper arm slightly to the left or right until you find the block position (2.).



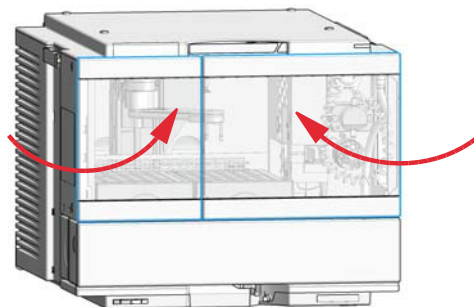
NOTE

The gripper arm orientation is slightly different compared to before taking it off.

- 9** Rotate the gripper arm approximately 40 – 50° to the left while firmly holding the hex key in place to snap it into the lock position.



- 10** Remove the hex key from the block position slot and close the instrument doors.



NOTE

With firmware version D.07.28 or older, turn on the sampler and wait until it initializes.

- 11** Complete the remaining steps prompted in the user interface of the Local Controller or the Agilent Lab Advisor software.

Replace the Peristaltic Pump Cartridge

- When**
- The tubing is blocked or damaged
 - The peristaltic cartridge needs to be replaced as part of the yearly maintenance.

Parts required	p/n	Description
	5065-4445	Peristaltic pump with Pharmed tubing

- Preparations**
- Finish any pending acquisition job.
 - Remove the solvent line from the wash bottle to avoid spilling solvent.

WARNING

When opening capillary or tube fittings solvents may leak out.

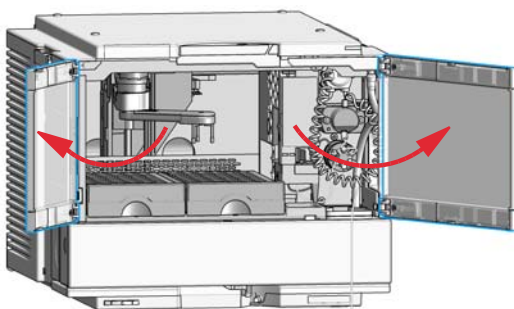
The handling of toxic and hazardous solvents and reagents can hold health risks.

- ✓ Please observe appropriate safety procedures (for example, goggles, safety gloves and protective clothing) as described in the material handling and safety data sheet supplied by the solvent vendor, especially when toxic or hazardous solvents are used.

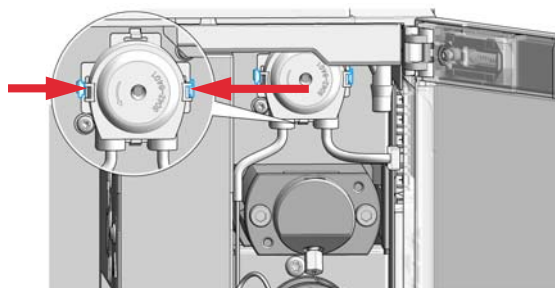
NOTE

The peristaltic pump cartridge must be replaced as a single entity. The Pharmed tubing is not replaceable separately.

1 Open the doors of the module.

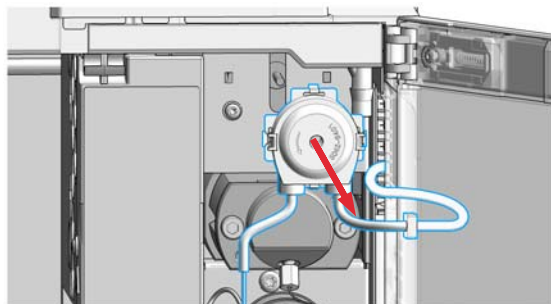


2 Press the two clips on the front of the peristaltic pump cartridge.

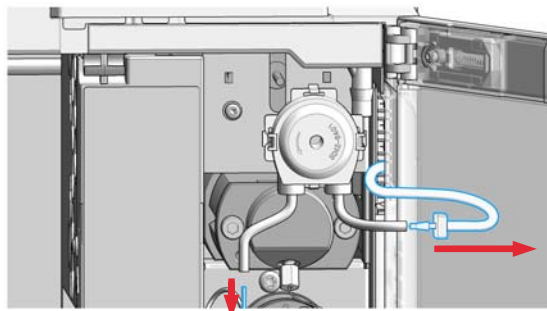


Replace the Peristaltic Pump Cartridge

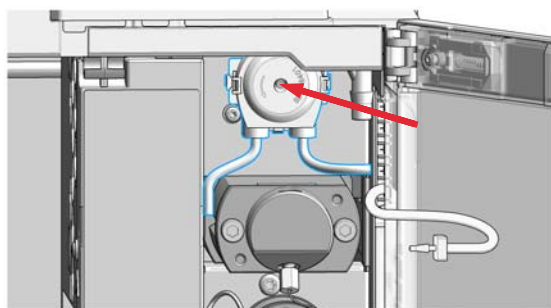
- 3 Pull the cartridge forward off the motor shaft.



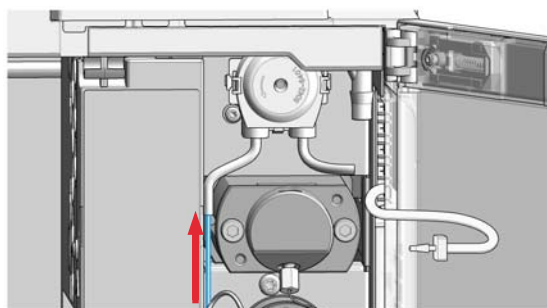
- 4 Disconnect the tubing leading to the wash port and the tubing coming from the solvent bottle.



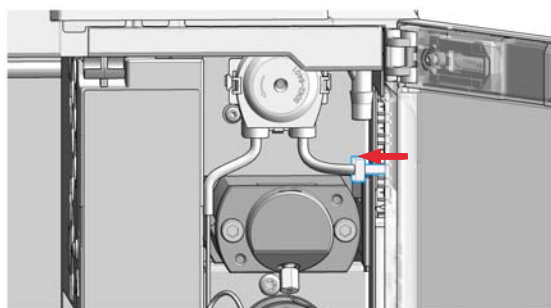
- 5 Push the new cartridge onto the motor shaft until the clips click into place.



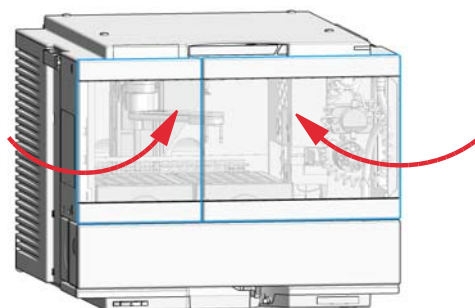
- 6 Connect the wash port tubing to the left side of the cartridge tubing (use sand paper to get a good grip on the tubing).



- 7 Connect the wash solvent line with the plastic fitting to the right side of the cartridge tubing.



- 8 Close the doors.



Exchange the Wash Port Assembly

- When**
- The safety wash port is broken or damaged.
 - Carryover problems are observed while needle wash is used.

Tools required	p/n	Description
	5182-3466	Torx screwdriver T10
OR	5023-3089	Torx key set
 Parts required	 p/n	 Description
	G7129-60033	Safety Wash Port for Needle Station

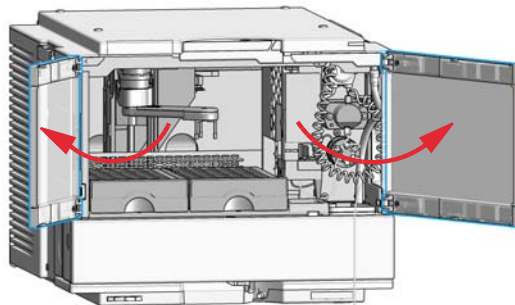
- Preparations**
- Finish any pending acquisition job.
 - Stop the flow at the pump and remove the solvent lines from the eluent bottles to avoid spilling solvent.
 - Close the shutoff valves at the pump if available.

1 In the Agilent Lab Advisor software select **Service & Diagnostics> Maintenance Positions> Change Needle, Loop and Seat**, click **Start** and wait until the needle assembly is in maintenance position.

OR

In the Local Controller start the maintenance mode and select **Change Needle, Loop and Seat** function.

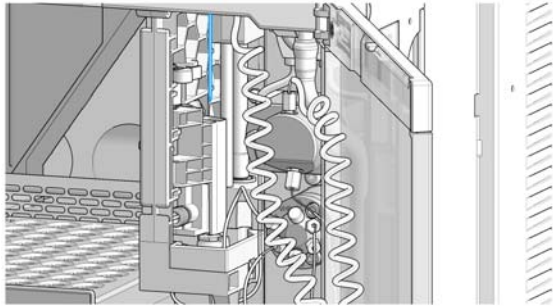
2 Open the doors of the module.



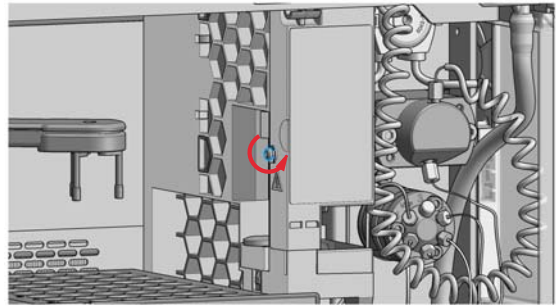
Maintenance

Exchange the Wash Port Assembly

- 3 Verify that the needle in the uppermost position before continuing.



- 4 Loosen the safety cover screw.

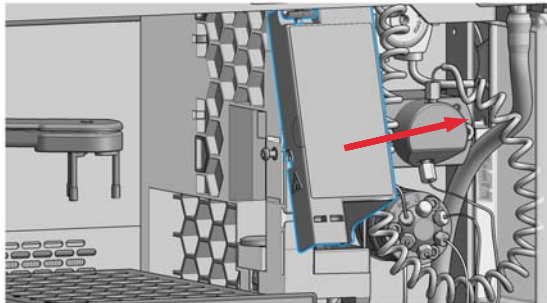


WARNING

Sharp needle
Uncovered needles may cause injuries

- ✓ Do not touch the tip of the needle.

- 5 Remove the safety cover.



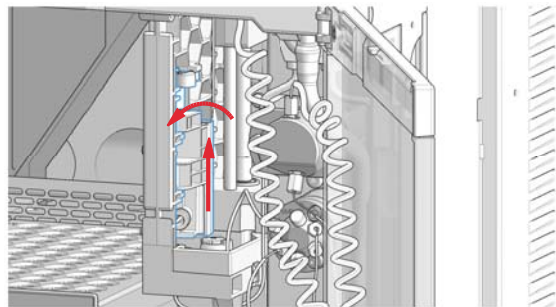
WARNING

Sharp needle
Uncovered needles may cause injuries.

- ✓ Do not change the needle seat at this point.

- ✓ Do not touch the tip of the needle.

- 6 Move the wash port into the service position by slightly lifting it up and then flapping to the left.



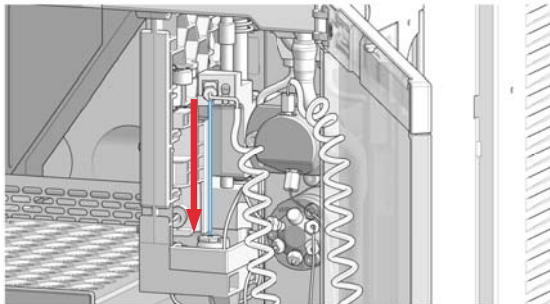
Maintenance

Exchange the Wash Port Assembly

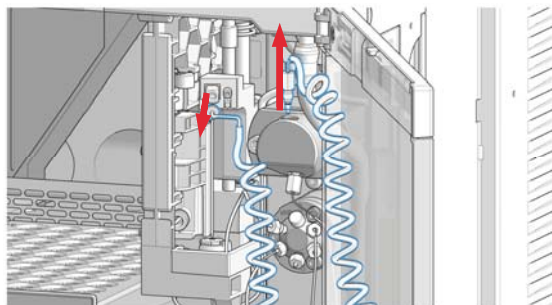
7 In Lab Advisor use **Next** to move the needle in the down position (ca. 2 mm above the seat).

OR

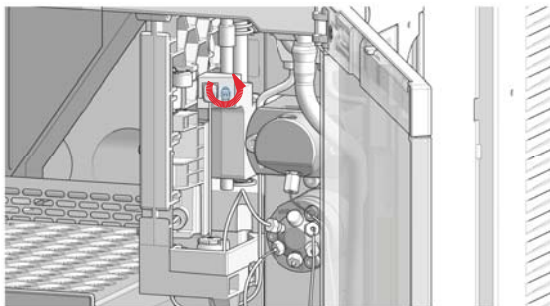
In the Local Controller, move the needle down until the needle tip is ca. 2 – 4 mm above the seat.



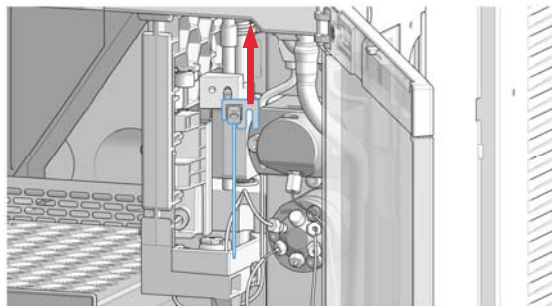
8 Disconnect the sample loop from the needle, and, if needed, also from the metering device.



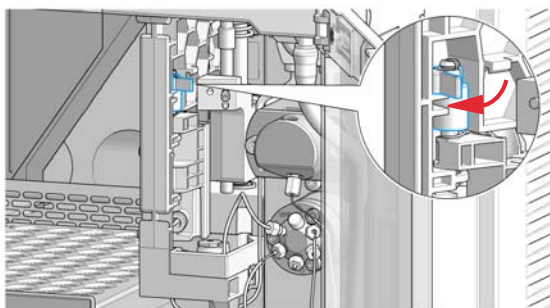
9 Loosen the fixing screw.



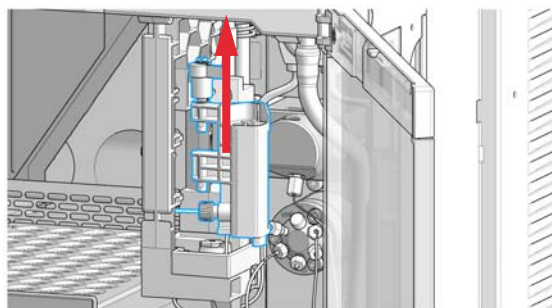
10 Lift out the needle.



11 Release the spring loaded pin.



12 Flap the wash port to the right and lift it out of the bracket. Be careful not to squeeze the wash tubing.



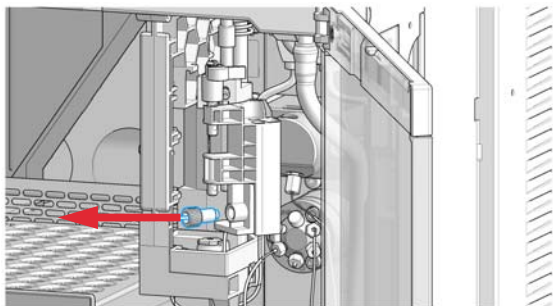
NOTE

Move the needle holder arm up by a couple of mm if you are facing difficulties with moving the wash port to the right.

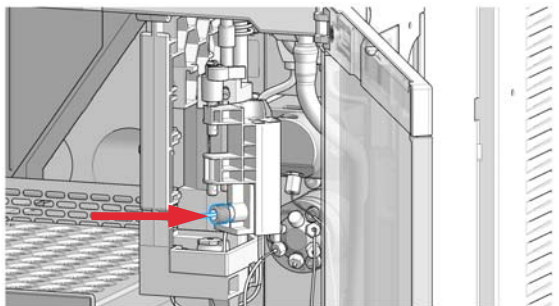
Maintenance

Exchange the Wash Port Assembly

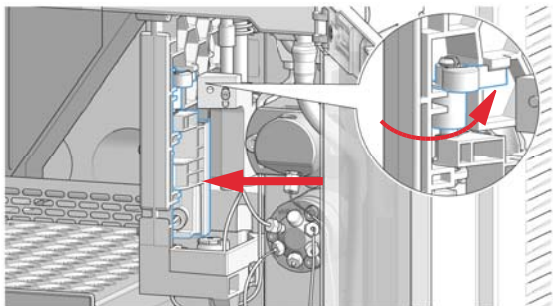
- 13** Disconnect the wash tube fitting and then move the old wash port completely out of the sampler.



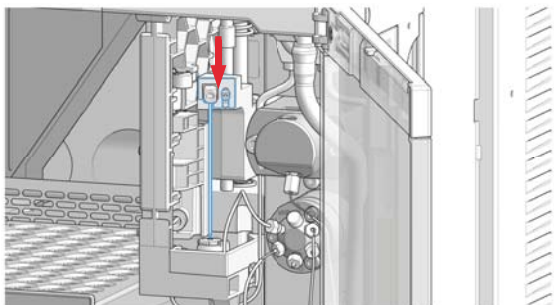
- 14** Connect the wash tubing fitting to the new wash port assembly.



- 15** Install the new wash port by mounting it in the respective brackets of the needle station housing. The pin must be latched on the housing. Check the movement of the flapping mechanism. Check if the tension on the spring is high enough to move the wash port back into position in time. When everything seems to be in order, move the wash port into the service position (see step 6).



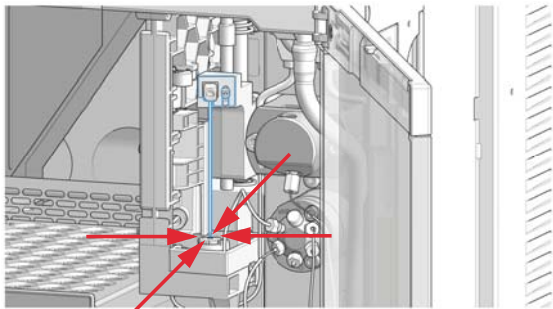
- 16** Mount and align the needle on its fixture, then tighten the screw firmly.



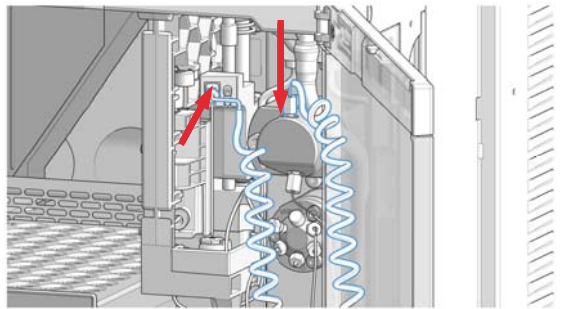
Maintenance

Exchange the Wash Port Assembly

- 17** Align the needle tip with the seat and ensure that they are concentric. If needed, carefully bend the needle into the right position with your fingers.



- 18** Reconnect the sample loop to the needle. Make sure of the correct positioning of the loop capillary, the uncoiled part of the capillary must be horizontal.



NOTE

Do not overtighten the fitting!

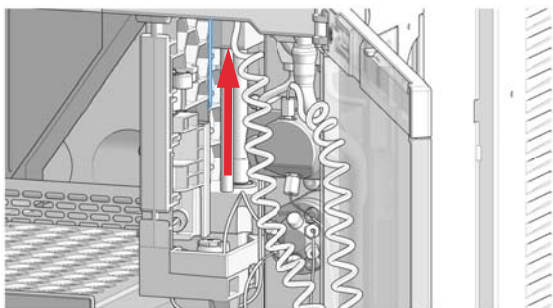
NOTE

Incorrect positioning and installation of the needle/loop connection can result in damaging or breaking the sample loop.

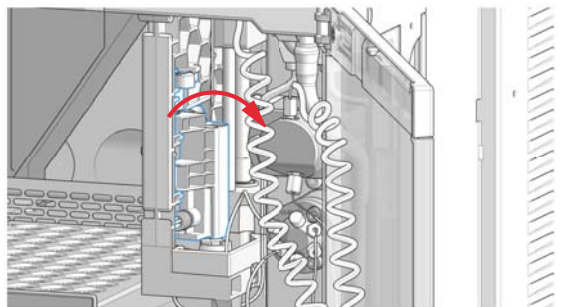
- 19** In Lab Advisor use **Next** to lift the needle slowly into the up position.

OR

In the Local Controller, move the needle up to the uppermost position.



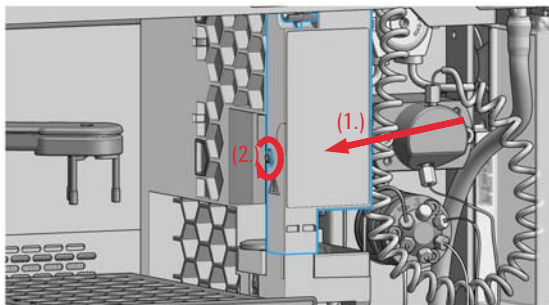
- 20** Move the wash port back into its normal position by turning it to the right.



Maintenance

Exchange the Wash Port Assembly

21 Install the safety cover (1.) and fix the screw (2.).



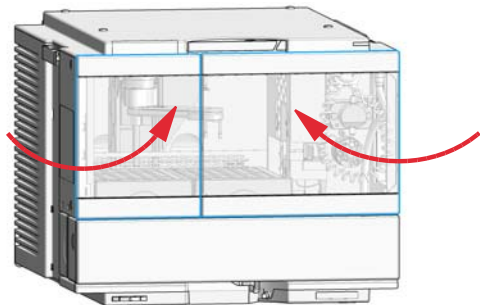
22 In Lab Advisor, select **Next** to move the needle into the needle seat and then **Back** to finish the maintenance procedure.

OR

In the Local Controller, select **Continue** to move the needle into the needle seat and then **Exit** to finish the maintenance procedure.

23 Select **Back** to finish the procedure.

24 Close the doors.



Next Steps:

25 Purge the wash port. Check if solvent is delivered from the peristaltic pump.

26 Perform a **System Pressure Test**.

Replace the Module Firmware

When	<p>The installation of newer firmware might be necessary</p> <ul style="list-style-type: none"> • if a newer version solves problems of older versions or • to keep all systems on the same (validated) revision. <p>The installation of older firmware might be necessary</p> <ul style="list-style-type: none"> • to keep all systems on the same (validated) revision or • if a new module with newer firmware is added to a system or • if third party control software requires a special version. 				
Tools required	<p>Description</p> <p>Agilent Lab Advisor software</p>				
Parts required	<table> <thead> <tr> <th>#</th> <th>Description</th> </tr> </thead> <tbody> <tr> <td>1</td> <td>Firmware, tools and documentation from Agilent web site</td> </tr> </tbody> </table>	#	Description	1	Firmware, tools and documentation from Agilent web site
#	Description				
1	Firmware, tools and documentation from Agilent web site				
Preparations	<p>Read update documentation provided with the Firmware Update Tool.</p> <p>To upgrade/downgrade the module's firmware carry out the following steps:</p> <ol style="list-style-type: none"> 1 Download the required module firmware, the latest FW Update Tool and the documentation from the Agilent web. http://www.agilent.com/en-us/firmwareDownload?whid=69761 2 For loading the firmware into the module follow the instructions in the documentation. <p><i>Module Specific Information</i></p> <p>There is no specific information for this module.</p>				

Replace the Sample Cooler/Sample Thermostat

When If the Sample Cooler/Sample Thermostat is damaged or defective.

Tools required	p/n	Description
	8710-0899	Screwdriver Pozidrive Shaft (for the Sample Cooler)
	5182-3466	Torx screwdriver T10 (for the Sample Thermostat)
OR	5023-3089	Torx key set

Parts required	#	p/n	Description
	1	G7167-60005	Sample Cooler
OR	1	G7167-60101	Sample Thermostat

For the Sample Cooler installation in a Vialsampler the serial number of the Sample Cooler must be DEBAT02001 or higher.

WARNING

Flammable refrigerant

Formation of flammable gas-air mixtures inside the Sample Thermostat and laboratory.

- ✓ Keep open fire or sources of ignition away from the device.
- ✓ Ensure a room size of 4 m³ (1 m³ for every 8 g of R600a refrigerant inside of the Sample Thermostat).
- ✓ Ensure adequate ventilation: typical air exchange of 25 m³/h per m² of laboratory floor area.
- ✓ Keep all ventilation openings in the enclosure clear of obstructions. Do not block the openings on the circumference of the Sample Thermostat.

WARNING

Flammable refrigerant used

- ✓ When handling, installing and operating the Sample Thermostat, care should be taken to avoid damage to the refrigerant tubing or any part of the Sample Thermostat.

WARNING

In the event of a damage

- ✓ Keep open fire or sources of ignition away from the device.
 - ✓ Ventilate the room for several minutes.
 - ✓ Do not use the Sample Thermostat any more.
-

WARNING

Heavy weight

The module is heavy.

- ✓ Carry the module at least with 2 people.
 - ✓ Avoid back strain or injury by following all precautions for lifting heavy objects.
 - ✓ Ensure that the load is as close to your body as possible.
 - ✓ Ensure that you can cope with the weight of your load.
-

CAUTION

Routing of the condensation tubing

Proper routing of the condensation tubing is critical for correct condensate drainage.

- ✓ Do not place the sampler directly on the bench.
-

CAUTION

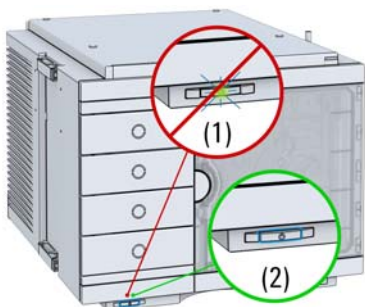
Condensate inside the cooler or thermostat

Damage to the electronics

- ✓ Unplug the power cords.
 - ✓ Drain off all condensate before dismantling the sample cooler or thermostat.
 - ✓ Make sure that there is no condensate left.
-

Replace the Sample Cooler/Sample Thermostat

- 1 Ensure that the power switch on the front of the module is OFF (switch stands out).



- 2 Disconnect the power cable from the sampler.

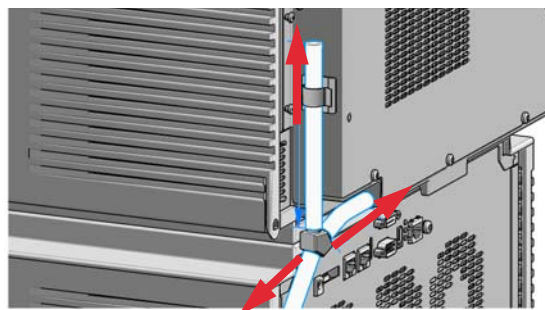


- 3 Ensure that no condensate remains inside the cooler/thermostat before proceeding forward.

NOTE

Gently tapping on the sides of the sampler can help to remove the last traces of condensate from the system.

- 4 Remove the condensate tubing.

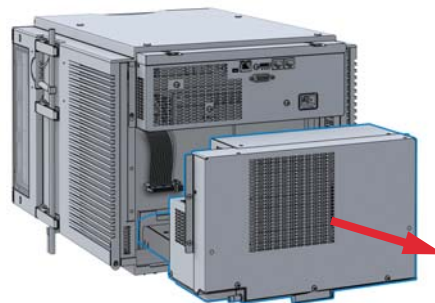
**NOTE**

If there is still some condensate inside the cooler/thermostat, place a suitable container underneath the outlet pipe and keep tapping on the sides of the sampler until no water is coming out.

- 5 Remove the fixation screws on the back of Sample Cooler/Sample Thermostat.

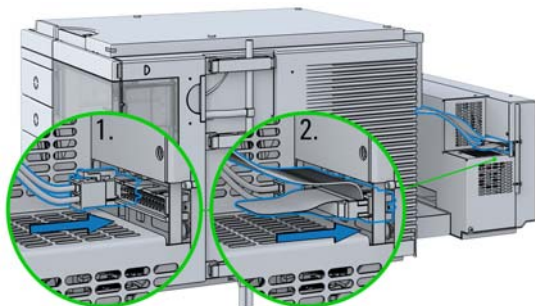


- 6 Pull the cooler/thermostat halfway out, disconnect the power and the data cable and then remove the unit completely from the sampler.



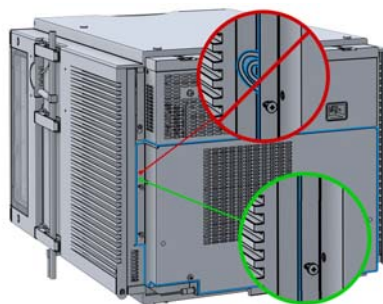
Replace the Sample Cooler/Sample Thermostat

- 7 Slide the new cooler/thermostat halfway into the sampler and connect the power and the data cable.

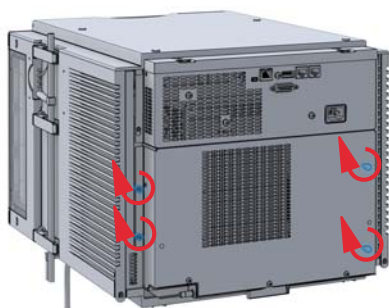
**CAUTION****Damage to the cables**

- ✓ Do not bend or pinch the cables.
- ✓ Make sure that the Sample Cooler/Sample Thermostat fits perfectly in the sampler.

- 8 Slide the cooler/thermostat all the way into the sampler, making sure that the cables don't get jammed between the metal parts.



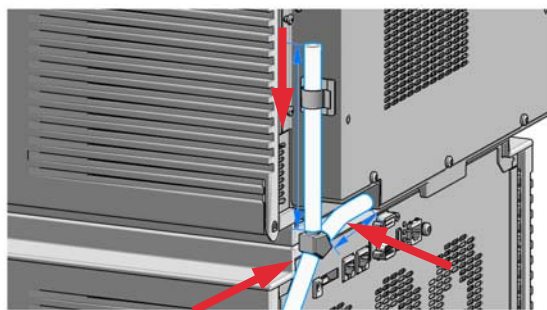
- 9 Fix the unit with the four screws.



- 10 Reconnect the condensate tubing.

NOTE

For information on proper condensate handling, see "Install the Sample Cooler/Sample Thermostat" on page 117.



Replace the Sample Cooler/Sample Thermostat

- 11 Connect the power cable to the power connector at the rear of the module.

**CAUTION****Damage to the Sample Cooler/Sample Thermostat**

✓ Wait at least 30 min before switching on the compressor of the cooler/thermostat.

✓ This allows the refrigerant and system lubrication to reach equilibrium.

- 12 Switch on the sampler and perform the **Sample Cooler Function Test** to verify the correct functioning of the new cooler/thermostat (see "Sample Cooler Function Test" on page 187).

9

Parts and Materials for Maintenance

Standard Parts For Maintenance	276
PM Kits	276
Needle Assemblies	276
Needle Seats	276
Sample Loops	277
Rotor Seals for Injection Valves	277
Metering Seals for Analytical Heads	277
Capillary Connections	278
Other Parts	278
Accessory Kits	279
Accessory Kit for 1290 Infinity II Vialsampler	279
Accessory Kit for 1260 Infinity II Vialsampler	281
Vial Drawers and Trays	283
Cartesian Vial Drawers	283
Classic Vial Drawers	284
External Tray	285
Multidraw Kits	286
Multidraw Kit	286
Large Volume Injection Kit	286
Sample Thermostat Upgrade	287
Integrated Column Compartment	288
Column ID Upgrade Kit	289
Parts for 900 μ L Injection Upgrade	290
Cabinet and Door Kits	291
Cabinet Kit	291
Door Kit	293
Door Insulation Kit	294
Analytical Head Assembly (100 μ L)	295
Analytical-Head Assembly (900 μ L)	296
Analytical Head Assembly (40 μ L)	297
2 Position/6 Port Injection Valve, 600 bar	298
2 Position/6 Port Injection Valve, 800 bar	299
2 Position/6 Port Injection Valve, 1300 bar	300

This chapter provides information on parts for maintenance.

Standard Parts For Maintenance

PM Kits

p/n	Description
G7129-68740	PM Kit 1260 Inf. II Vialsampler includes needle assembly, needle seat assembly, peristaltic pump cartridge, rotor seal and finger caps.
G7129-68730	PM Kit 1290 Inf. II Vialsampler includes needle assembly, needle seat assembly, peristaltic pump cartridge, rotor seal and finger caps.

Needle Assemblies

p/n	Description
G7129-87200	Needle assembly, 1260 Vialsampler for G7129-87017 needle seat
G7129-87201	Needle assembly, 1290 Vialsampler for G7129-87012 needle seat
G7129-87202	Needle assembly, slotted, for high injection volumes

Needle Seats

p/n	Description
G7129-87017	Seat Assembly, 1260 Vialsampler, PEEK, 0.17 mm
G7129-87012	Seat Assembly, 1290 Vialsampler, PEEK, 0.12 mm
G7129-87117	Seat Assembly, 1260 Vialsampler, Vespel, 0.17 mm
G7129-87112	Seat Assembly, 1290 Vialsampler, Vespel, 0.12 mm

NOTE

The use of a Vespel needle seat (G7129-87112 and G7129-87117) limits the maximum system pressure to 600 bar.

Sample Loops

p/n	Description
G7129-60500	Sample Loop 100 µL (white coded)
G7129-60400	Sample Loop 40 µL (green coded)
G7129-60300	Sample Loop 20 µL (red coded)

Rotor Seals for Injection Valves

p/n	Description
0101-1416	Rotor Seal, PEEK, 600/800 bar
5068-0007	Rotor Seal, Vespel, 1300 bar

Metering Seals for Analytical Heads

p/n	Description
0905-1503	Metering Seal, 100 µL
0905-1717	Metering Seal, 40 µL
0905-1294	Metering Seal, 900 µL

Capillary Connections

p/n	Description
5500-1246	Capillary ST 0.17 mm x 500 mm SI/SI (pump to Vialsampler without ICC)
5500-1217	Capillary, ST, 0.17 mm x 900 mm SI/SX (pump to Vialsampler with ICC)
5500-1252	Capillary, ST, 0.17 mm x 400 mm SL/SL (1260 Vialsampler to MCT)
5500-1240	Capillary ST 0.17 mm x 105 mm SL/SL (ICC, 6 µL to column)
5500-1251	Capillary ST 0.12 mmX 400 mm SL/SL (1290 Vialsampler to MCT)
5500-1238	Capillary ST 0.12 mm x 105 mm SL/SL (ICC, 3 µL to column)
5500-1250	Capillary, ST, 0.17 mm x 120 mm SL/SL, long socket (1260 Vialsampler to ICC, 6 µL)
5500-1249	Capillary ST 0.12 mm x 120 mm SL/SL, long socket (1290 Vialsampler to ICC, 3 µL)
5067-5966	InfinityLab Quick Turn Fitting
5067-6166	InfinityLab Quick Connect Assy ST 0.17 mm x 105 mm (alternative, ICC, 6 µL to column)
5067-5957	InfinityLab Quick Connect Assy ST 0.12 mm x 105 mm (alternative, ICC, 3 µL to column)
5500-1228	Capillary ST 0.3 mm x 80 mm SL-SL (metering head to injection valve)

Other Parts

p/n	Description
G1313-60010	Gripper assembly
5063-6506	Finger Caps
5065-4445	Peristaltic pump with Pharmed tubing

Accessory Kits

Accessory Kit for 1290 Infinity II Vialsampler

Accessory Kit for 1290 Infinity II Vialsampler (G7129-68705) contains the following parts:

Item	#	p/n	Description
1	1	5500-1251	Capillary ST 0.12 mmX 400 mm SL/SL
2	3	5063-6506	Finger Caps (15/pk, if ordered separately)
3	2	5043-1013	Tubing Clip
4	1	5500-1411	Tubing Connector, 180 °, ID 6.4 mm (5/pk, if ordered separately)
5	2	5500-1223	Tubing Connector, 90°, ID 6.4 mm (5/pk, if ordered separately)
6	1	5063-6527	Tubing, Silicon Rubber, 1.2 m, ID/OD 6/9 mm
7	1	5181-1519	CAN cable, Agilent module to module, 1 m
	1	5182-0716	Screw Cap Vial, 2 mL, amber glass, write-on spot, 100/Pack (not shown)
	1	5190-7024	Screw Cap, PTFE/silicone, 100/pk (not shown)

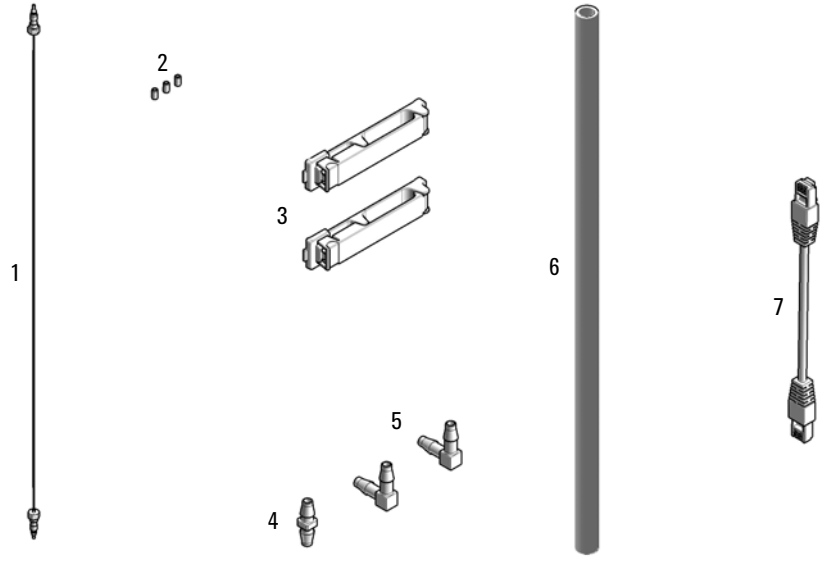


Figure 34 Accessory Kit for Vialsamplers

Accessory Kit for 1260 Infinity II Vialsampler

Accessory Kit for 1260 Infinity II Vialsampler (G7129-68715) contains the following parts:

Item	#	p/n	Description
1	1	5500-1252	Capillary, ST, 0.17 mm x 400 mm SL/SL
2	3	5063-6506	Finger Caps (15/pk, if ordered separately)
3	2	5043-1013	Tubing Clip
4	1	5500-1411	Tubing Connector, 180 °, ID 6.4 mm (5/pk, if ordered separately)
5	2	5500-1223	Tubing Connector, 90°, ID 6.4 mm (5/pk, if ordered separately)
6	1	5063-6527	Tubing, Silicon Rubber, 1.2 m, ID/OD 6/9 mm
7	1	5181-1519	CAN cable, Agilent module to module, 1 m
	1	5182-0716	Screw Cap Vial, 2 mL, amber glass, write-on spot, 100/Pack (not shown)
	1	5190-7024	Screw Cap, PTFE/silicone, 100/pk (not shown)

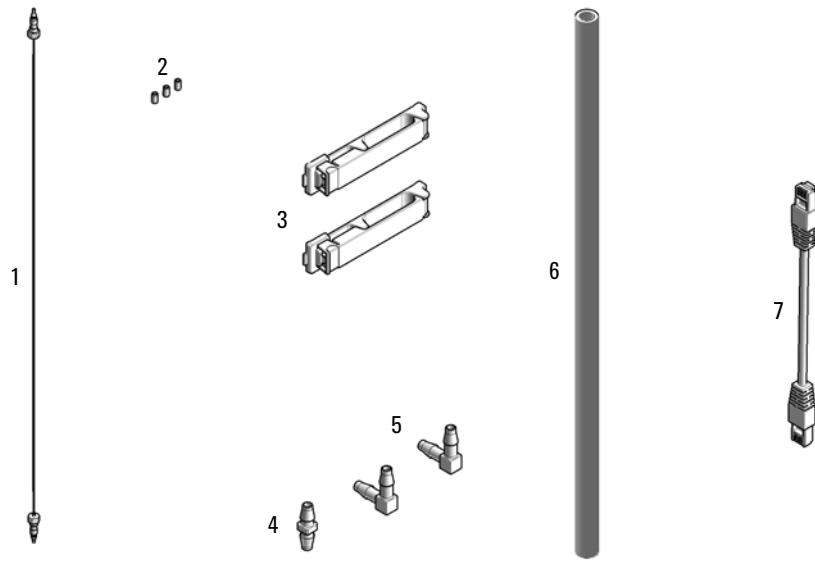


Figure 35 Accessory Kit for Vialsamplers

Vial Drawers and Trays

Cartesian Vial Drawers

Item	p/n	Description
1	G7129-60010	Drawer for 66 x 2 mL Vials
2	G7129-60110	Drawer for 18 x 6 mL Vials

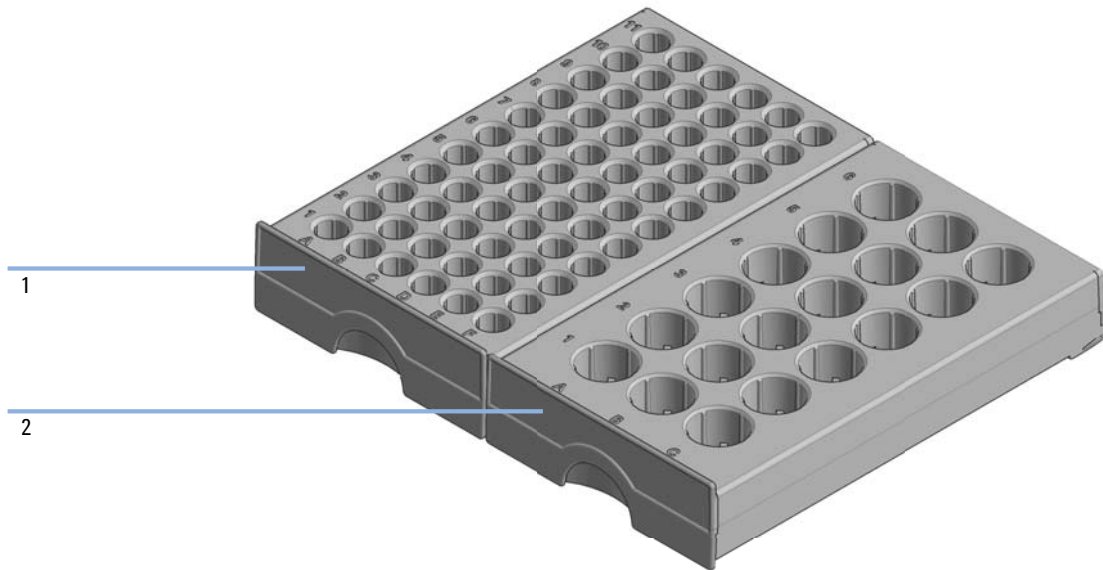


Figure 36 Cartesian Vial Drawers

NOTE

Do not use cartesian vial drawers in combination with classic vial drawers.

Classic Vial Drawers

Classic Vial Drawer Kit (G7129-68210) contains:

p/n	Description
G7129-60210	Classic Drawer for 50 x 2 mL Vials, Left
G7129-60220	Classic Drawer for 50 x 2 mL Vials, Right

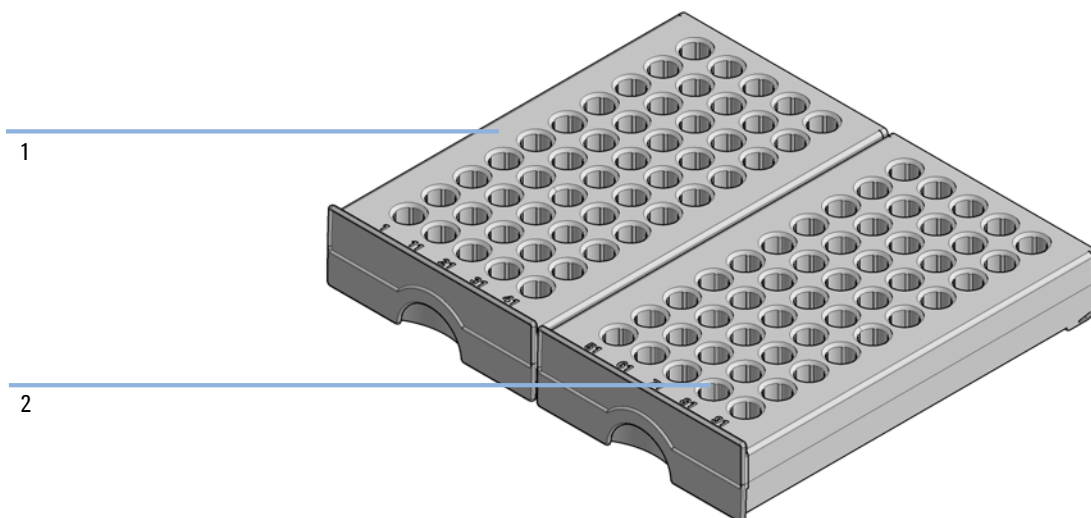


Figure 37 Classic Vial Drawer Kit

NOTE

Do not use classic vial drawers in combination with cartesian vial drawers.

NOTE

Make sure of the correct position of the left (vials 1 – 50) and the right (vials 51 – 100) drawer of the Classic Vial Drawer Kit.

External Tray

p/n	Description
G7129-60000	External Tray for 5 x 2 mL Vials
G1313-27302	Disposal tube (not shown)

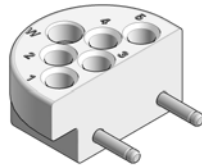


Figure 38 External tray

Multidraw Kits

Multidraw Kit

Multidraw Kit for InfinityLab Sampler (G7167-68711) contains the following items:

p/n	Description
G1313-87307	Seat Capillary, ST, 500 μ L, ID 0.5 mm
G1313-87308	Seat Capillary, ST, 1500 μ L, ID 0.94 mm
0100-0900	Zero Dead Volume Union, ST

NOTE

With the Multidraw Kit, the maximum injection volume can be extended to 500 or 1500 μ L for the 100 μ L analytical head and to 1800 μ L for the 900 μ L analytical head. The nominal volume of the seat capillaries is 656 and 2415 μ L, respectively.

Large Volume Injection Kit

Large Volume Injection Kit for 1290 Infinity II Samplers (G4216-68711) contains:

p/n	Description
	Extension Seat Capillary, 80 μ L, 0.5 mm ID (0.9 mm OD)

NOTE

With the Large Volume Injection Kit, the maximum injection volume can be extended to 100 or 120 μ L, depending on the sample loop installed in the system. The nominal volume of the seat capillary is 157 μ L.

Sample Thermostat Upgrade

InfinityLab Sample Thermostat Upgrade Kit (G4761A) contains:

p/n	Description
G7167-60101	Sample Thermostat
5067-6208	Condensate Drainage Kit (not shown)

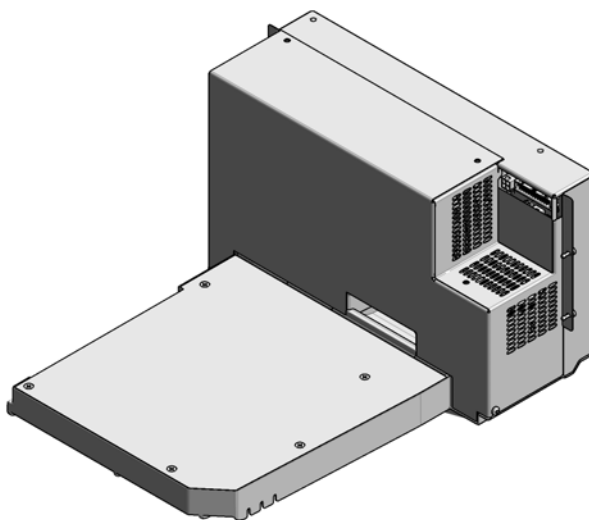


Figure 39 Sample Thermostat

NOTE

The Sample Thermostat contains flammable refrigerant R600a. Please check further details for installation.

Integrated Column Compartment

p/n	Description
G7130-60030	Integrated Column Compartment, 3 μ L Heater
G7130-60060	Integrated Column Compartment, 6 μ L Heater
G7116-68003	Column Holder Lamella, 2/pk (not shown)

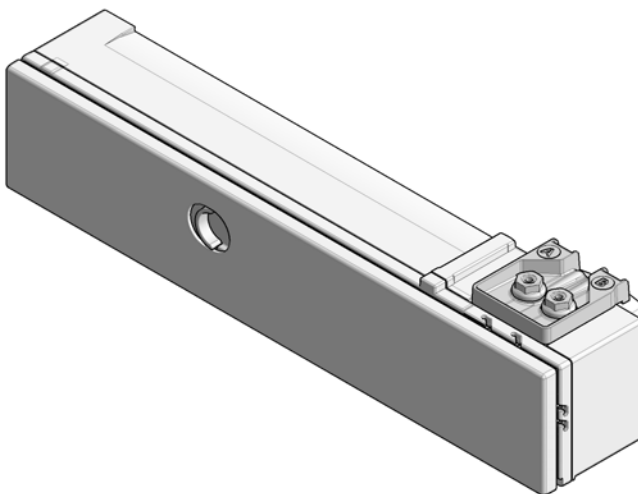


Figure 40 Integrated Column Compartment

NOTE

The Integrated Column Compartment is always shipped with an accessory kit, including a pair of column-holder lamellas and two stainless steel capillaries (ID 0.12 mm or 0.17 mm) with a length of 105 mm and 120 mm, respectively (see “Capillary Connections” on page 278).

Column ID Upgrade Kit

Column ID Upgrade Kit for the Integrated Column Compartment (G4751A) contains:

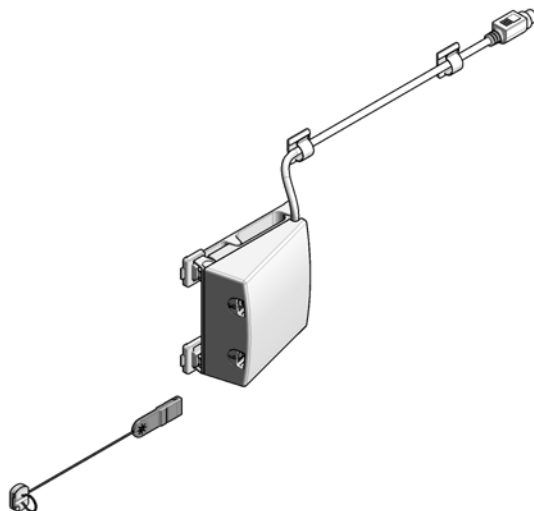


Figure 41 Column Identifier Kit

p/n	Description
5067-5964	Column ID Tag Reader
5067-5917	InfinityLab Column Identification Tag

NOTE

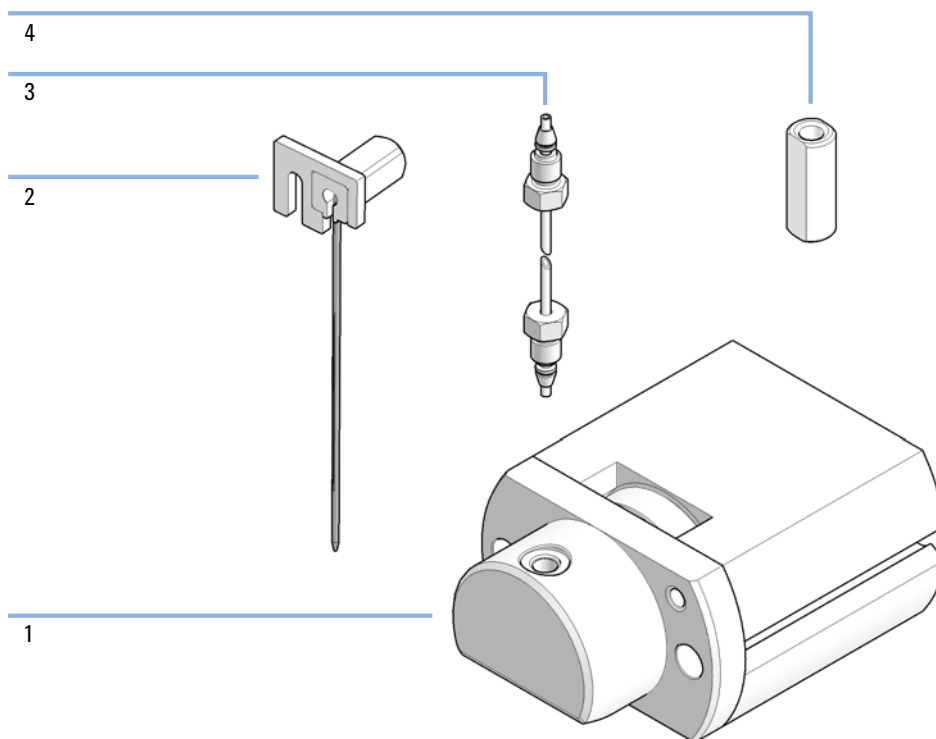
The InfinityLab Column Identification Tags used in G7116A/B and G7129A/B/C are not compatible with the former Column Identification Tags used in G1316x.

NOTE

The Column Identifier Kit can only be used in combination with the Integrated Column Compartment (ICC).

Parts for 900 μ L Injection Upgrade

Item	p/n	Description
1	G7129-60083	Analytical Head Assembly 900 μ L
	G7129-87202	Needle assembly, slotted, for high injection volumes
3	G1313-87303	Capillary ST 0.17 mm x 400 mm S/S (Loop extension capillary (900 μ L))
	5022-2133	High Flow Union, ST



NOTE

With the 900 μ L analytical head, the maximum system pressure is limited to 400 bar.

Cabinet and Door Kits

Cabinet Kit

Cabinet Kit for Infinity II Vialsampler/Preparative Autosampler (G7129-68713) contains:

Item	p/n	Description
1		Top cover
2	5043-1804	Name Plate, Infinity II 1290
2	5043-1805	Name Plate, Infinity II 1260
3		Side Cover left
4		Side Cover right
5	5043-0286	Base Cover Infinity II

NOTE

The top cover and the two side covers are not separately operable.

Related parts:

Item	p/n	Description
6	G7129-60023	Column Shelf
7	5043-1013	Tubing Clip
8	5043-0874	Tubing Holder Insert (included in Side Cover, Right)
9	G1313-22406	Fixation Screw (included in Side Cover, Right)

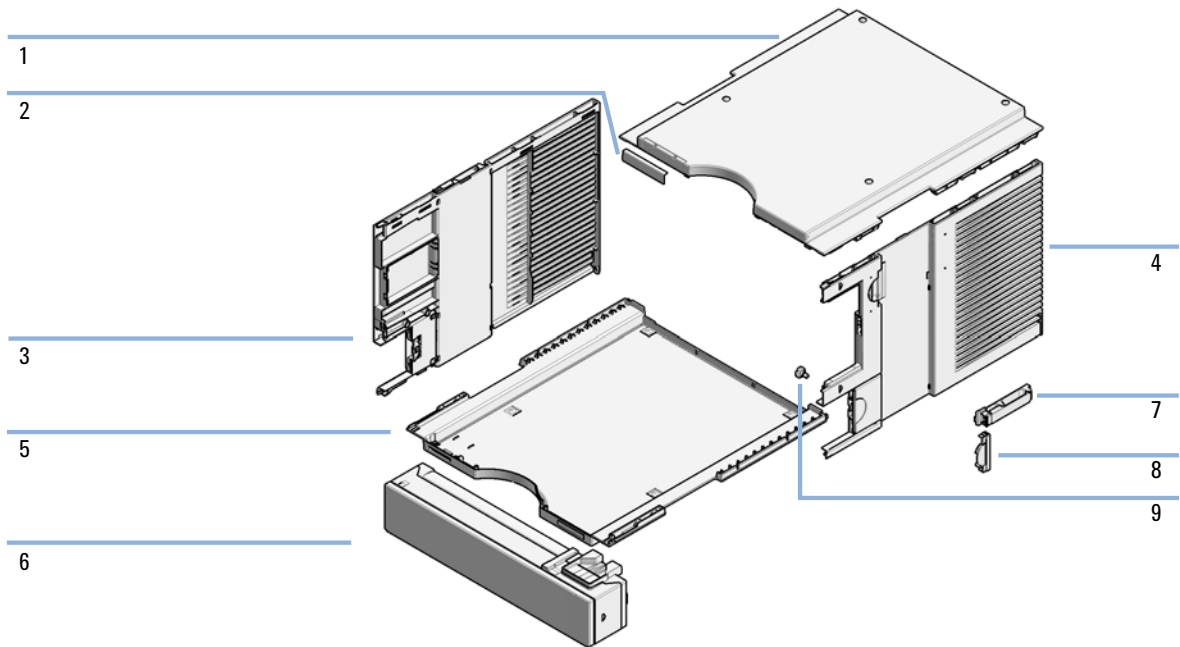


Figure 42 Cabinet Kit for Infinity II Vialsampler

Door Kit

Door Kit for Infinity II Vialsampler/Preparative Autosampler (G7129-68702) contains:

Item	p/n	Description
1		Door panel, left
2		Door panel, right
3		Side window
4	5067-5412	Hinge for Infinity II Instrument Doors (preinstalled in the doors)

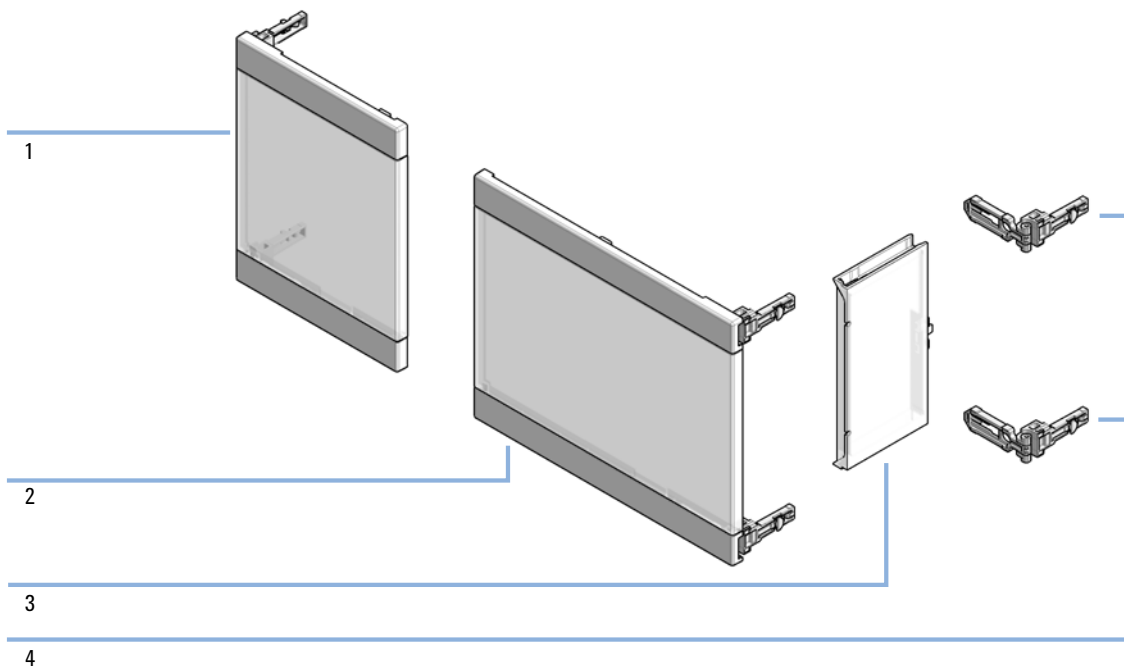


Figure 43 Door Kit for Infinity II Vialsampler

Door Insulation Kit

Door Insulation Kit (G7129-67003) contains:

Item	p/n	Description
1		Foam for Left Panel
2		Foam for Right Panel
3		Foam for Side Window

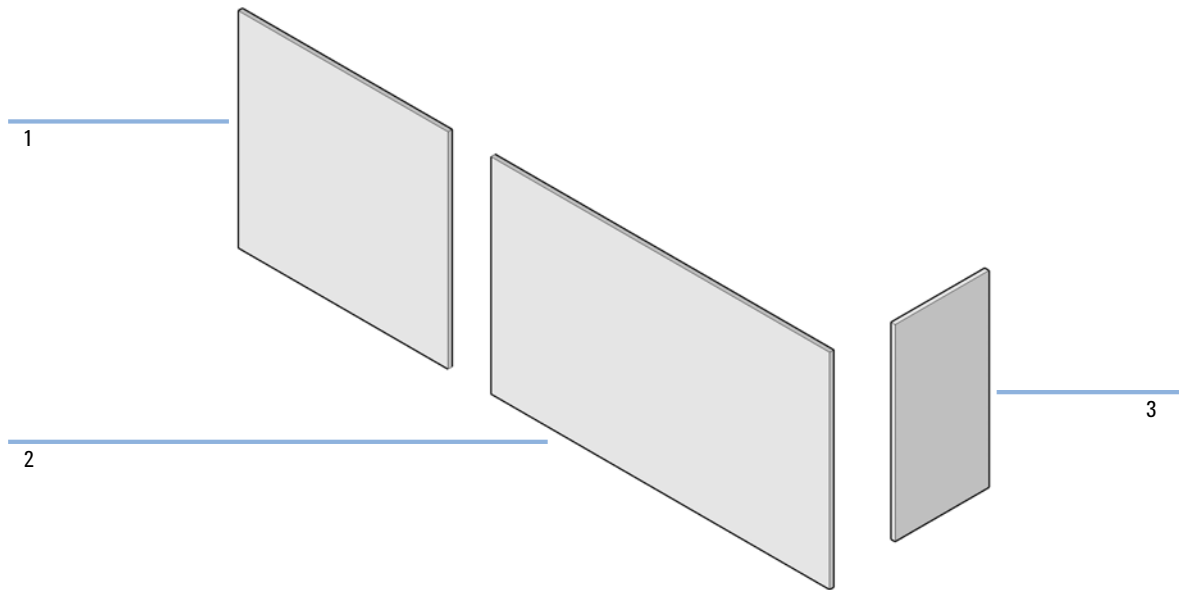


Figure 44 Door Insulation Kit

Analytical Head Assembly (100 μ L)

Item	p/n	Description
	G7129-60082	Analytical Head Assembly 100 μ L
1	G7129-27710	Analytical-Head 100 μ L
2	0905-1503	Metering Seal, 100 μ L
3	G7129-60182	Seal Support, 100 μ L
4	0515-1052	Screw, ST, M3x0.5, Hex 2.5 mm
5	G7129-60006	Analytical Head Adapter
6	0515-0850	Screw, ST, M4x0.7, Hex 4 mm
7	5067-5678	Piston, 100 μ L, Zirconia

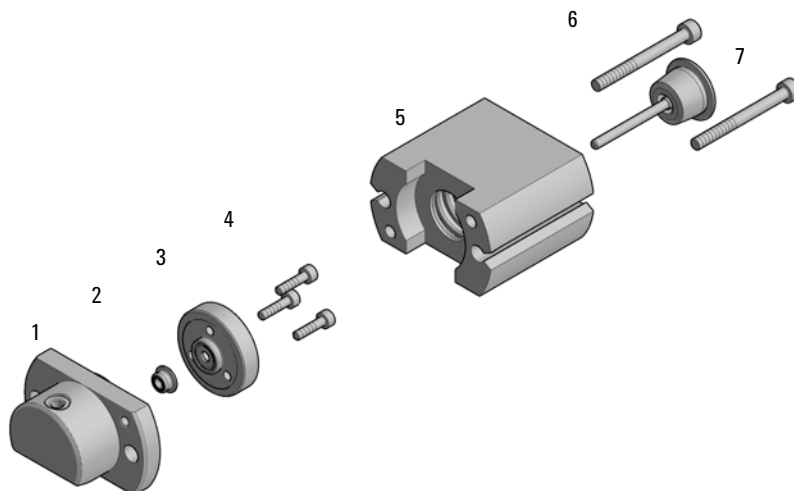


Figure 45 Analytical head assembly, 100 μ L

NOTE

With the 100 μ L analytical head, the maximum system pressure is limited to 800 bar.

Analytical-Head Assembly (900 μ L)

Item	p/n	Description
	G7129-60083	Analytical Head Assembly 900 μ L
1	G7129-27790	Analytical-Head 900 μ L
2	0905-1294	Metering Seal, 900 μ L
3	5001-3764	Seal Support, 900 μ L
4	G7129-60006	Analytical Head Adapter
5	0515-0850	Screw, ST, M4x0.7, Hex 4 mm
6	G4267-60462	Piston, 900 μ L, Sapphire

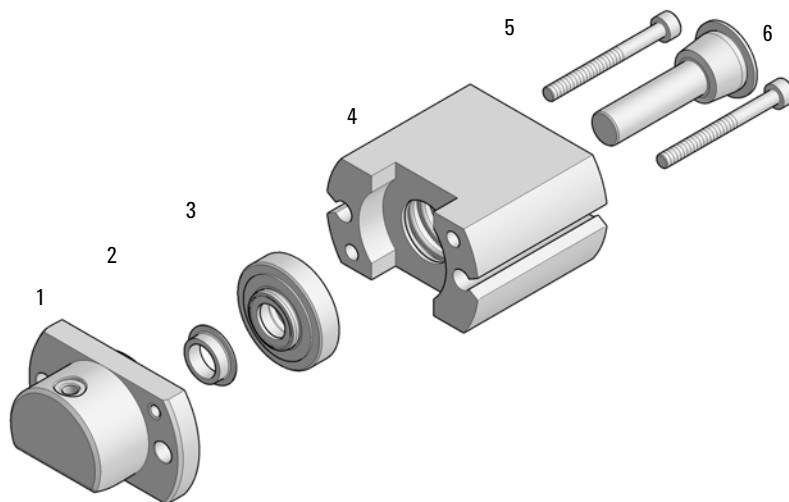


Figure 46 Analytical head assembly (900 μ L)

NOTE

With the 900 μ L analytical head, the maximum system pressure is limited to 400 bar.

Analytical Head Assembly (40 μ L)

Item	p/n	Description
	G7129-60084	Analytical Head Assembly 40 μ L
1	G7129-27704	Analytical-Head 40 μ L
2	0905-1717	Metering Seal, 40 μ L
3	G7129-60184	Seal Support, 40 μ L
4	0515-1052	Screw, ST, M3x0.5, Hex 2.5 mm
5	G7129-60006	Analytical Head Adapter
6	0515-0850	Screw, ST, M4x0.7, Hex 4 mm
7	5067-5920	Piston, 40 μ L, Zirconia

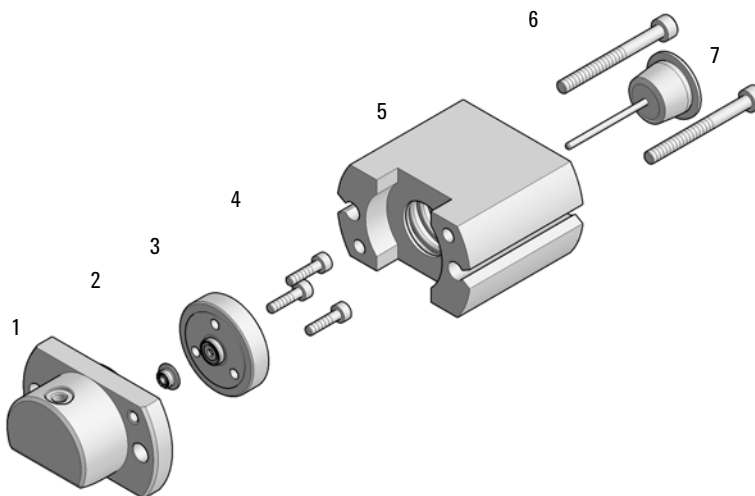


Figure 47 Analytical head assembly (40 μ L)

2 Position/6 Port Injection Valve, 600 bar

Item	p/n	Description
	5067-4245	2 Position/6 Port Injection Valve, 600 bar
1	5068-0018	Screws, ST, 8-32, Hex 9/64, 10/pk
2	5068-0215	Stator, Injection Valve, 600 bar/800 bar
3	5068-0118	Stator ring
4	0101-1416	Rotor Seal, PEEK, 600/800 bar
5	1535-4045	Bearing ring

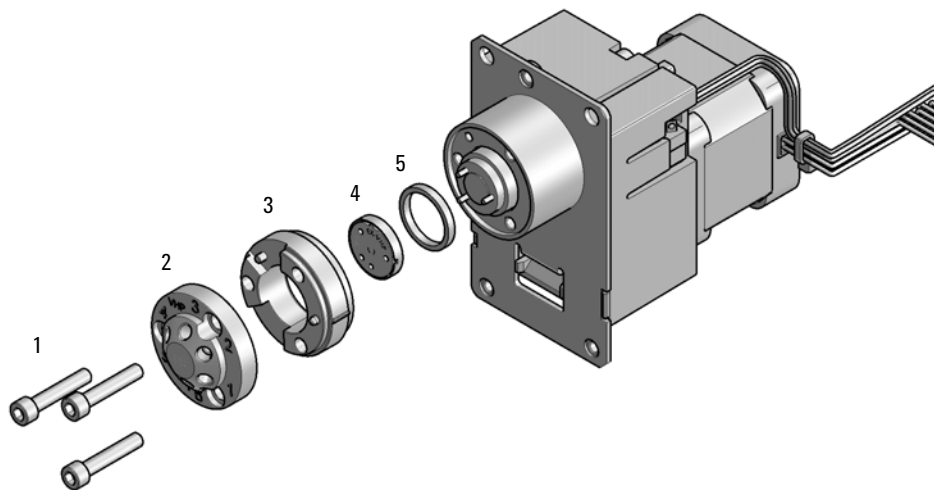


Figure 48 2 Position/6 Port Injection Valve 600 bar/800 bar

2 Position/6 Port Injection Valve, 800 bar

Item	p/n	Description
	5067-6689	2 Position/6 Port Injection Valve, 800 bar
1	5068-0018	Screws, ST, 8-32, Hex 9/64, 10/pk
2	5068-0215	Stator, Injection Valve, 600 bar/800 bar
3	5068-0118	Stator ring
4	0101-1416	Rotor Seal, PEEK, 600/800 bar
5	1535-4045	Bearing ring

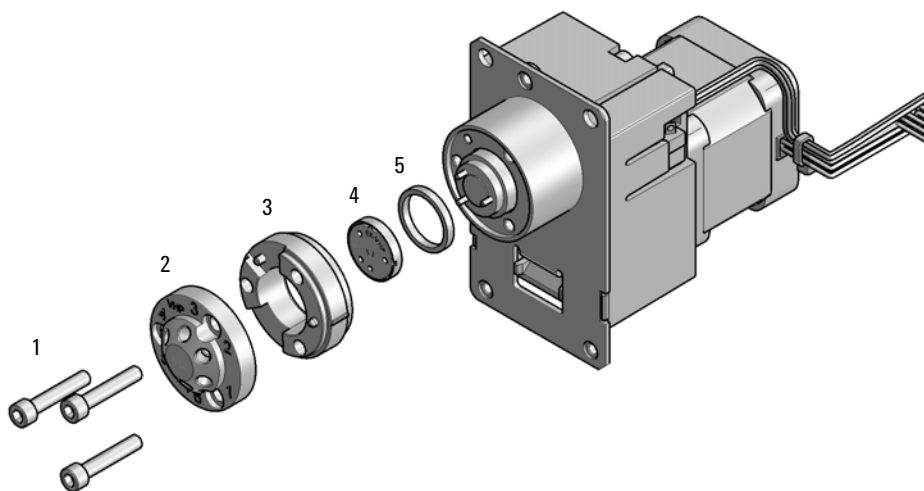


Figure 49 2 Position/6 Port Injection Valve 600 bar/800 bar

2 Position/6 Port Injection Valve, 1300 bar

Item	p/n	Description
	5067-4238	2 Position/6 Port Injection Valve, 1300 bar
1	5068-0018	Screws, ST, 8-32, Hex 9/64, 10/pk
2	5068-0216	Stator, Injection Valve, 1300 bar
3	5068-0118	Stator ring
4	5068-0007	Rotor Seal, Vespel, 1300 bar
5	1535-4045	Bearing ring

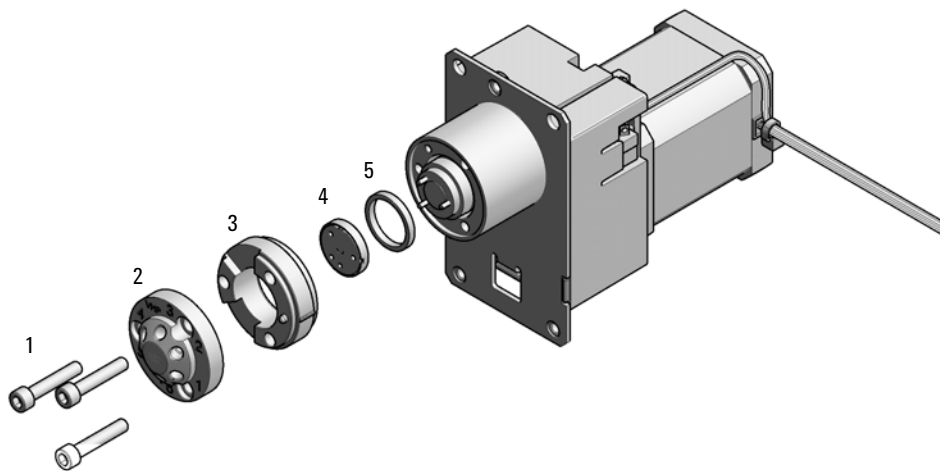


Figure 50 2 Position/6 Port Injection Valve 1300 bar



10

Identifying Cables

Cable Overview	302
Analog Cables	304
Remote Cables	306
CAN/LAN Cables	310
RS-232 Cables	311
USB	312

This chapter provides information on cables used with the Agilent 1200 Infinity Series modules.

Cable Overview

NOTE

Never use cables other than the ones supplied by Agilent Technologies to ensure proper functionality and compliance with safety or EMC regulations.

Analog cables

p/n	Description
35900-60750	Agilent 35900A A/D converter
01046-60105	Analog cable (BNC to general purpose, spade lugs)

Remote cables

p/n	Description
5188-8029	ERI to general purpose
5188-8044	Remote Cable ERI – ERI
5188-8045	Remote Cable APG – ERI
5188-8059	ERI-Extension-Cable 1.2 m
5061-3378	Remote Cable to 35900 A/D converter
01046-60201	Agilent module to general purpose
5188-8057	Fraction Collection ERI remote Y-cable

CAN cables

p/n	Description
5181-1516	CAN cable, Agilent module to module, 0.5 m
5181-1519	CAN cable, Agilent module to module, 1 m

LAN cables

p/n	Description
5023-0203	Cross-over network cable, shielded, 3 m (for point to point connection)
5023-0202	Twisted pair network cable, shielded, 7 m (for point to point connection)

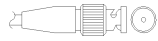
**RS-232 cables
(not for
FUSION board)**

p/n	Description
RS232-61601	RS-232 cable, 2.5 m Instrument to PC, 9-to-9 pin (female). This cable has special pin-out, and is not compatible with connecting printers and plotters. It is also called "Null Modem Cable" with full handshaking where the wiring is made between pins 1-1, 2-3, 3-2, 4-6, 5-5, 6-4, 7-8, 8-7, 9-9.
5181-1561	RS-232 cable, 8 m

USB cables

p/n	Description
5188-8050	USB A M-USB Mini B 3 m (PC-Module)
5188-8049	USB A F-USB Mini B M OTG (Module to Flash Drive)

Analog Cables



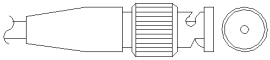
One end of these cables provides a BNC connector to be connected to Agilent modules. The other end depends on the instrument to which connection is being made.

Agilent Module to 35900 A/D converters

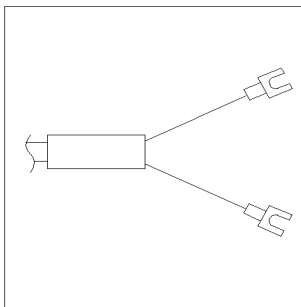
p/n 35900-60750	35900	Pin Agilent module	Signal Name
	1		Not connected
	2	Shield	Analog -
	3	Center	Analog +

Identifying Cables
Analog Cables


Agilent Module to BNC Connector

p/n 8120-1840	Pin BNC	Pin Agilent module	Signal Name
	Shield	Shield	Analog -
	Center	Center	Analog +

Agilent Module to General Purpose


p/n 01046-60105	Pin	Pin Agilent module	Signal Name
	1		Not connected
	2	Black	Analog -
	3	Red	Analog +

- 5188-8045 ERI to APG (Connector D_Subminiature 15 pin (ERI), Connector D_Subminiature 9 pin (APG))

p/n 5188-8045	Pin (ERI)	Signal	Pin (APG)	Active (TTL)
	10	GND	1	
	1	Start Request	9	Low
	2	Stop	8	Low
	3	Ready	7	High
	5	Power on	6	High
	4	Future	5	
	6	Shut Down	4	Low
	7	Start	3	Low
	8	Prepare	2	Low
	Ground	Cable Shielding	NC	

- 5188-8057 ERI to APG and RJ45 (Connector D_Subminiature 15 pin (ERI), Connector D_Subminiature 9 pin (APG), Connector plug Cat5e (RJ45))

Table 22 5188-8057 ERI to APG and RJ45

p/n 5188-8057	Pin (ERI)	Signal	Pin (APG)	Active (TTL)	Pin (RJ45)
	10	GND	1		5
	1	Start Request	9	High	
	2	Stop	8	High	
	3	Ready	7	High	
	4	Fraction Trigger	5	High	4
	5	Power on	6	High	
	6	Shut Down	4	High	
	7	Start	3	High	
	8	Prepare	2	High	
	Ground	Cable Shielding	NC		



One end of these cables provides a Agilent Technologies APG (Analytical Products Group) remote connector to be connected to Agilent modules. The other end depends on the instrument to be connected to.

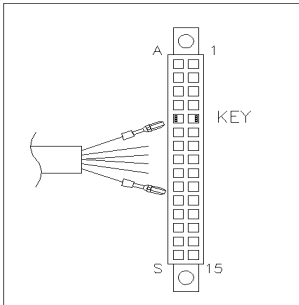
Identifying Cables

Remote Cables

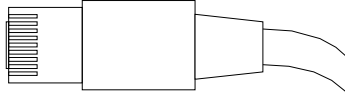
Agilent Module to Agilent 35900 A/D Converters

p/n 5061-3378	Pin 35900 A/D	Pin Agilent module	Signal Name	Active (TTL)
	1 - White	1 - White	Digital ground	
	2 - Brown	2 - Brown	Prepare run	Low
	3 - Gray	3 - Gray	Start	Low
	4 - Blue	4 - Blue	Shut down	Low
	5 - Pink	5 - Pink	Not connected	
	6 - Yellow	6 - Yellow	Power on	High
	7 - Red	7 - Red	Ready	High
	8 - Green	8 - Green	Stop	Low
	9 - Black	9 - Black	Start request	Low

Agilent Module to General Purpose

p/n 01046-60201	Wire Color	Pin Agilent module	Signal Name	Active (TTL)
	White	1	Digital ground	
	Brown	2	Prepare run	Low
	Gray	3	Start	Low
	Blue	4	Shut down	Low
	Pink	5	Not connected	
	Yellow	6	Power on	High
	Red	7	Ready	High
	Green	8	Stop	Low
	Black	9	Start request	Low

CAN/LAN Cables



Both ends of this cable provide a modular plug to be connected to Agilent modules CAN or LAN connectors.

CAN Cables

p/n	Description
5181-1516	CAN cable, Agilent module to module, 0.5 m
5181-1519	CAN cable, Agilent module to module, 1 m

LAN Cables

p/n	Description
5023-0203	Cross-over network cable, shielded, 3 m (for point to point connection)
5023-0202	Twisted pair network cable, shielded, 7 m (for point to point connection)

RS-232 Cables

p/n	Description
RS232-61601	RS-232 cable, 2.5 m Instrument to PC, 9-to-9 pin (female). This cable has special pin-out, and is not compatible with connecting printers and plotters. It is also called "Null Modem Cable" with full handshaking where the wiring is made between pins 1-1, 2-3, 3-2, 4-6, 5-5, 6-4, 7-8, 8-7, 9-9.
5181-1561	RS-232 cable, 8 m

USB

To connect a USB Flash Drive use a USB OTG cable with Mini-B plug and A socket.

p/n	Description
5188-8050	USB A M-USB Mini B 3 m (PC-Module)
5188-8049	USB A F-USB Mini B M OTG (Module to Flash Drive)

11

Hardware Information

Firmware Description	314
Electrical Connections	317
Rear View of the Module	318
Serial Number Information	318
Interfaces	319
Overview Interfaces	321
ERI (Enhanced Remote Interface)	323
USB (Universal Serial Bus)	325
Setting the 6-bit Configuration Switch	326
Special Settings	328
Instrument Layout	330
Early Maintenance Feedback (EMF)	331

This chapter describes the detector in more detail on hardware and electronics.

Firmware Description

The firmware of the instrument consists of two independent sections:

- a non-instrument specific section, called *resident system*
- an instrument specific section, called *main system*

Resident System

This resident section of the firmware is identical for all Agilent 1100/1200/1220/1260/1290 series modules. Its properties are:

- the complete communication capabilities (CAN, LAN, USB and RS- 232)
- memory management
- ability to update the firmware of the 'main system'

Main System

Its properties are:

- the complete communication capabilities (CAN, LAN, USB and RS- 232)
- memory management
- ability to update the firmware of the 'resident system'

In addition the main system comprises the instrument functions that are divided into common functions like

- run synchronization through APG/ERI remote,
- error handling,
- diagnostic functions,
- or module specific functions like
 - internal events such as lamp control, filter movements,
 - raw data collection and conversion to absorbance.

Firmware Updates

Firmware updates can be done with the Agilent Lab Advisor software with files on the hard disk (latest version should be used).

Required tools, firmware and documentation are available from the Agilent web: <http://www.agilent.com/en-us/firmwareDownload?whid=69761>

The file naming conventions are:

PPPP_RVVV_XXX.dlb, where

- PPPP is the product number, for example, 1315B for the G1315B DAD,
- R the firmware revision, for example, A for G1315B or B for the G1315C DAD,
- VVV is the revision number, for example 650 is revision 6.50,
- XXX is the build number of the firmware.

For instructions on firmware updates refer to section *Replacing Firmware* in chapter "Maintenance" or use the documentation provided with the *Firmware Update Tools*.

NOTE

Update of main system can be done in the resident system only. Update of the resident system can be done in the main system only.

Main and resident firmware must be from the same set.

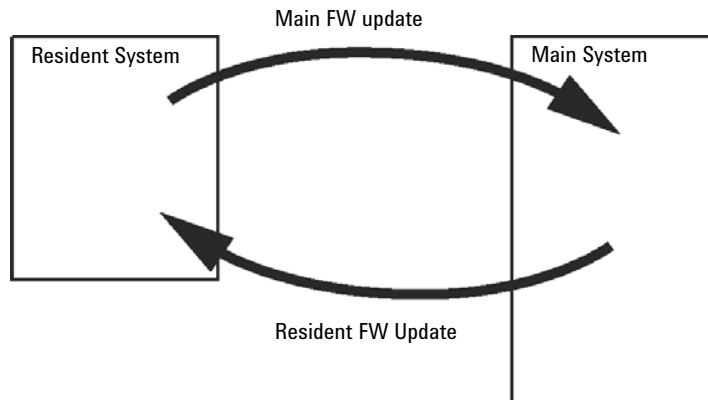


Figure 51 Firmware Update Mechanism

NOTE

Some modules are limited in downgrading due to their mainboard version or their initial firmware revision. For example, a G1315C DAD SL cannot be downgraded below firmware revision B.01.02 or to a A.xx.xx.

Some modules can be re-branded (e.g. G1314C to G1314B) to allow operation in specific control software environments. In this case, the feature set of the target type is used and the feature set of the original one is lost. After re-branding (e.g. from G1314B to G1314C), the original feature set is available again.

All this specific information is described in the documentation provided with the firmware update tools.

The firmware update tools, firmware and documentation are available from the Agilent web.

- <http://www.agilent.com/en-us/firmwareDownload?whid=69761>

Electrical Connections

- The CAN bus is a serial bus with high-speed data transfer. The two connectors for the CAN bus are used for internal module data transfer and synchronization.
- The ERI/REMOTE connector may be used in combination with other analytical instruments from Agilent Technologies if you want to use features such as start, stop, common shutdown, prepare, and so on.
- With the appropriate software, the LAN connector may be used to control the module from a computer through a LAN connection. This connector is activated and can be configured with the configuration switch.
- With the appropriate software, the USB connector may be used to control the module from a computer through a USB connection.
- The power input socket accepts a line voltage of 100 – 240 VAC \pm 10 % with a line frequency of 50 or 60 Hz. Maximum power consumption varies by module. There is no voltage selector on your module because the power supply has wide-ranging capability. There are no externally accessible fuses because automatic electronic fuses are implemented in the power supply.

NOTE

Never use cables other than the ones supplied by Agilent Technologies to ensure proper functionality and compliance with safety or EMC regulations.

Rear View of the Module

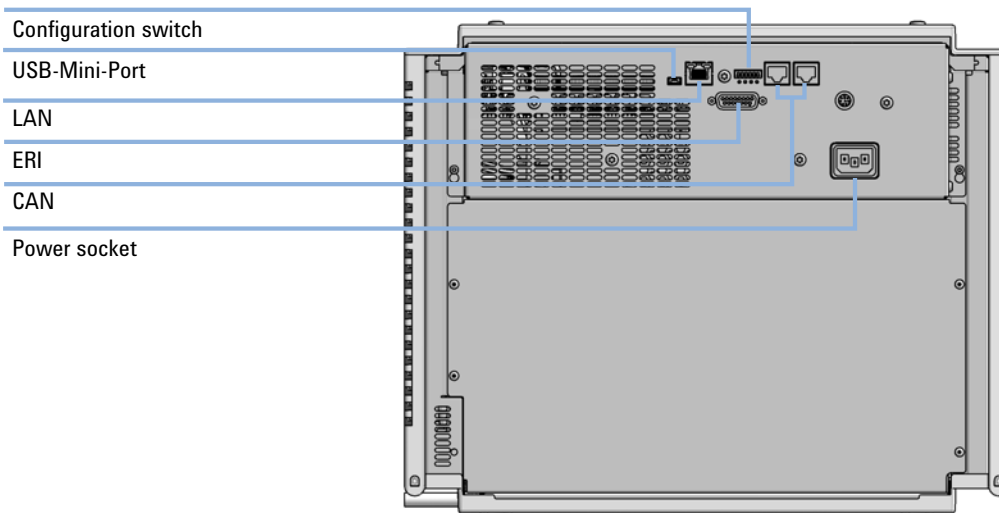


Figure 52 Rear view of Vialsampler - electrical connections and label

Serial Number Information

The serial number information on the instrument labels provide the following information:

CCXZZ00000	Format
CC	Country of manufacturing <ul style="list-style-type: none"> • DE = Germany • JP = Japan • CN = China
X	Alphabetic character A-Z (used by manufacturing)
ZZ	Alpha-numeric code 0-9, A-Z, where each combination unambiguously denotes a module (there can be more than one code for the same module)
00000	Serial number

Interfaces

The Agilent InfinityLab LC Series modules provide the following interfaces:

Table 23 Agilent InfinityLab LC Series Interfaces

Module	CAN	USB	LAN (on-board)	RS-232	Analog	APG (A) / ERI (E)	Special
Pumps							
G7104A/C	2	No	Yes	Yes	1	A	
G7110B	2	Yes	Yes	No	No	E	
G7111A/B, G5654A	2	Yes	Yes	No	No	E	
G7112B	2	Yes	Yes	No	No	E	
G7120A	2	No	Yes	Yes	1	A	
G7161A/B	2	Yes	Yes	No	No	E	
Samplers							
G7129A/B/C	2	Yes	Yes	No	No	E	
G7167B/C, G5667A	2	Yes	Yes	No	No	E	
G7157A	2	Yes	Yes	No	No	E	
Detectors							
G7114A/B	2	Yes	Yes	No	1	E	
G7115A	2	Yes	Yes	No	1	E	
G7117A/B/C	2	Yes	Yes	No	1	E	
G7121A/B	2	Yes	Yes	No	1	E	
G7162A/B	2	Yes	Yes	No	1	E	
G7165A	2	Yes	Yes	No	1	E	

Table 23 Agilent InfinityLab LC Series Interfaces

Module	CAN	USB	LAN (on-board)	RS-232	Analog	APG (A) / ERI (E)	Special
Fraction Collectors							
G7158B	2	Yes	Yes	No	No	E	
G7159B	2	Yes	Yes	No	No	E	
G7166A	2	No	No	No	No	No	Requires a host module with on-board LAN with minimum FW B.06.40 or C.06.40, or with additional G1369C LAN Card
G1364E/F, G5664B	2	Yes	Yes	No	No	E	THERMOSTAT for G1330B
Others							
G7116A/B	2	No	No	No	No	No	Requires a HOST module via CAN
G7122A	No	No	No	Yes	No	A	
G7170B	2	No	No	No	No	No	Requires a host module with on-board LAN with minimum FW B.06.40 or C.06.40, or with additional G1369C LAN Card

NOTE

The detector (DAD/MWD/FLD/VWD/RID) is the preferred access point for control via LAN. The inter-module communication is done via CAN.

- CAN connectors as interface to other modules
- LAN connector as interface to the control software
- RS-232C as interface to a computer
- USB (Universal Series Bus) as interface to a computer
- REMOTE connector as interface to other Agilent products
- Analog output connector(s) for signal output

Overview Interfaces

CAN

The CAN is inter-module communication interface. It is a 2-wire serial bus system supporting high speed data communication and real-time requirement.

LAN

The modules have either an interface slot for a LAN card (e.g. Agilent G1369B/C LAN Interface) or they have an on-board LAN interface (e.g. detectors G1315C/D DAD and G1365C/D MWD). This interface allows the control of the module/system via a PC with the appropriate control software. Some modules have neither on-board LAN nor an interface slot for a LAN card (e.g. G1170A Valve Drive or G4227A Flexible Cube). These are hosted modules and require a Host module with firmware B.06.40 or later or with additional G1369C LAN Card.

NOTE

If an Agilent detector (DAD/MWD/FLD/VWD/RID) is in the system, the LAN should be connected to the DAD/MWD/FLD/VWD/RID (due to higher data load). If no Agilent detector is part of the system, the LAN interface should be installed in the pump or autosampler.

USB

The USB interface replaces the RS-232 Serial interface in new FUSION generation modules. For details on USB refer to “USB (Universal Serial Bus)” on page 325.

Analog Signal Output

The analog signal output can be distributed to a recording device. For details refer to the description of the module’s mainboard.

Remote (ERI)

The ERI (Enhanced Remote Interface) connector may be used in combination with other analytical instruments from Agilent Technologies if you want to use features as common shut down, prepare, and so on.

It allows easy connection between single instruments or systems to ensure coordinated analysis with simple coupling requirements.

The subminiature D connector is used. The module provides one remote connector which is inputs/outputs (wired- or technique).

To provide maximum safety within a distributed analysis system, one line is dedicated to **SHUT DOWN** the system's critical parts in case any module detects a serious problem. To detect whether all participating modules are switched on or properly powered, one line is defined to summarize the **POWER ON** state of all connected modules. Control of analysis is maintained by signal readiness **READY** for next analysis, followed by **START** of run and optional **STOP** of run triggered on the respective lines. In addition **PREPARE** and **START REQUEST** may be issued. The signal levels are defined as:

- standard TTL levels (0 V is logic true, + 5.0 V is false),
- fan-out is 10,
- input load is 2.2 kOhm against + 5.0 V, and
- output are open collector type, inputs/outputs (wired- or technique).

NOTE

All common TTL circuits operate with a 5 V power supply. A TTL signal is defined as "low" or L when between 0 V and 0.8 V and "high" or H when between 2.0 V and 5.0 V (with respect to the ground terminal).

Table 24 ERI signal distribution

Pin	Signal	Description
1	START REQUEST	(L) Request to start injection cycle (for example, by start key on any module). Receiver is the autosampler.
2	STOP	(L) Request to reach system ready state as soon as possible (for example, stop run, abort or finish and stop injection). Receiver is any module performing run-time controlled activities.
3	READY	(H) System is ready for next analysis. Receiver is any sequence controller.
4	POWER ON	(H) All modules connected to system are switched on. Receiver is any module relying on operation of others.
5		Not used
6	SHUT DOWN	(L) System has serious problem (for example, leak: stops pump). Receiver is any module capable to reduce safety risk.
7	START	(L) Request to start run / timetable. Receiver is any module performing run-time controlled activities.
8	PREPARE	(L) Request to prepare for analysis (for example, calibration, detector lamp on). Receiver is any module performing pre-analysis activities.

Special Interfaces

There is no special interface for this module.

ERI (Enhanced Remote Interface)

ERI replaces the AGP Remote Interface that is used in the HP 1090/1040/1050/1100 HPLC systems and Agilent 1100/1200/1200 Infinity HPLC modules. All new InfinityLab LC Series products using the FUSION core electronics use ERI. This interface is already used in the Agilent Universal Interface Box 2 (UIB2)

ERI Description

The ERI interface contains eight individual programmable input/output pins. In addition, it provides 24 V power and 5 V power and a serial data line to detect and recognize further add-ons that could be connected to this interface. This way the interface can support various additional devices like sensors, triggers (in and out) and small controllers, etc.

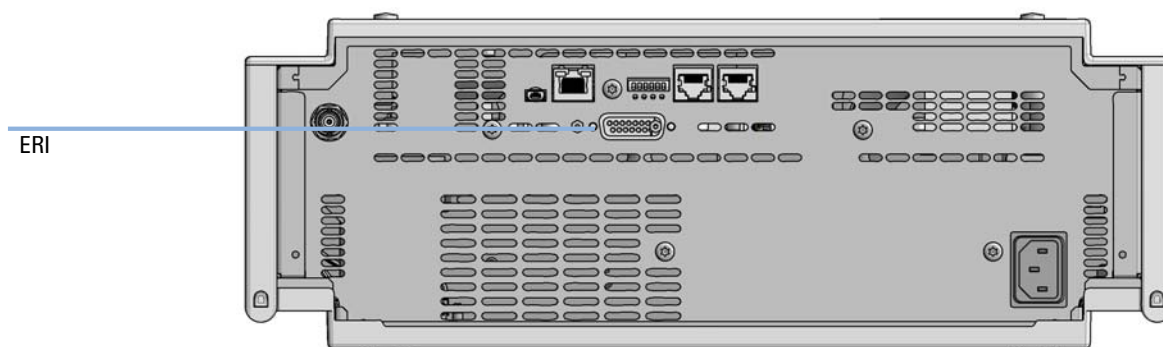


Figure 53 Location of the ERI interface (example shows a G7114A/B VWD)

	Pin	Enhanced Remote
	1	IO 1 (START REQUEST)
	2	IO 2 (STOP)
	3	IO 3 (READY)
	4	IO 4 (POWER ON)
	5	IO 5 (NOT USED)
	6	IO 6 (SHUT DOWN)
	7	IO 7 (START)
	8	IO 8 (PREPARE)
	9	1 wire DATA
	10	DGND
	11	+5 V ERI out
	12	PGND
	13	PGND
	14	+24 V ERI out
	15	+24 V ERI out

IO (Input/Output) Lines

- Eight generic bi-directional channels (input or output).
- Same as the APG Remote.
- Devices like valves, relays, ADCs, DACs, controllers can be supported/controlled.

1-Wire Data (Future Use)

This serial line can be used to read out an EPROM or write into an EPROM of a connected ERI-device. The firmware can detect the connected type of device automatically and update information in the device (if required).

5V Distribution (Future Use)

- Available directly after turning on the hosting module (assures that the firmware can detect certain basic functionality of the device).
- For digital circuits or similar.
- Provides 500 mA maximum.
- Short-circuit proof with automatic switch off (by firmware).

24V Distribution (Future Use)

- Available by firmware command (defined turn on/off).
- For devices that need higher power
 - Class 0: 0.5 A maximum (12 W)
 - Class 1: 1.0 A maximum (24 W)
 - Class 2: 2.0 A maximum (48 W)
- Class depends on hosting module's internal power overhead.
- If a connected device requires more power the firmware detects this (overcurrent detection) and provides the information to the user interface.
- Fuse used for safety protection (on board).
- Short circuit will be detected through hardware.

USB (Universal Serial Bus)

USB (Universal Serial Bus) - replaces RS232, supports:

- a PC with control software (for example Agilent Lab Advisor)
- USB Flash Disk

Setting the 6-bit Configuration Switch

The 6-bit configuration switch is located at the rear of the module with FUSION electronics. Switch settings provide configuration parameters for LAN and instrument specific initialization procedures.

All modules with FUSION electronics:

- Default is ALL switches DOWN (best settings).
 - Default IP address for LAN 192.168.254.11
- For specific LAN modes switches 4-5 must be set as required.
- For boot resident/cold start modes switches 1+2 or 6 must be UP.

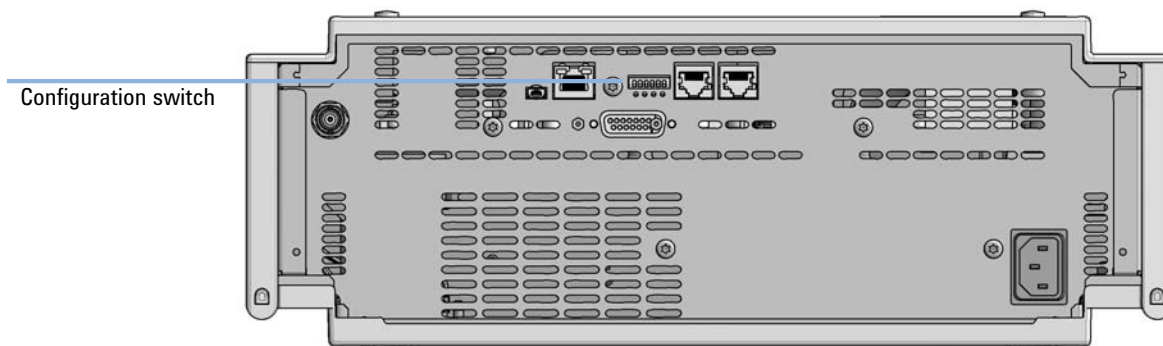


Figure 54 Location of Configuration switch (example shows a G7114A/B VWD)

Table 25 6-bit Configuration Switch

	Mode		Function/Setting			
	Switch 1	Switch 2	Switch 3	Switch 4	Switch 5	Switch 6
COM ¹	0	n.a. ²	n.a.	LAN Init Mode		n.a.
Use Default IP Address ³		0	0	0	0	0
Use Stored IP Address		0	0	0	1	0
Use DHCP to request IP Address ⁴		0	0	1	0	0
Test	1	System	n.a.	n.a.	n.a.	ColdStart
Boot Main System / Keep Data		0	0	0	0	0
Boot Resident System / Keep Data		1	0	0	0	0
Boot Main System / Revert to Default Data		0	0	0	0	1
Boot Resident System / Revert to Default Data		1	0	0	0	1

¹ When selecting mode COM, settings are stored to non-volatile memory. When selecting mode TEST, COM settings are taken from non-volatile memory.

² not assigned - Always keep these switches on position '0' (off)

³ Default IP Address is 192.168.254.11

⁴ Host Name will be the MAC address.

Special Settings

Boot-Resident/Main

Firmware update procedures may require this mode in case of firmware loading errors (main/resident firmware part).

If you use the following switch settings and power the instrument up again, the instrument firmware stays in the resident/main mode. In resident mode, it is not operable as a module. It only uses basic functions of the operating system for example, for communication. In this mode the main firmware can be loaded (using update utilities).

Forced Cold Start

A forced cold start can be used to bring the module into a defined mode with default parameter settings.

- **Boot Main System / Revert to Default Data**
The instrument will boot to main mode and changes to the module's default parameter. May be also required to load resident firmware into the module.
- **Boot Resident System / Revert to Default Data**
The instrument will boot to resident mode and changes to the module's default parameter. May be also required to load main firmware into the module.

CAUTION


Loss of data

Forced cold start erases all methods and data stored in the non-volatile memory. Exceptions are calibration settings, diagnosis and repair log books which will not be erased.

- ✓ **Save your methods and data before executing a forced cold start.**

If you use the following switch settings and power the instrument up again, it will start as described above.

Table 26 Boot Resident / Forced Coldstart

	SW1	SW2	SW3	SW4	SW5	SW6	Init Mode
	1	0	0	0	0	0	Boot Main System / Keep Data
	1	1	0	0	0	0	Boot Resident System / Keep Data
	1	0	0	0	0	1	Boot Main System / Revert to Default Data
	1	1	0	0	0	1	Boot Resident System / Revert to Default Data

Note: The setting '0' (down) is essential.

Instrument Layout

The industrial design of the module incorporates several innovative features. It uses Agilent's E-PAC concept for the packaging of electronics and mechanical assemblies. This concept is based upon the use of expanded polypropylene (EPP) layers of foam plastic spacers in which the mechanical and electronic boards components of the module are placed. This pack is then housed in a metal inner cabinet which is enclosed by a plastic external cabinet. The advantages of this packaging technology are:

- virtual elimination of fixing screws, bolts or ties, reducing the number of components and increasing the speed of assembly/disassembly,
- the plastic layers have air channels molded into them so that cooling air can be guided exactly to the required locations,
- the plastic layers help cushion the electronic and mechanical parts from physical shock, and
- the metal inner cabinet shields the internal electronics from electromagnetic interference and also helps to reduce or eliminate radio frequency emissions from the instrument itself.

Early Maintenance Feedback (**EMF**)

Maintenance requires the exchange of components which are subject to wear or stress. Ideally, the frequency at which components are exchanged should be based on the intensity of usage of the module and the analytical conditions, and not on a predefined time interval. The early maintenance feedback (**EMF**) feature monitors the usage of specific components in the instrument, and provides feedback when the user-selectable limits have been exceeded. The visual feedback in the user interface provides an indication that maintenance procedures should be scheduled.

EMF Counters

EMF counters increment with use and can be assigned a maximum limit which provides visual feedback in the user interface when the limit is exceeded. Some counters can be reset to zero after the required maintenance procedure.

Using the **EMF Counters**

The user-settable **EMF** limits for the **EMF Counters** enable the early maintenance feedback to be adapted to specific user requirements. The useful maintenance cycle is dependent on the requirements for use. Therefore, the definition of the maximum limits need to be determined based on the specific operating conditions of the instrument.

Setting the **EMF Limits**

The setting of the **EMF** limits must be optimized over one or two maintenance cycles. Initially the default **EMF** limits should be set. When instrument performance indicates maintenance is necessary, take note of the values displayed by the **EMF counters**. Enter these values (or values slightly less than the displayed values) as **EMF** limits, and then reset the **EMF counters** to zero. The next time the **EMF counters** exceed the new **EMF** limits, the **EMF** flag will be displayed, providing a reminder that maintenance needs to be scheduled.

12

LAN Configuration

What You Have to Do First	333
TCP/IP parameter configuration	334
Configuration Switches	335
Initialization Mode Selection	336
Dynamic Host Configuration Protocol (DHCP)	338
General Information (DHCP)	338
Setup (DHCP)	339
Manual Configuration	341
With Telnet	342
PC and Agilent ChemStation Setup	345
PC Setup for Local Configuration	345
Agilent ChemStation Setup	348

This chapter provides information on connecting the module to the Agilent ChemStation PC.

What You Have to Do First

The module has an on-board LAN communication interface.

NOTE

This chapter is generic and may show figures that differ from your module. The functionality is the same.

- 1 Note the MAC (Media Access Control) address for further reference. The MAC or hardware address of the LAN interfaces is a world wide unique identifier. No other network device will have the same hardware address. The MAC address can be found on a label at the rear of the module underneath the configuration switch (see [Figure 56](#) on page 333).

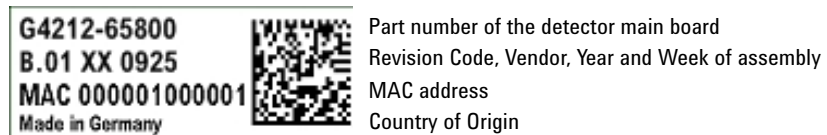


Figure 55 MAC-Label

- 2 Connect the instrument's LAN interface (see [Figure 56](#) on page 333) to
 - the PC network card using a crossover network cable (point-to-point) or
 - a hub or switch using a standard LAN cable.

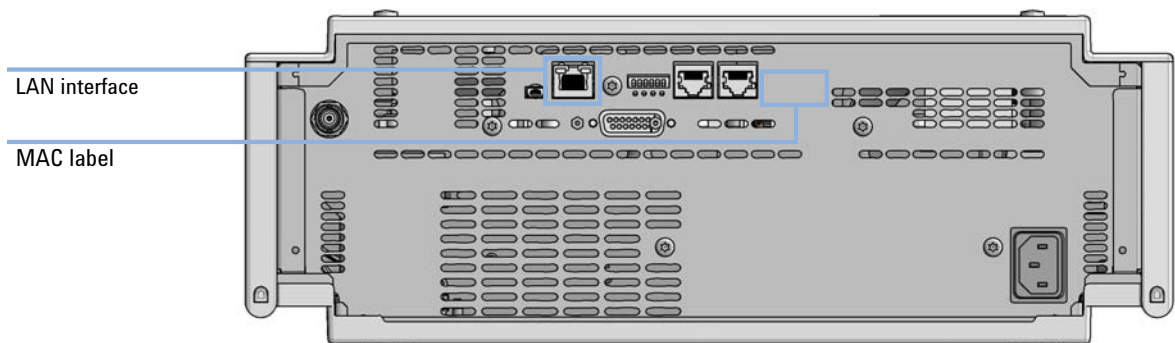


Figure 56 Location of LAN interfaces and MAC label

TCP/IP parameter configuration

To operate properly in a network environment, the LAN interface must be configured with valid TCP/IP network parameters. These parameters are:

- IP address
- Subnet Mask
- Default Gateway

The TCP/IP parameters can be configured by the following methods:

- by automatically requesting the parameters from a network-based DHCP Server (using the so-called Dynamic Host Configuration Protocol). This mode requires a LAN-onboard Module or a G1369C LAN Interface card, see “[Setup \(DHCP\)](#)” on page 339
- by manually setting the parameters using Telnet
- by manually setting the parameters using the Local Controller

The LAN interface differentiates between several initialization modes. The initialization mode (short form ‘init mode’) defines how to determine the active TCP/IP parameters after power-on. The parameters may be derived non-volatile memory or initialized with known default values. The initialization mode is selected by the configuration switch, see [Table 27](#) on page 336.

Configuration Switches

The configuration switch can be accessed at the rear of the module.

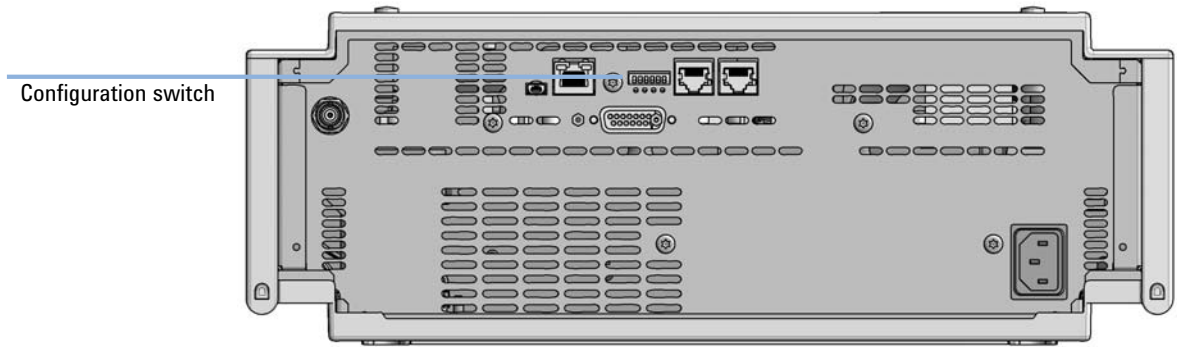


Figure 57 Location of Configuration switch (example shows a G7114A/B VWD)

The module is shipped with all switches set to OFF, as shown above.


NOTE

To perform any LAN configuration, SW1 and SW2 must be set to OFF.

Initialization Mode Selection

The following initialization (init) modes are selectable:

Table 27 Initialization Mode Switches

	SW1	SW2	SW3	SW4	SW5	SW6	Init Mode
	0	0	0	0	0	0	Use Default IP Address
	0	0	0	0	1	0	Use Stored IP Address
	0	0	0	1	0	0	Use DHCP

Note: The setting '0' (down) is essential.

Default IP address for LAN is 192.168.254.11.

DHCP address is the module's LAN MAC address.

Using Stored

When initialization mode **Using Stored** is selected, the parameters are taken from the non-volatile memory of the module. The TCP/IP connection will be established using these parameters. The parameters were configured previously by one of the described methods.

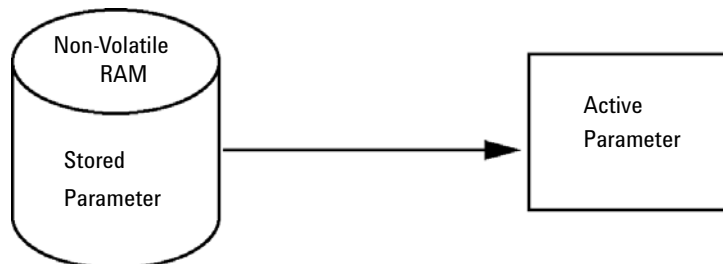


Figure 58 Using Stored (Principle)

Using Default

When **Using Default** is selected, the factory default parameters are taken instead. These parameters enable a TCP/IP connection to the LAN interface without further configuration, see [Table 28](#) on page 337.

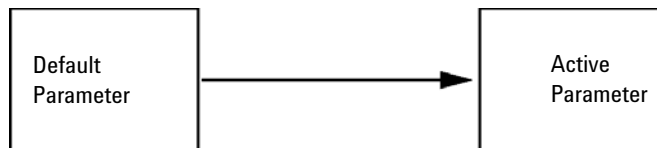


Figure 59 Using Default (Principle)

NOTE

Using the default address in your local area network may result in network problems. Take care and change it to a valid address immediately.

Table 28 Using Default Parameters

IP address:	192.168.254.11
Subnet Mask:	255.255.255.0
Default Gateway	not specified

Since the default IP address is a so-called local address, it will not be routed by any network device. Thus, the PC and the module must reside in the same subnet.

The user may open a Telnet session using the default IP address and change the parameters stored in the non-volatile memory of the module. He may then close the session, select the initialization mode Using Stored, power-on again and establish the TCP/IP connection using the new parameters.

When the module is wired to the PC directly (e.g. using a cross-over cable or a local hub), separated from the local area network, the user may simply keep the default parameters to establish the TCP/IP connection.

NOTE

In the **Using Default** mode, the parameters stored in the memory of the module are not cleared automatically. If not changed by the user, they are still available, when switching back to the mode Using Stored.

Dynamic Host Configuration Protocol (DHCP)

General Information (DHCP)

The Dynamic Host Configuration Protocol (DHCP) is an auto configuration protocol used on IP networks. The DHCP functionality is available on all Agilent HPLC modules with on-board LAN Interface or LAN Interface Card G1369C, and "B"-firmware (B.06.40 or above) or modules with "D"-firmware. All modules should use latest firmware from the same set.

When the initialization mode "DHCP" is selected, the card tries to download the parameters from a DHCP Server. The parameters obtained become the active parameters immediately. They are not stored to the non-volatile memory of the card.

Besides requesting the network parameters, the card also submits its hostname to the DHCP Server. The hostname equals the MAC address of the card, e.g. *0030d3177321*. It is the DHCP server's responsibility to forward the hostname/address information to the Domain Name Server. The card does not offer any services for hostname resolution (e.g. NetBIOS).

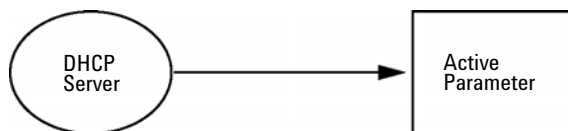


Figure 60 DHCP (Principle)

NOTE

- 1 It may take some time until the DHCP server has updated the DNS server with the hostname information.
- 2 It may be necessary to fully qualify the hostname with the DNS suffix, e.g. *0030d3177321.country.company.com*.
- 3 The DHCP server may reject the hostname proposed by the card and assign a name following local naming conventions.

Setup (DHCP)

The DHCP functionality is available on all Agilent HPLC modules with on-board LAN Interface or LAN Interface Card G1369C, and "B"-firmware (B.06.40 or above) or modules with "D"-firmware. All modules should use latest firmware from the same set.

- 1 Note the MAC address of the LAN interface (provided with G1369C LAN Interface Card or mainboard). This MAC address is on a label on the card or at the rear of the mainboard, for example, *0030d3177321*.

On the Local Controller the MAC address can be found under **Details** in the LAN section.

Property	Value
Controller : DE12345678 (G4208A)	
Main Revision	B.02.12 [0001]
DAD : DE64260019 (G1315D)	
Main Revision	B.06.41 [0002]
Resident Revision	B.06.40 [0007]
On-time	3d 01:33h
Installed Options	Dhcp
LAN TCP/IP Mode	DHCP
LAN TCP/IP Address	130.168.132.219
LAN MAC Address	0030D314F89E
Board ID	TYPE=G1315-66565. SER=MAC. REV=AC. MFG=
Lamp	2140-0820 : 848728
Cell	no info

Information on each module. 10:08

Figure 61 LAN Setting on Instant Pilot

LAN Configuration

Dynamic Host Configuration Protocol (DHCP)

- 2 Set the configuration switch to DHCP either on the G1369C LAN Interface Card or the mainboard of above mentioned modules.

Table 29 G1369C LAN Interface Card (configuration switch on the card)

SW 4	SW 5	SW 6	SW 7	SW 8	Initialization Mode
ON	OFF	OFF	OFF	OFF	DHCP

Table 30 LC Modules with 8-bit configuration switch (B-firmware) (configuration switch at rear of the instrument)

SW 6	SW 7	SW 8	Initialization Mode
ON	OFF	OFF	DHCP

- 3 Turn on the module that hosts the LAN interface.
- 4 Configure your Control Software (e.g. OpenLAB CDS ChemStation Edition, Lab Advisor, Firmware Update Tool) and use MAC address as host name, e.g. *0030d3177321*.

The LC system should become visible in the control software (see Note in section “General Information (DHCP)” on page 338).

Manual Configuration

Manual configuration only alters the set of parameters stored in the non-volatile memory of the module. It never affects the currently active parameters. Therefore, manual configuration can be done at any time. A power cycle is mandatory to make the stored parameters become the active parameters, given that the initialization mode selection switches are allowing it.

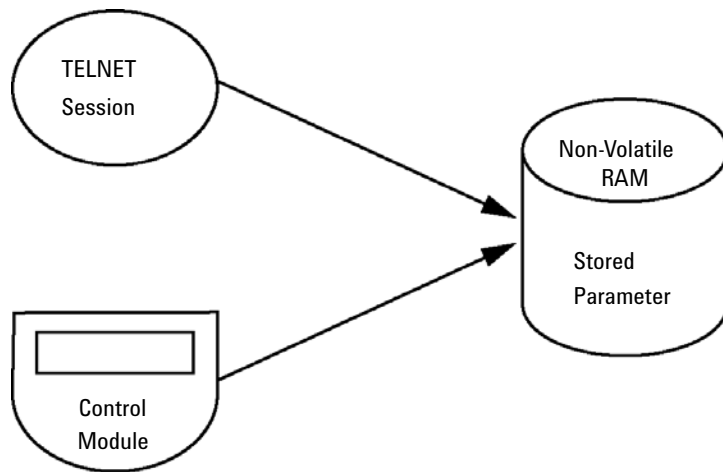
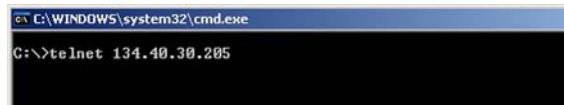


Figure 62 Manual Configuration (Principle)

With Telnet

Whenever a TCP/IP connection to the module is possible (TCP/IP parameters set by any method), the parameters may be altered by opening a Telnet session.

- 1 Open the system (DOS) prompt window by clicking on Windows **START** button and select **"Run..."**. Type "cmd" and press OK.
- 2 Type the following at the system (DOS) prompt:
 - c:\>telnet <IP address> or
 - c:\>telnet <host name>

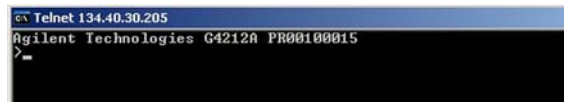


```
C:\WINDOWS\system32\cmd.exe
C:\>telnet 134.40.30.205
```

Figure 63 Telnet - Starting a session

where <IP address> may be the assigned address from a Bootp cycle, a configuration session with the Handheld Controller, or the default IP address (see "Configuration Switches" on page 335).

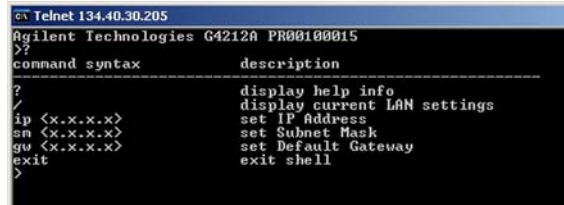
When the connection was established successfully, the module responds with the following:



```
Telnet 134.40.30.205
Agilent Technologies G4212A PR00100015
>
_
```

Figure 64 A connection to the module is made

- 3 Type `?` and press enter to see the available commands.



```

c:\ Telnet 134.40.30.205
Agilent Technologies G4212A PR00100015
>?
-----
command syntax      description
-----
?                   display help info
/                   display current LAN settings
ip <x.x.x.x>         set IP Address
sn <x.x.x.x>         set Subnet Mask
gw <x.x.x.x>         set Default Gateway
exit               exit shell
>

```

Figure 65 Telnet Commands

Table 31 Telnet Commands

Value	Description
?	displays syntax and descriptions of commands
/	displays current LAN settings
ip <x.x.x.x>	sets new ip address
sn <x.x.x.x>	sets new subnet mask
gw <x.x.x.x>	sets new default gateway
exit	exits shell and saves all changes

- 4 To change a parameter follows the style:

- parameter value, for example:
`ip 134.40.28.56`

Then press [Enter], where parameter refers to the configuration parameter you are defining, and value refers to the definitions you are assigning to that parameter. Each parameter entry is followed by a carriage return.

- 5 Use the "/" and press Enter to list the current settings.

```

c> Telnet 134.40.30.205
>/
LAN Status Page
-----
MAC Address   : 0030D317521C
Init Mode     : Using Stored
TCP/IP Properties
- active -
IP Address    : 134.40.30.205
Subnet Mask   : 255.255.248.0
Def. Gateway  : 134.40.24.1
-----
TCP/IP Status : Ready
Controllers   : no connections
>_

```

Figure 66 Telnet - Current settings in "Using Stored" mode

information about the LAN interface
MAC address, initialization mode
Initialization mode is Using Stored
active TCP/IP settings

TCP/IP status - here ready
connected to PC with controller software (e.g. Agilent
ChemStation), here not connected

- 6 Change the IP address (in this example 192.168.254.12) and type "/" to list current settings.

```

c> Telnet 134.40.30.205
>ip 192.168.254.12
>/
LAN Status Page
-----
MAC Address   : 0030D317521C
Init Mode     : Using Stored
TCP/IP Properties
- active -
IP Address    : 134.40.30.205
Subnet Mask   : 255.255.248.0
Def. Gateway  : 134.40.24.1
- stored -
IP Address    : 192.168.254.12
Subnet Mask   : 255.255.248.0
Def. Gateway  : 134.40.24.1
-----
TCP/IP Status : Ready
Controllers   : no connections
>_

```

Figure 67 Telnet - Change IP settings

change of IP setting to
Initialization mode is Using Stored

active TCP/IP settings

stored TCP/IP settings in non-volatile memory

connected to PC with controller software (e.g. Agilent
ChemStation), here not connected

- 7 When you have finished typing the configuration parameters, type **exit** and press **Enter** to exit with storing parameters.

```

c> C:\WINDOWS\system32\cmd.exe
Agilent Technologies G4212A PR00100015
>exit

Connection to host lost.
C:\>_

```

Figure 68 Closing the Telnet Session

NOTE

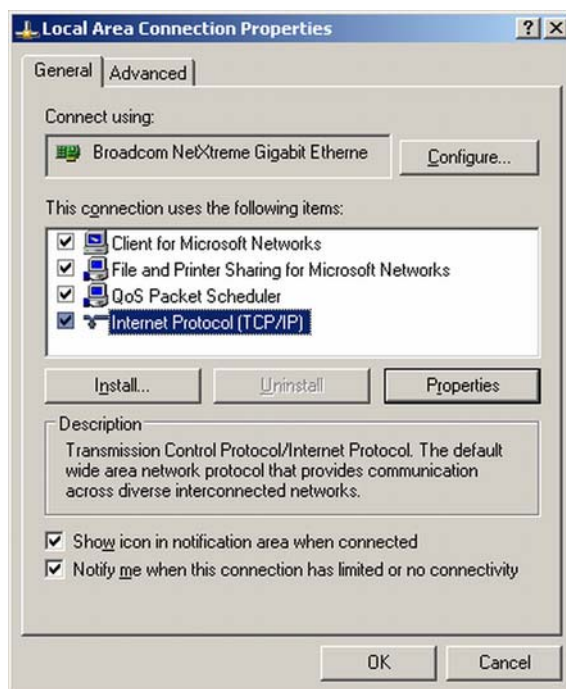
If the Initialization Mode Switch is changed now to "Using Stored" mode, the instrument will take the stored settings when the module is re-booted. In the example above it would be 192.168.254.12.

PC and Agilent ChemStation Setup

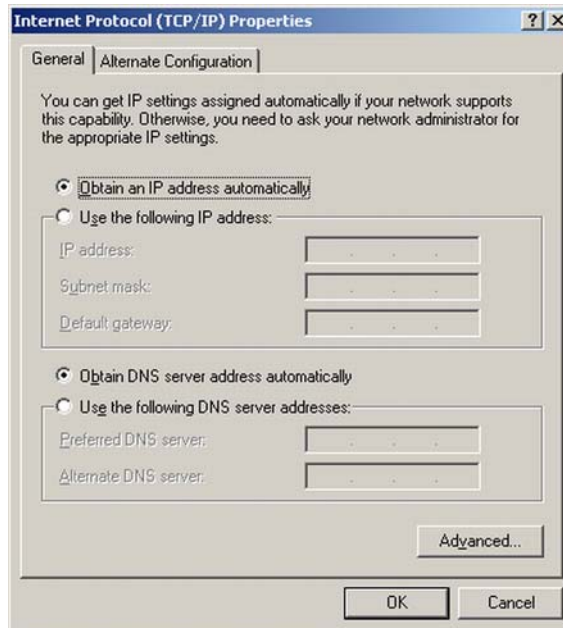
PC Setup for Local Configuration

This procedure describes the change of the TCP/IP settings on your PC to match the module's default parameters in a local configuration (see [Table 28](#) on page 337).

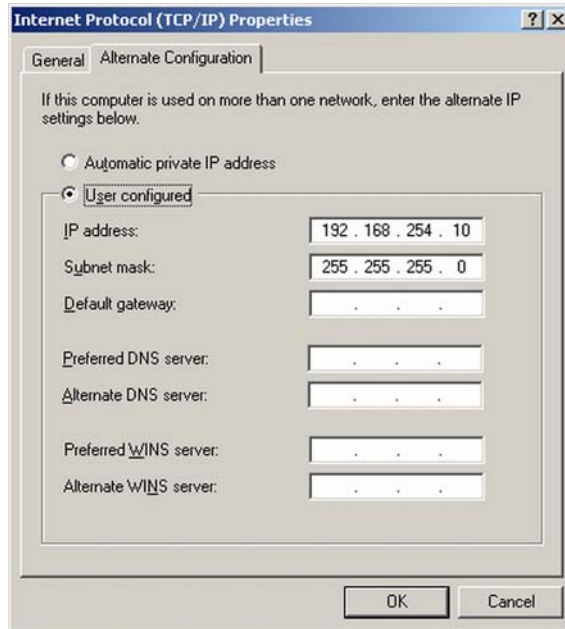
- 1 Open the Local Area Connection Properties and select **Internet Protocol (TCP/IP)**. Then click on **Properties**.



- 2 You may enter here the fixed IP address of the module or use the **Alternative Configuration**.



- 3 We will use the direct LAN access via Cross-over LAN cable with the module's IP address.



- 4 Click on **OK** to save the configuration.

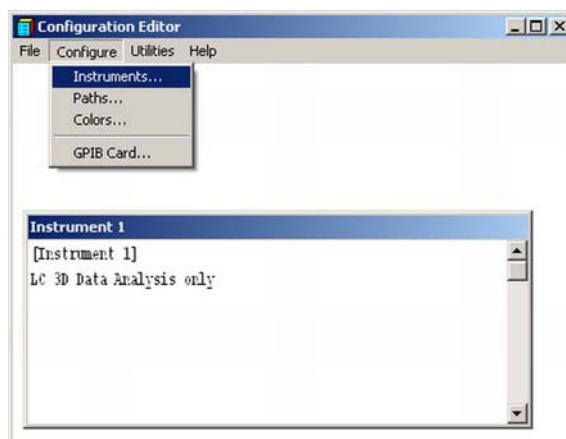
Agilent ChemStation Setup

This procedure describes the Agilent ChemStation B.04.02 setup for the 1290 Infinity system using the 1290 Infinity DAD (G4212A) as the interfacing module. The setup works in the same way for all other systems.

NOTE

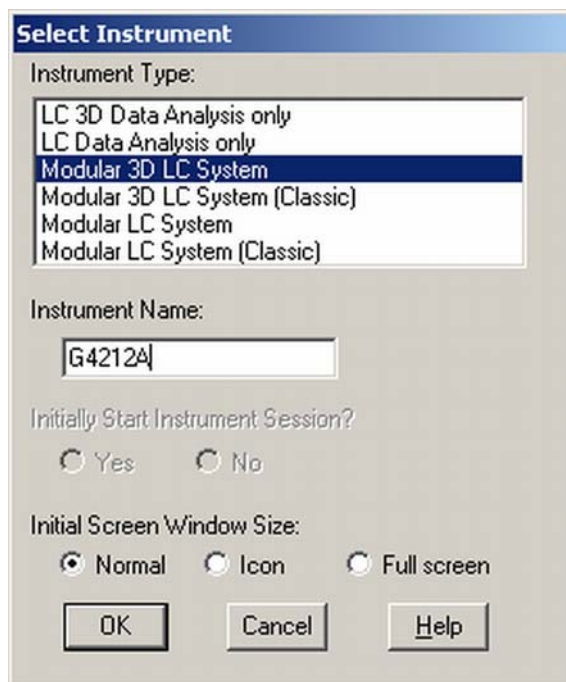
The LAN must be connected to detector due to high data load on communication to Control Software.

- 1 Open the ChemStation Configuration Editor.

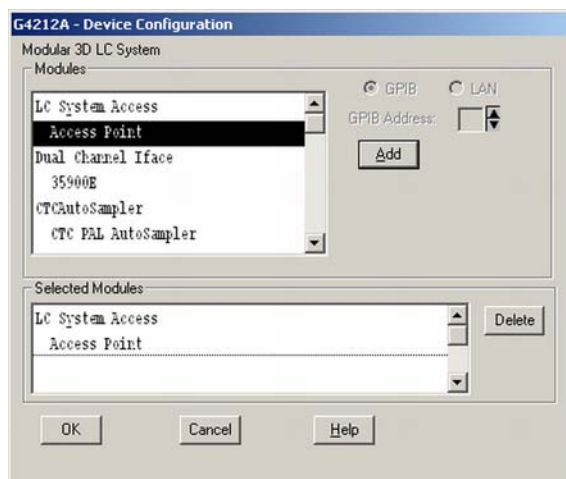


- 2 Select from the menu **Configure - Instruments**.
- 3 Select **Modular 3D LC System**.
- 4 Give the Instrument a name.

- Click on **OK**.

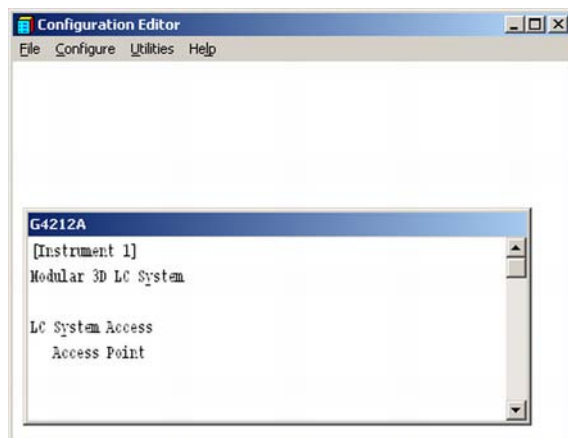


- Select **LC System Access – Access Point** and click on **Add**.

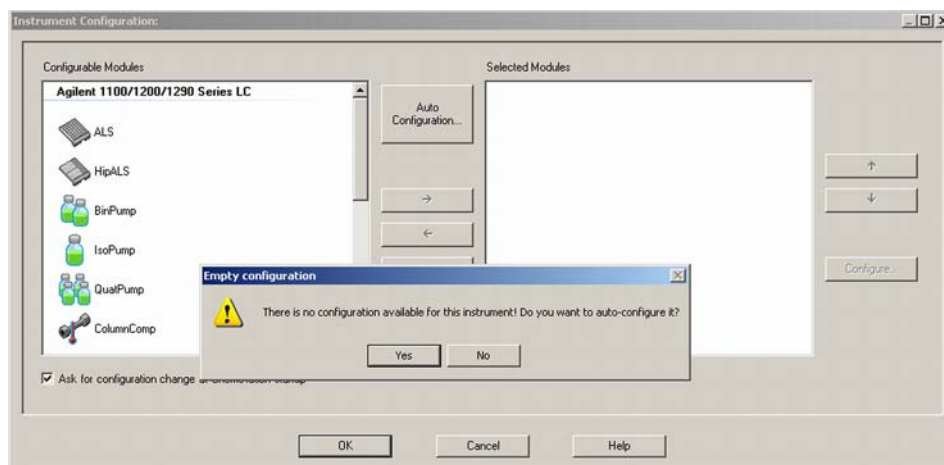


- Click on **OK**.
The Configuration Editor shows now the new instrument.

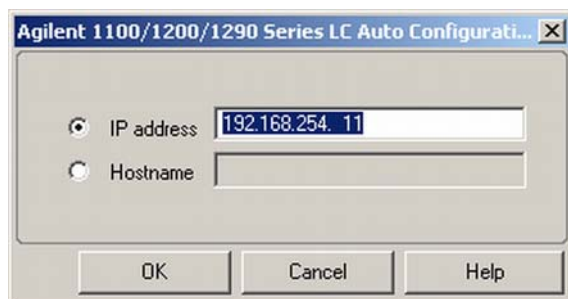
- 8 If required, change under **Configure – Path** the folder locations.
- 9 Save the current configuration via **File – Save**.



- 10 Exit the Configuration Editor.
- 11 Start the Agilent ChemStation.
During first startup or when the system configuration has changed, a notification shows up.
- 12 The left column shows the modules that could be configured. You may select the module manually from the list. We use the Auto Configuration mode. Click on **Yes**.



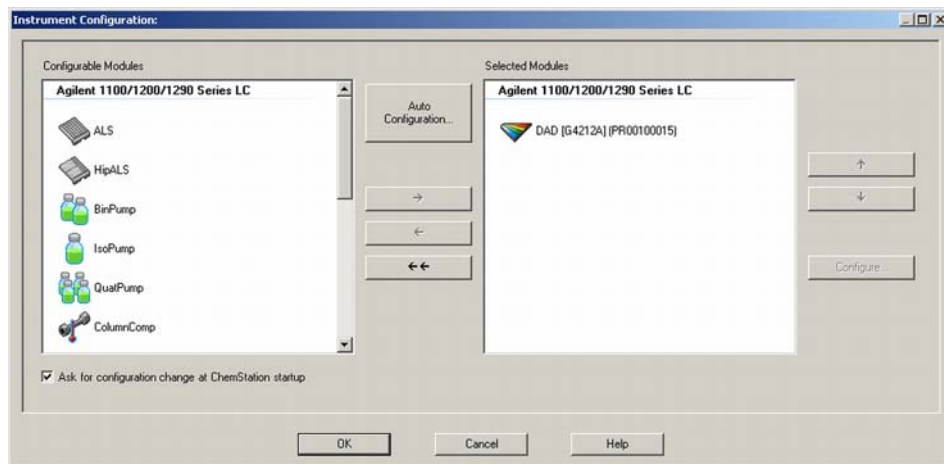
- 13 Enter the IP address or the Hostname of the module with the LAN-access.



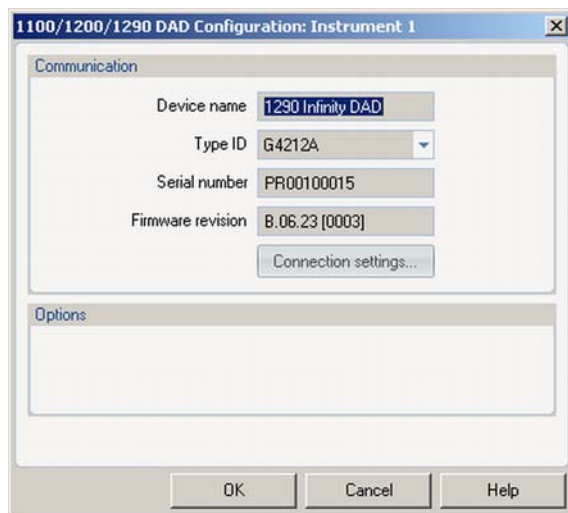
- 14 Click on **OK**.

The selected module is shown now in the right window (with serial number). In addition all other modules connected via CAN to the detector are shown as well.

- 15 Click on **OK** to continue the ChemStation loading.



- 16 You may see the details of the module by **selecting the module** and clicking on **Configure**.



Under **Connection Settings** you may change the IP/Hostname of the module (may require a re-start of the ChemStation).

After successful load of the ChemStation, you should see the module(s) as active item in the graphical user interface (GUI).

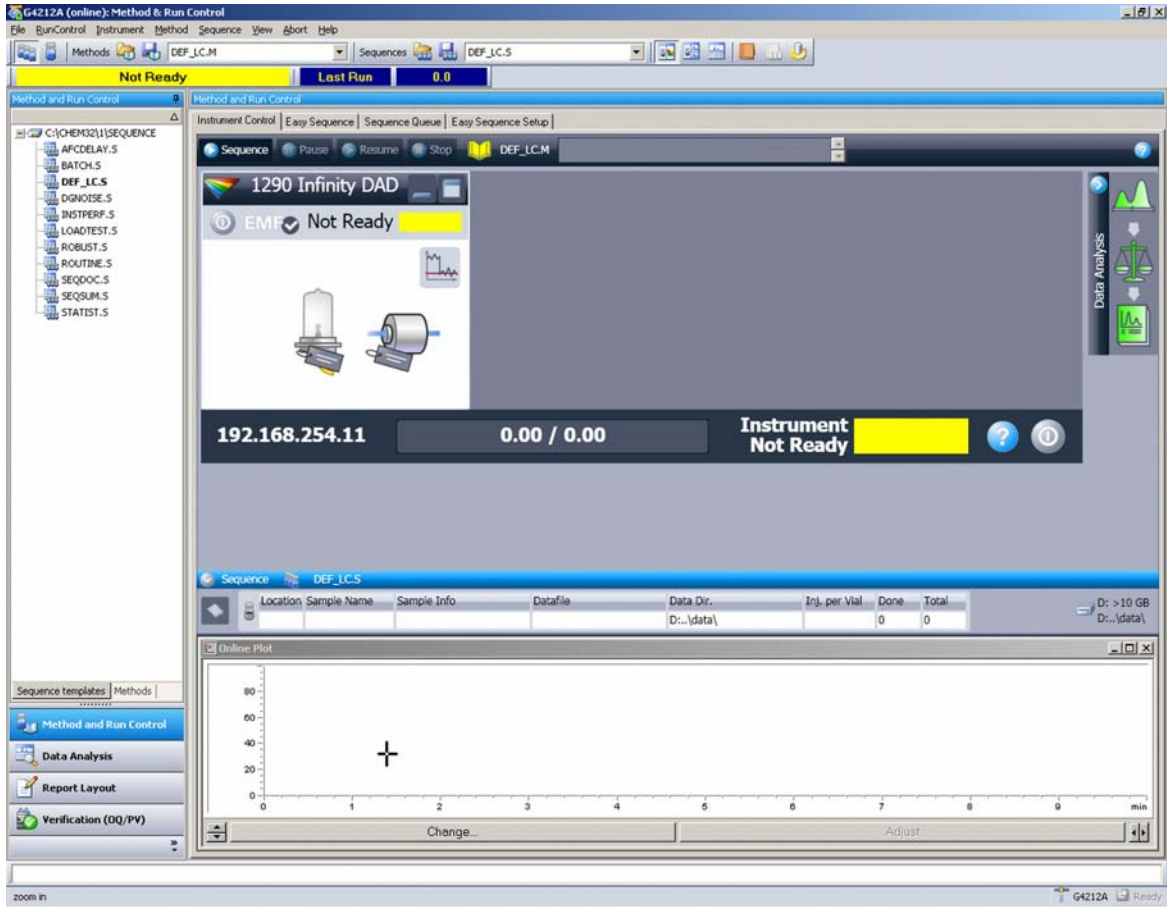


Figure 69 Screen After Successful Load of ChemStation

General Safety Information	355
General Safety Information	355
Safety Standards	355
General	355
Before Applying Power	356
Ground the Instrument	356
Do Not Operate in an Explosive Atmosphere	357
Do Not Remove the Instrument Cover	357
Do Not Modify the Instrument	357
In Case of Damage	357
Solvents	358
Symbols	359
Waste Electrical and Electronic Equipment (WEEE) Directive	361
Refrigerant	362
Radio Interference	365
Sound Emission	366
Solvent Information	367
Agilent Technologies on Internet	368

This chapter provides additional information on safety, legal and web.

General Safety Information

General Safety Information

The following general safety precautions must be observed during all phases of operation, service, and repair of this instrument. Failure to comply with these precautions or with specific warnings elsewhere in this manual violates safety standards of design, manufacture, and intended use of the instrument. Agilent Technologies assumes no liability for the customer's failure to comply with these requirements.

WARNING

Ensure the proper usage of the equipment.

The protection provided by the equipment may be impaired.

- ✓ **The operator of this instrument is advised to use the equipment in a manner as specified in this manual.**

Safety Standards

This is a Safety Class I instrument (provided with terminal for protective earthing) and has been manufactured and tested according to international safety standards.

General

Do not use this product in any manner not specified by the manufacturer. The protective features of this product may be impaired if it is used in a manner not specified in the operation instructions.

Before Applying Power

WARNING

Wrong voltage range, frequency or cabling
Personal injury or damage to the instrument

- ✓ Verify that the voltage range and frequency of your power distribution matches to the power specification of the individual instrument.
- ✓ Never use cables other than the ones supplied by Agilent Technologies to ensure proper functionality and compliance with safety or EMC regulations.
- ✓ Make all connections to the unit before applying power.

NOTE

Note the instrument's external markings described under "Symbols" on page 359.

Ground the Instrument

WARNING

Missing electrical ground
Electrical shock

- ✓ If your product is provided with a grounding type power plug, the instrument chassis and cover must be connected to an electrical ground to minimize shock hazard.
- ✓ The ground pin must be firmly connected to an electrical ground (safety ground) terminal at the power outlet. Any interruption of the protective (grounding) conductor or disconnection of the protective earth terminal will cause a potential shock hazard that could result in personal injury.

Do Not Operate in an Explosive Atmosphere

WARNING

Presence of flammable gases or fumes

Explosion hazard

- ✓ Do not operate the instrument in the presence of flammable gases or fumes.
-

Do Not Remove the Instrument Cover

WARNING

Instrument covers removed

Electrical shock

- ✓ Do Not Remove the Instrument Cover
 - ✓ Only Agilent authorized personnel are allowed to remove instrument covers. Always disconnect the power cables and any external circuits before removing the instrument cover.
-

Do Not Modify the Instrument

Do not install substitute parts or perform any unauthorized modification to the product. Return the product to an Agilent Sales and Service Office for service and repair to ensure that safety features are maintained.

In Case of Damage

WARNING

Damage to the module

Personal injury (for example electrical shock, intoxication)

- ✓ Instruments that appear damaged or defective should be made inoperative and secured against unintended operation until they can be repaired by qualified service personnel.
-

Solvents

WARNING

Toxic, flammable and hazardous solvents, samples and reagents

The handling of solvents, samples and reagents can hold health and safety risks.

- ✓ When working with these substances observe appropriate safety procedures (for example by wearing goggles, safety gloves and protective clothing) as described in the material handling and safety data sheet supplied by the vendor, and follow good laboratory practice.
- ✓ Do not use solvents with an auto-ignition temperature below 200 °C (392 °F). Do not use solvents with a boiling point below 56 °C (133 °F).
- ✓ Avoid high vapor concentrations. Keep the solvent temperature at least 40 K below the boiling point of the solvent used. This includes the solvent temperature in the sample compartment. For the solvents methanol and ethanol keep the solvent temperature at least 25 K below the boiling point.
- ✓ Do not operate the instrument in an explosive atmosphere.
- ✓ Do not use solvents of ignition Class IIC according IEC 60079-20-1 (for example, carbon disulfide).
- ✓ Reduce the volume of substances to the minimum required for the analysis.
- ✓ Never exceed the maximum permissible volume of solvents (8 L) in the solvent cabinet. Do not use bottles that exceed the maximum permissible volume as specified in the usage guideline for solvent cabinet.
- ✓ Ground the waste container.
- ✓ Regularly check the filling level of the waste container. The residual free volume in the waste container must be large enough to collect the waste liquid.
- ✓ To achieve maximal safety, regularly check the tubing for correct installation.

NOTE

For details, see the usage guideline for the solvent cabinet. A printed copy of the guideline has been shipped with the solvent cabinet, electronic copies are available in the Agilent Information Center or via the Internet.

Symbols

Table 32 Symbols














	The apparatus is marked with this symbol when the user shall refer to the instruction manual in order to protect risk of harm to the operator and to protect the apparatus against damage.
	Indicates dangerous voltages.
	Indicates a protected ground terminal.
	The apparatus is marked with this symbol when hot surfaces are available and the user should not touch it when heated up.
	Sample Cooler unit is designed as vapor-compression refrigeration system. Contains fluorinated greenhouse gas (refrigerant) according to the Kyoto protocol. For specifications of refrigerant, charge capacity, carbon dioxide equivalent (CDE), and global warming potential (GWP) see instrument label.
	Flammable Material For Sample Thermostat which uses flammable refrigerant consult Agilent Information Center / User Manual before attempting to install or service this equipment. All safety precautions must be followed.
	Confirms that a manufactured product complies with all applicable European Community directives. The European Declaration of Conformity is available at: http://regulations.corporate.agilent.com/DoC/search.htm
	Manufacturing date.
	Power symbol indicates On/Off. The apparatus is not completely disconnected from the mains supply when the power switch is in the Off position
	Pacemaker Magnets could affect the functioning of pacemakers and implanted heart defibrillators. A pacemaker could switch into test mode and cause illness. A heart defibrillator may stop working. If you wear these devices keep at least 55 mm distance to magnets. Warn others who wear these devices from getting too close to magnets.

Table 32 Symbols

	<p>Magnetic field</p> <p>Magnets produce a far-reaching, strong magnetic field. They could damage TVs and laptops, computer hard drives, credit and ATM cards, data storage media, mechanical watches, hearing aids and speakers. Keep magnets at least 25 mm away from devices and objects that could be damaged by strong magnetic fields.</p>
	Indicates a pinching or crushing hazard
	Indicates a piercing or cutting hazard.

WARNING

A WARNING

alerts you to situations that could cause physical injury or death.

- ✓ Do not proceed beyond a warning until you have fully understood and met the indicated conditions.

CAUTION

A CAUTION

alerts you to situations that could cause loss of data, or damage of equipment.

- ✓ Do not proceed beyond a caution until you have fully understood and met the indicated conditions.

Waste Electrical and Electronic Equipment (WEEE) Directive

This product complies with the European WEEE Directive marking requirements. The affixed label indicates that you must not discard this electrical/electronic product in domestic household waste.



NOTE

Do not dispose of in domestic household waste

To return unwanted products, contact your local Agilent office, or see <http://www.agilent.com> for more information.

Refrigerant

The refrigerant HFC-134a is used only in the Agilent Infinity II Sample Cooler.

Table 33 Physical properties of refrigerant HFC-134a

Molecular weight	102
Critical temperature	101.1 °C
Critical pressure	40.6 bar
Boiling point	-26.5 °C

Table 34 Physical properties of refrigerant R600a (isobutane)

Molecular weight	58.12
Critical temperature	134.98 °C
Critical pressure	36.6 bar
Boiling point	-11.7 °C

WARNING

Refrigerant



Refrigerant HFC-134a is known as a safe refrigerant, however accidents can occur if it is handled incorrectly. For this reason, the following instructions must be observed:

- ✓ Avoid contact with liquid refrigerant HFC-134a. At atmospheric pressure HFC-134a evaporates at approximately -26 °C and causes frost bite.
 - ✓ After skin contact, rinse the affected area with water.
 - ✓ After eye contact, rinse the eye(s) with plenty of water for at least 15 minutes and consult a doctor.
 - ✓ HFC-134a must not be allowed to escape in enclosed areas. Although HFC-134a is not toxic, there is a danger of suffocation as gaseous refrigerant is heavier than air.
 - ✓ Please observe the following first aid instructions. After inhalation, move the affected person to fresh air, keep him warm and allow him to rest. If necessary, he should be supplied with oxygen. If he has stopped breathing or is breathing erratically, he should be given artificial respiration. In the case of cardiac arrest, carry out heart massage. Send for a doctor immediately.
 - ✓ Moreover, it must be noted that HFC-134a must always be extracted from the system and collected. It must never be discharged into the atmosphere on environmental grounds (greenhouse effect).
-

CAUTION**General hazards and improper disposal**

Improper disposal of the media and components used pollutes the environment.

- ✓ The disposal or scrapping of the Sample Cooler or the Sample Thermostat must be carried out by a qualified disposal company.
 - ✓ All media must be disposed of in accordance with national and local regulations.
 - ✓ Please contact your local Agilent Service Center in regard to safe environmental disposal of the appliance or check www.agilent.com for more info.
-

CAUTION**Risk of fire or explosion**

- ✓ Dispose of properly in accordance with federal or local regulations. Flammable Refrigerant Used.
 - ✓ Do not dispose of in domestic household waste.
 - ✓ To return unwanted products, contact your local Agilent office, or see <http://www.agilent.com> for more information.
-

Radio Interference

Never use cables other than the ones supplied by Agilent Technologies to ensure proper functionality and compliance with safety or EMC regulations.

Test and Measurement

If test and measurement equipment is operated with equipment unshielded cables and/or used for measurements on open set-ups, the user has to assure that under operating conditions the radio interference limits are still met within the premises.

Sound Emission

Manufacturer's Declaration

This statement is provided to comply with the requirements of the German Sound Emission Directive of 18 January 1991.

This product has a sound pressure emission (at the operator position) < 70 dB.

- Sound Pressure $L_p < 70$ dB (A)
- At Operator Position
- Normal Operation
- According to ISO 7779:1988/EN 27779/1991 (Type Test)

Solvent Information

Observe the following recommendations on the use of solvents.

- Brown glass ware can avoid growth of algae.
- Avoid the use of the following steel-corrosive solvents:
 - solutions of alkali halides and their respective acids (for example, lithium iodide, potassium chloride, and so on),
 - high concentrations of inorganic acids like sulfuric acid and nitric acid, especially at higher temperatures (if your chromatography method allows, replace by phosphoric acid or phosphate buffer which are less corrosive against stainless steel),
 - halogenated solvents or mixtures which form radicals and/or acids, for example:
$$2\text{CHCl}_3 + \text{O}_2 \rightarrow 2\text{COCl}_2 + 2\text{HCl}$$

This reaction, in which stainless steel probably acts as a catalyst, occurs quickly with dried chloroform if the drying process removes the stabilizing alcohol,
 - chromatographic grade ethers, which can contain peroxides (for example, THF, dioxane, diisopropyl ether) should be filtered through dry aluminium oxide which adsorbs the peroxides,
 - solvents containing strong complexing agents (e.g. EDTA),
 - mixtures of carbon tetrachloride with 2-propanol or THF.
- Avoid the use of dimethyl formamide (DMF). Polyvinylidene fluoride (PVDF), which is used in leak sensors, is not resistant to DMF.

Agilent Technologies on Internet

For the latest information on products and services visit our worldwide web site on the Internet at:

<http://www.agilent.com>

In This Book

This manual contains technical reference information about the Agilent 1260 Infinity II Vialsampler (G7129A), the Agilent 1290 Infinity II Vialsampler (G7129B), and the Agilent 1260 Infinity II Vialsampler (G7129C).

The manual describes the following:

- Introduction,
- site requirements and specifications,
- using the module,
- optimizing performance,
- troubleshooting and diagnostics,
- error information,
- maintenance,
- parts and materials,
- hardware information,
- LAN configuration,
- safety and related information.

www.agilent.com

© Agilent Technologies Inc. 2015-2020

Published in Germany
04/2020



Part No: G7129-90010 Rev. E
Document No: SD-29000242 Rev. E

